

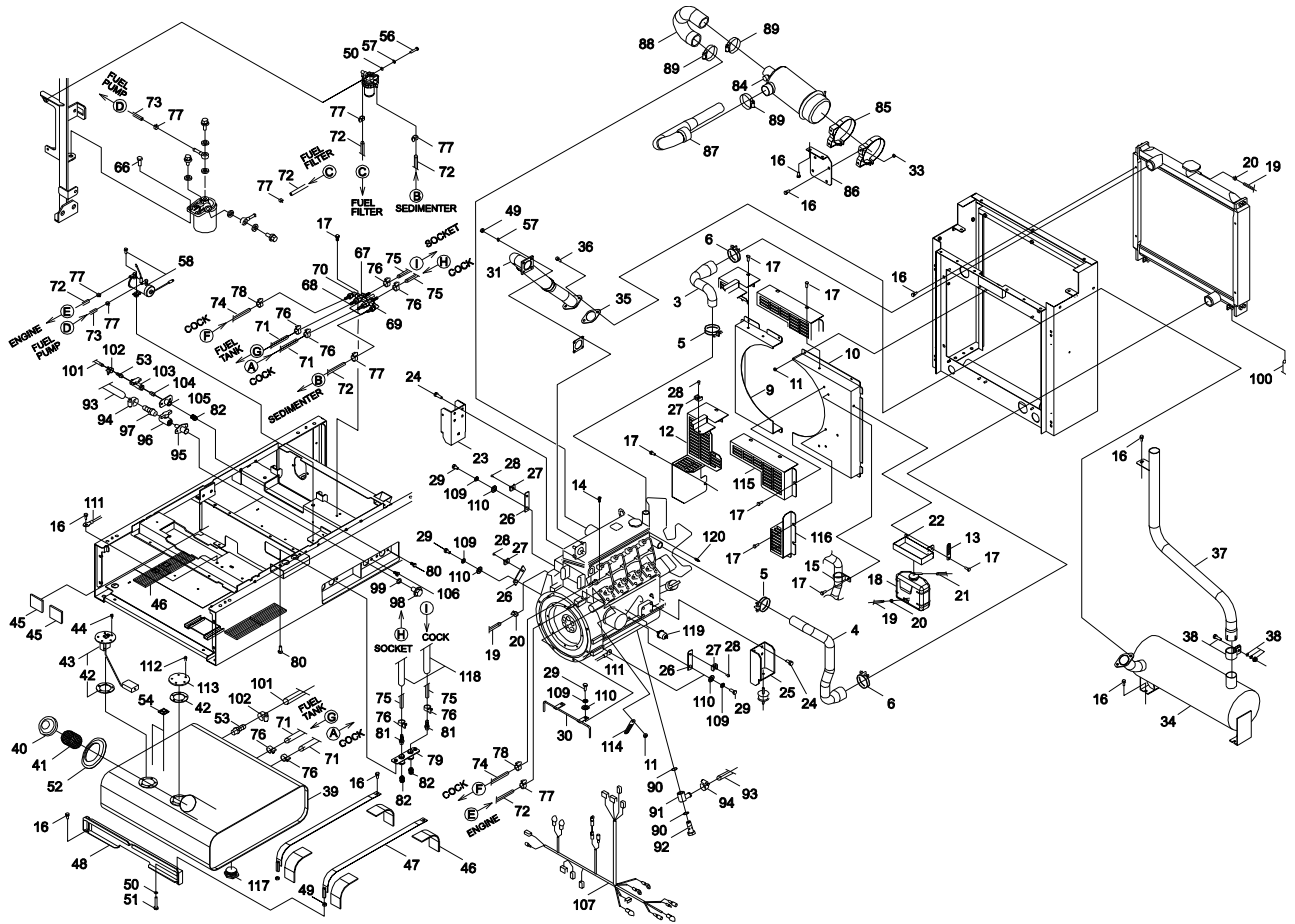
shindaiwa[®]

PARTS CATALOGUE

DGA20E

1. ENGINE, RADIATOR

DGA20E

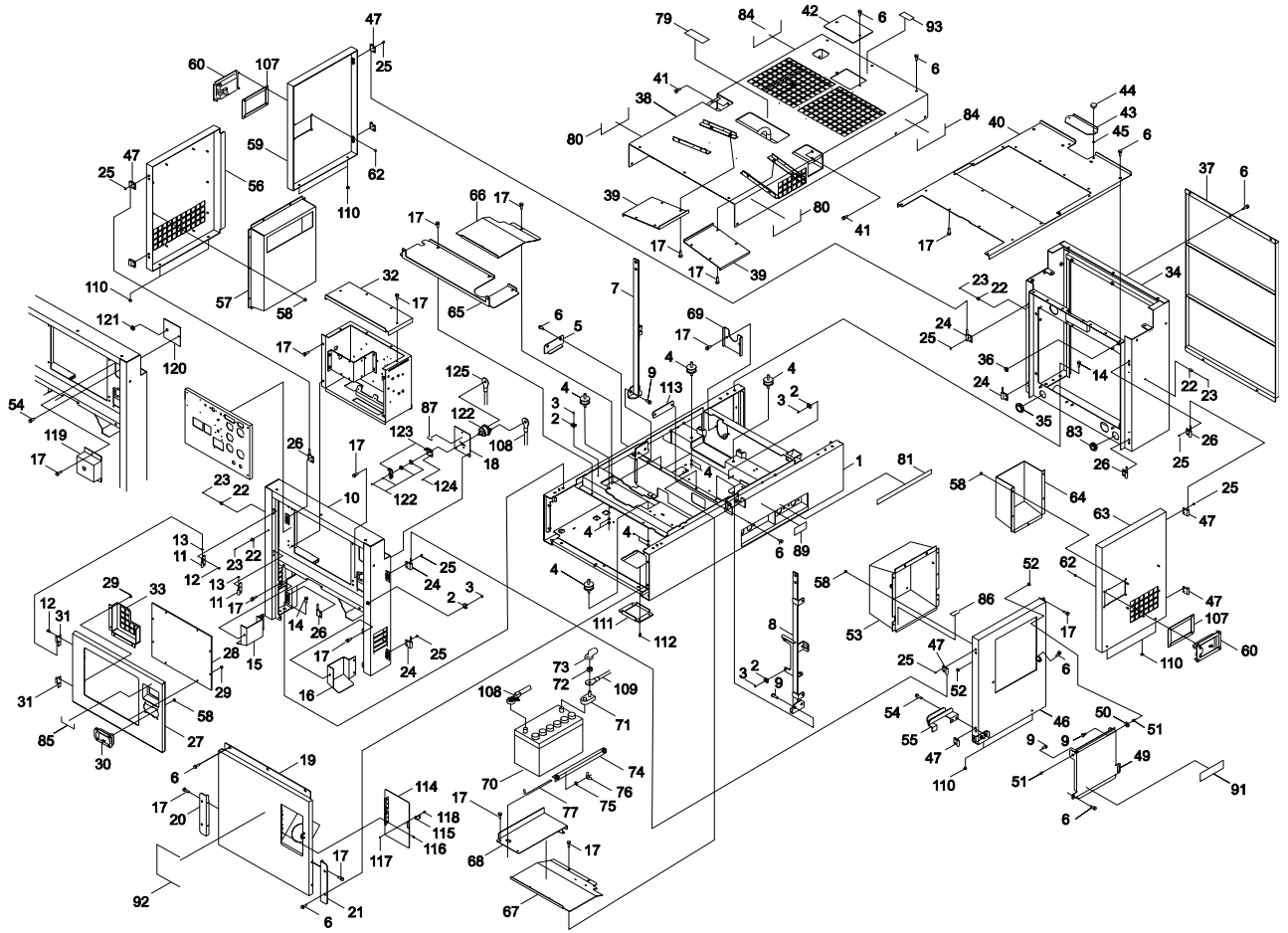


KEY	LV	PART NUMBER	Q'TY	DESCRIPTION	REMARKS	NOTE1	NOTE2
2		G203-000320	1	RADIATOR HOSE			
3		G203-000330	1	RADIATOR HOSE			
4		V495-001980	1	HOSE CLAMP			
5		V495-001990	2	HOSE CLAMP			
7		G200-000180	1	RADIATOR	オイル° レッシャU取付		
9		G202-000230	1	DUCT,RADIATOR			
10		G202-000240	1	DUCT,RADIATOR			
11		V264-000220	9	FLANGE NUT			
12		A172-002440	1	COVER,FAN			
13		V490-000810	1	CORD CLAMP			
14		91564-04012	1	SCREW SW			
15		V490-000820	1	CORD CLAMP			
16		V205-001170	20	BOLT,8	M8*20-SPW		
17		V204-001090	14	BOLT FT SW			
18		G125-000150	1	SUB TANK			
19		K400-001810	2	HOSE			
20		V495-001810	3	HOSE CLAMP			
21		K400-001900	1	HOSE			
22		G126-000400	1	BRACKET,TANK			
23		G121-000440	1	STAY,ENGINE			
24		91022-10020	8	BOLT SW			
25		G121-000450	1	STAY,ENGINE			
26		C519-002450	3	STAY			
27		M416-000010	4	TIE MOUNT			
28		91343-05012	4	SCREW			
29		900100-10020	6	BOLT 10*20	10*20		
30		C519-005400	1	STAY			
31		G231-000410	1	FLEXIBLE TUBE			
33		V265-000290	4	FLANGE NUT			
34		G230-000150	1	MUFFLER			
35		V104-001700	1	GASKET			
36		900147-08030	2	BOLT, 8*30	8*30		
37		G231-000420	1	TAIL PIPE			
38		V495-002000	1	CLAMP			
39		G250-000280	1	FUEL TANK			
40		G255-000010	1	TANK CAP			
41		A369-000160	1	STRAINER			
42		K221-000030	2	PACKING			
43		E325-000070	1	FUEL GAUGE			
44		91031-05012	5	BOLT SW			
45		V420-003020	2	PAD			
46		V420-003030	8	PAD			
47		A392-000260	2	BAND,FUEL TANK			
48		A393-000240	1	BAN STAY			
49		900500-00008	6	NUT 8	8*P1.25		
50		900602-00008	3	WASHER 8	8.4*17*1.6		
51		900120-08050	2	BOLT 8*50	8*50		
52		V145-000320	1	TANK BUSH			
53		V187-000090	2	NIPPLE			
54		M416-000040	2	TIE MOUNT			
56		900100-08070	1	BOLT 8*70	8*70		
57		900605-00008	5	WASHER, SPRING 8	8		
58		G270-000050	1	FUEL PUMP			
66		91024-10035	2	BOLT	BM-10*35		
67		E265-000120	1	COCK			
68		V187-000100	2	NIPPLE			
69		E237-000140	1	ELBOW			
70		E237-000130	1	ELBOW			
71		K401-000530	2	HOSE			

KEY	LV	PART NUMBER	Q'TY	DESCRIPTION	REMARKS	NOTE1	NOTE2
72		K400-001880	3	HOSE			
73		K400-001530	1	HOSE			
74		K400-001910	1	HOSE			
75		V471-002920	2	HOSE			
76		V495-001660	8	HOSE CLAMP			
77		V495-001670	8	HOSE CLAMP			
78		V495-001800	2	CLIP			
79		C153-000170	1	SOCKET			
80		V205-001120	4	BOLT,8	BM-8*20 W SW		
81		V187-000110	2	NIPPLE			
82		E328-000110	3	DRAIN PLUG			
84		M609-000000	1	INDICATOR			
86		G211-000310	1	STAY,CLEANER			
87		G213-000190	1	AIR HOSE			
88		G213-000270	1	AIR HOSE			
89		V495-001820	3	HOSE CLAMP			
90		V581-000370	2	O RING			
91		K313-000030	1	SOCKET			
92		V242-000260	1	NIPPLE			
93		K405-000230	1	HOSE			
94		V495-001710	2	HOSE CLAMP			
95		C153-000180	1	SOCKET			
96		E265-000130	1	COCK			
97		V187-000130	1	NIPPLE			
98		E328-000120	1	DRAIN PLUG			
99		V581-000380	1	O RING			
100		K400-001920	1	HOSE			
101		K403-000040	1	HOSE			
102		V495-001720	2	HOSE CLAMP			
103		E265-000140	1	DRAIN COCK			
104		V187-000120	1	NIPPLE			
105		C153-000190	1	SOCKET			
106		V206-000580	2	BOLT,10	M10*25-SPW		
107		G360-000481	1	HARNESS,WIRE			
109		900605-00010	6	WASHER, SPRING 10	10		
110		900600-00010	6	WASHER 10	10		
111		M383-000240	1	LEAD			
112		V203-001730	5	BOLT SW			
113		K210-000080	1	PLATE			
114		V490-000830	1	CORD CLAMP			
115		A172-002450	1	COVER,FAN			
116		A172-002460	1	COVER,FAN			
117		V162-000530	1	PLUG			
118		V475-005730	2	TUBE			
120		G365-000040	1	GAUGE			

2. FRAME, COVER

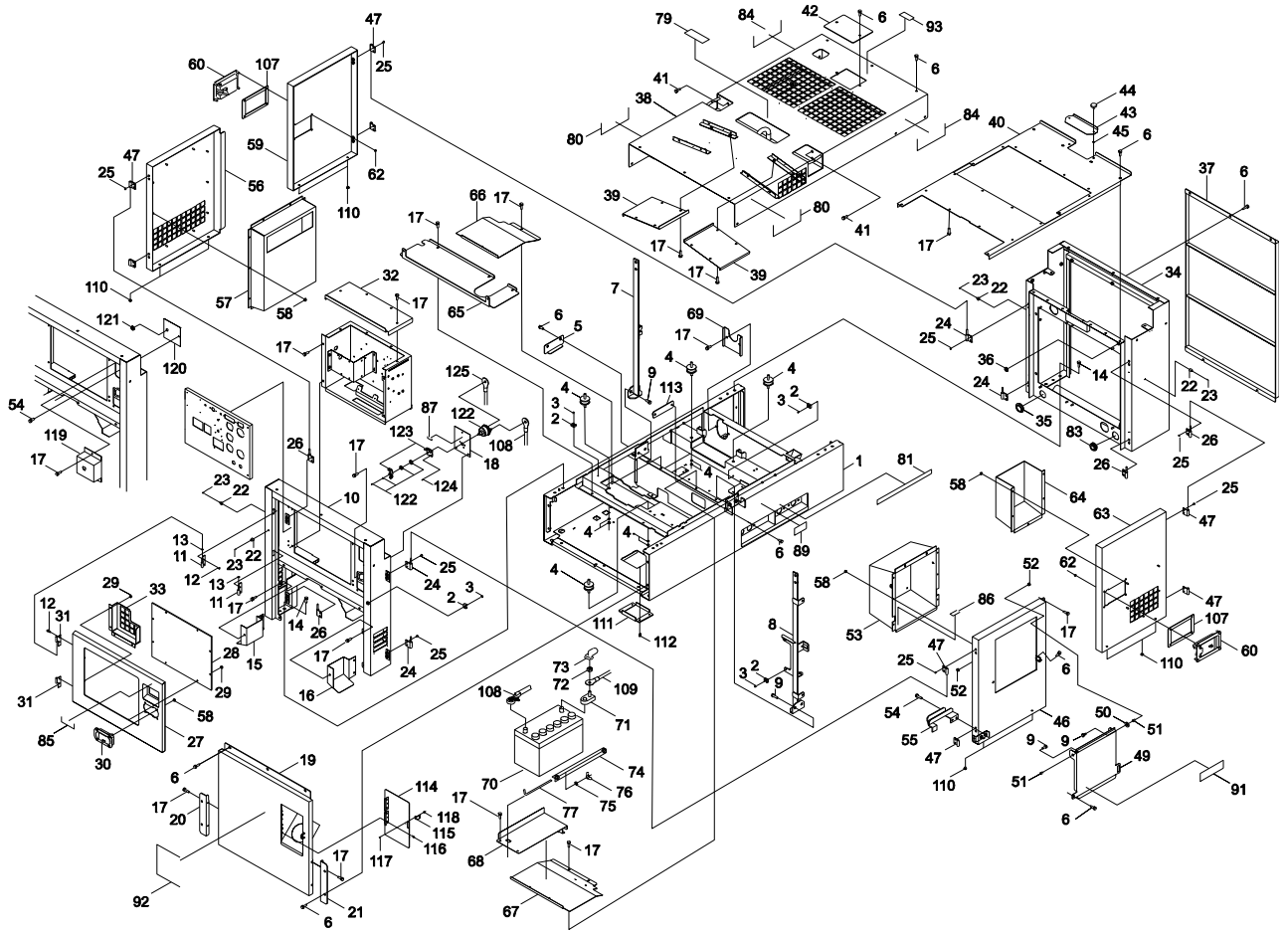
DGA20E



KEY	LV	PART NUMBER	Q'TY	DESCRIPTION	REMARKS	NOTE1	NOTE2
1		J405-003080	1	FRAME			
2		M416-000010	4	TIE MOUNT			
3		91343-05012	4	SCREW			
4		V404-000140	4	AV RUBBER			
5		J470-006030	1	COVER			
6		V205-001120	36	BOLT,8	BM-8*20 W SW		
7		J415-000570	1	STAY,BONNET			
8		J415-000580	1	STAY,BONNET			
9		91024-10030	6	BOLT	BM-10*30/W,SW		
10		J410-000690	1	FRONT COVER COMP			
11	+	J485-000240	2	HINGE			
12	+	900209-05010	4	SCREW, 5*10	5*10		
13		V375-000400	2	COLLAR			
14		900147-10020	8	BOLT	10*20 SW,W		
15		G122-001510	1	DUCT,AIR			
16		G122-001520	1	DUCT,AIR			
17		V204-001090	71	BOLT FT SW			
18		M470-001830	1	COVER			
19		J425-000920	1	FRONT PLATE			
20		J471-000380	1	BRACKET,COVER			
21		J471-000390	1	BRACKET,COVER			
22		V420-003070	4	STAND RUBBER			
23		91381-04020	4	SCREW TAPPING			
24		J485-000250	4	HINGE			
25		91083-08020	32	FLANGE BOLT			
26		J485-000260	4	HINGE			
27		M402-000040	1	FRONT DOOR			
28		J425-000740	1	PANEL			
29		V263-000330	12	FLANGE NUT			
30		C701-000420	1	LOCK COVER			
12		900209-05010	4	SCREW, 5*10	5*10		
31		J485-000270	2	HINGE			
32		M417-000190	1	COVER,BOX			
33		J465-000480	1	STAND			
34		J410-001870	1	BONNET			
35		V144-000430	1	GROMMET			
36		V144-000440	1	GROMMET			
37		M415-000360	1	REAR PLATE			
38		J410-000710	1	TOP COVER			
39		M418-000070	2	BAFFLE PLATE			
40		J480-000200	1	TOP PLATE			
41		91034-10030	4	BOLT SPW			
42		J480-000210	1	CHECK PLATE			
43		J480-000220	1	CHECK COVER			
44		V299-000480	2	KNOB COMP			
45		V583-000230	2	U RING			
46		M409-000030	1	SIDE DOOR			
47		J485-000280	8	HINGE			
49		M470-001850	1	COVER			
50		V420-003080	1	BUSH RUBBER			
51		V375-000410	2	COLLAR			
52		900500-00010	2	NUT 10	10*P1.5		
53		J430-001030	1	BOX,CONTROL			
54		V205-001170	3	BOLT,8	M8*20-SPW		
55		G257-000810	1	STOPPER			
56		M404-000440	1	LEFT DOOR FRONT			
57		G122-000490	1	DUCT			
58		V264-000220	27	FLANGE NUT			

2. FRAME, COVER

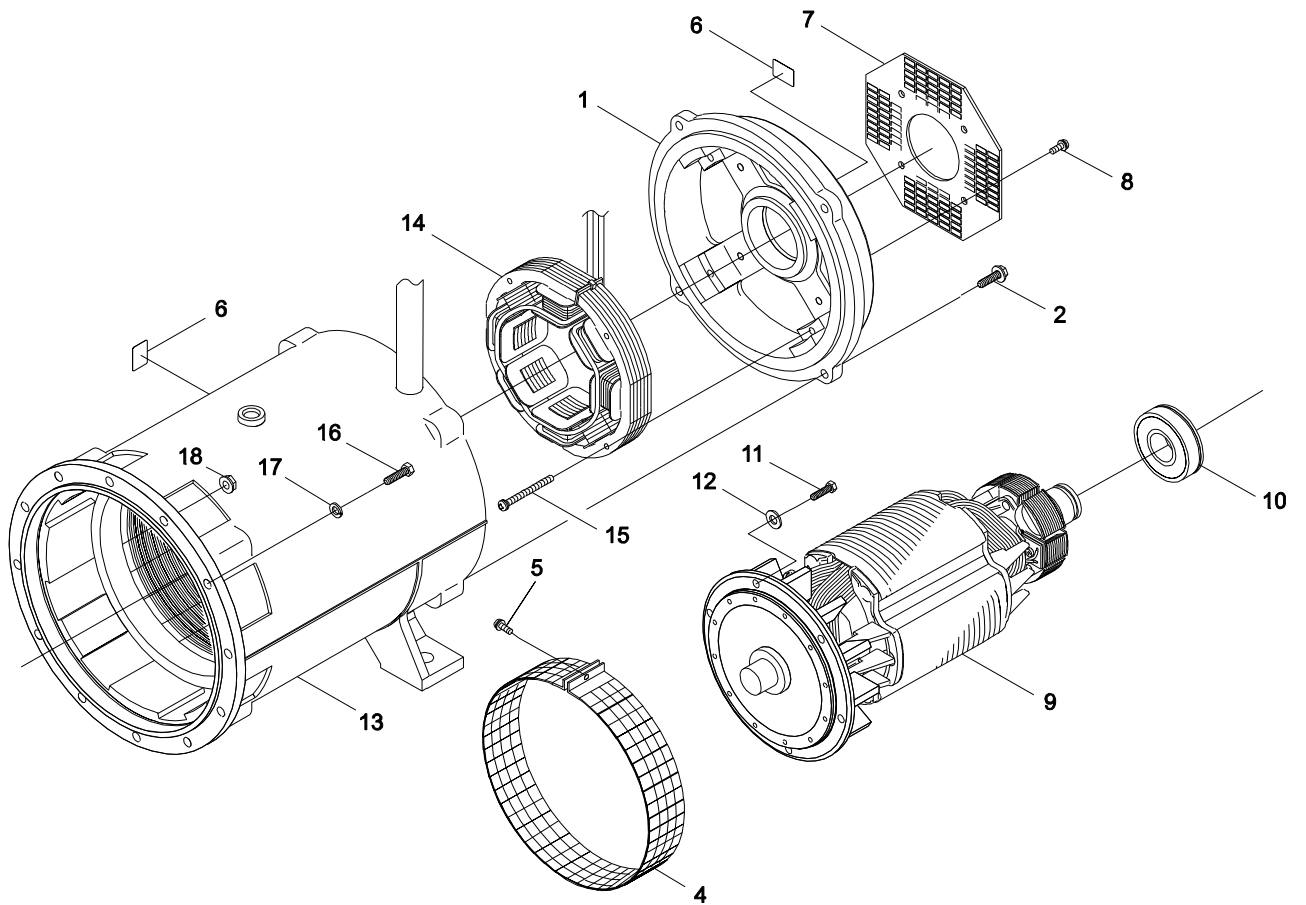
DGA20E



KEY	LV	PART NUMBER	Q'TY	DESCRIPTION	REMARKS	NOTE1	NOTE2
59		M404-000450	1	LEFT DOOR REAR			
60		C701-000440	2	LOCK COVER			
62		V265-000290	8	FLANGE NUT			
63		M406-001280	1	DOOR,RIGHT			
64		G122-000500	1	DUCT			
65		J470-002160	1	TANK COVER FRONT			
66		J470-006050	1	COVER			
67		J470-006060	1	COVER			
68		G300-000210	1	BASE,BATTERY			
69		A301-000070	1	PLATE,MUFFLER			
70		V481-000160	1	BATTERY 75D31R			
71		V486-000240	1	TERMINAL			
72		V265-000310	1	NUT			
73		G305-000030	1	TERMINAL CAP			
74		G303-000140	1	BATTERY STAY			
75		900602-00008	2	WASHER 8	8.4*17*1.6		
76		92190-08000	2	WING NUT			
77		V240-000140	2	BOLT BATTERY			
79		X505-004630	1	LABEL CAUTION			
80		X504-006550	2	LABEL,BRAND			
81		M704-000970	1	LABEL INST			
83		M602-000020	1	FLEXIBLE BUSH			
84		M705-000250	2	LABEL OUTPUT			
85		M707-000070	1	LABEL INST			
86		M704-001400	1	LABEL INST			
87		M707-000060	1	LABEL INST			
89		M704-000730	1	LABEL INST			
91		X505-004640	1	LABEL CAUTION			
92		X505-004660	1	LABEL CAUTION			
93		X505-004650	1	LABEL CAUTION			
107		V541-000350	2	SHEET			
108		M383-000000	1	LEAD WIRE			
109		M380-000030	1	LEAD WIRE			
110		V162-000520	8	PLUG			
111		J470-006420	1	COVER			
112		91143-06016	4	SCREW BUTTON			
113		J470-004480	1	COVER			
114		J470-002190	1	FUEL COVER			
115		C390-000010	1	TONGUE			
116		91564-04012	6	SCREW SW			
117		91341-03010	2	SCREW-SW	M3*10		
118		V261-000010	2	FLANGE NUT			
119		A472-000520	1	CASE,SWITCH			
120		M470-001840	1	COVER			
121		V145-000450	1	GROMMET			
122		G334-000860	1	BATTERY SWITCH			
123		J141-000110	1	SWITCH LEVER SET			
124		91568-05012	2	SCREW SLPW			
125		M383-000030	1	LEAD WIRE			

3. GENERATOR

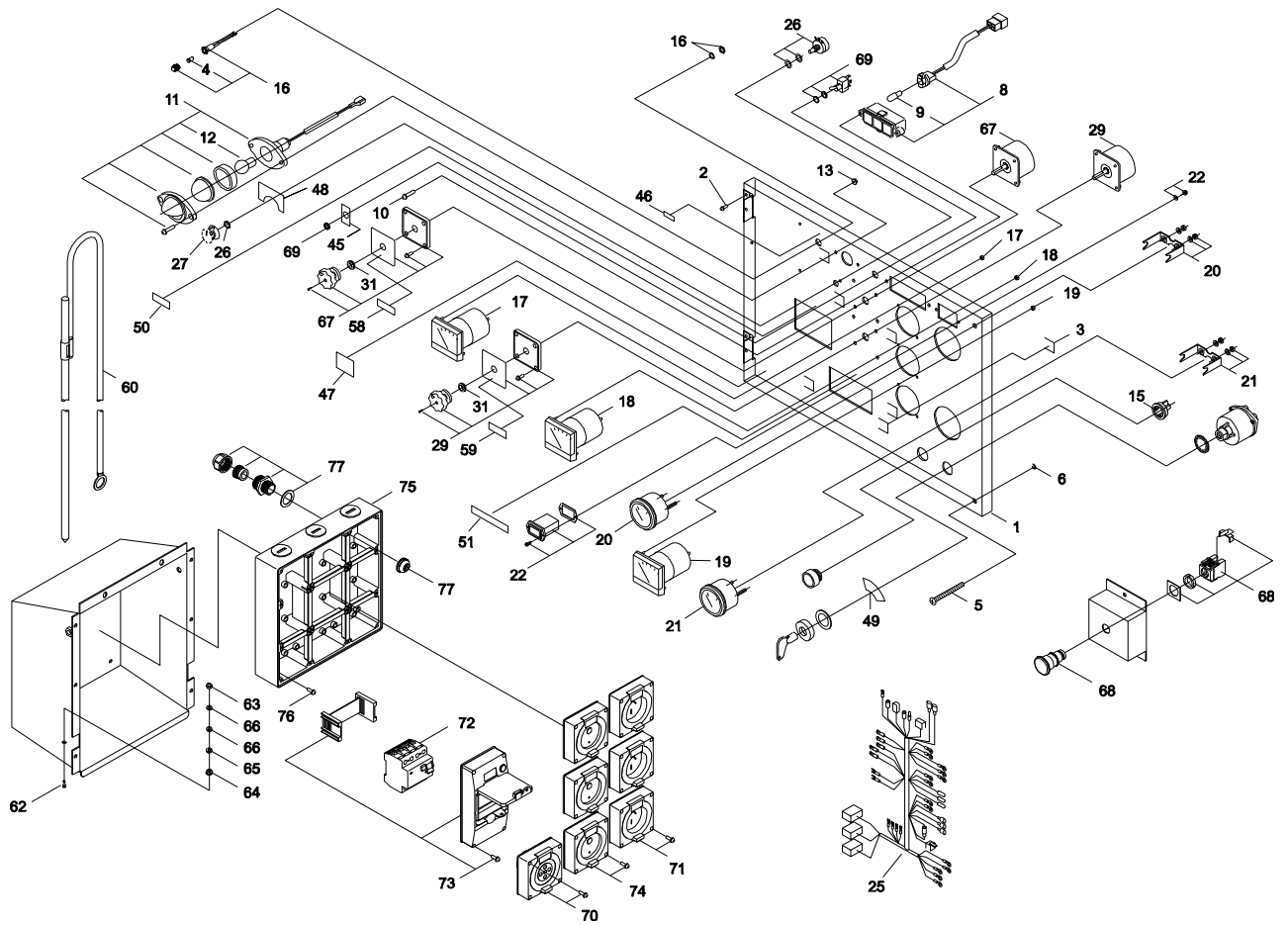
DGA20E



KEY	LV	PART NUMBER	Q'TY	DESCRIPTION	REMARKS	NOTE1	NOTE2
1		M305-000050	1	REAR BRACKET			
2		91022-10035	4	BOLT SW			
4		A172-001720	1	COVER,FAN			
5		91564-04030	1	SCREW SW			
6		M703-000020	2	LABEL THERMOMETER			
7		J470-004490	1	COVER			
8		91564-05010	4	SCREW SPW			
9		M102-000531	1	ROTOR			
10		V592-000170	1	BEARING			
11		91027-08030	8	BOLT			
12		900605-00008	8	WASHER, SPRING 8	8		
13		A041-000172	1	STATOR ASSEMBLY			
14		A041-000141	1	STATOR ASSEMBLY			
15		91564-05040	4	SCREW SW			
16		91027-10030	6	BOLT			
17		900605-00010	6	WASHER, SPRING 10	10		
18		V266-000130	2	FLANGE NUT			

4. CONTROL PANEL

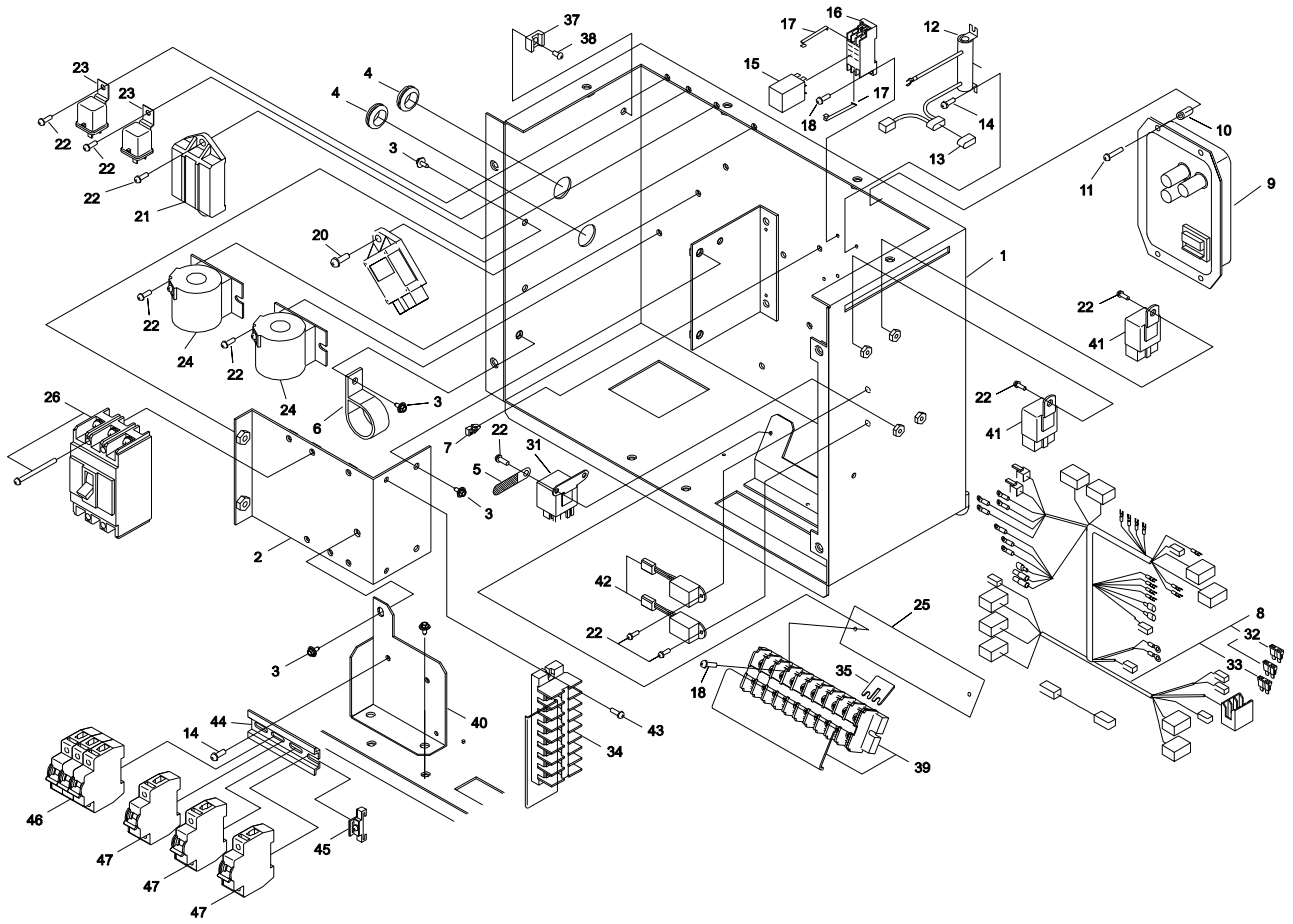
DGA20E



KEY	LV	PART NUMBER	Q'TY	DESCRIPTION	REMARKS	NOTE1	NOTE2
1		C160-001490	1	PANEL,OPERATION			
2		91564-04010	6	SCREW SPW			
3		M416-000040	5	TIE MOUNT			
5		91318-06030	2	SCREW TRUSS			
6		V324-000010	2	WASHER			
8		G385-000040	1	MONITOR ASSY			
9	+	G328-000020	3	LAMP			
10		91374-04016	2	SCREW TAPPING			
11		M306-000010	1	PLATE LAMP SUB ASSY			
12	+	G328-000030	1	LAMP			
13		V262-000190	2	FLANGE NUT			
15		G328-000040	1	LAMP			
16		G327-000280	1	LAMP BRACKET ASSY			
4	+	G328-000060	1	LAMP			
17		M109-000140	1	METER (V)			
18		M109-000160	1	METER (A)			
19		M109-000120	1	METER			
20		M109-000210	1	METER (COOLANT TEMP)			
21		G318-000010	1	FUEL METER			
22		G319-000060	1	HOUR METER			
25		G362-001050	1	HARNESS,WIRE			
26		G314-000150	1	VARIABLE RESISTOR			
27		E145-000060	1	DIAL			
29		G334-001300	1	SWITCH			
31		V144-000530	2	GROMMET			
45		M704-000660	1	LABEL INST			
46		M704-000650	1	LABEL INST			
48		M704-000670	1	LABEL INST			
49		M704-000690	1	LABEL INST			
50		M704-000680	1	LABEL INST			
51		M707-000080	1	LABEL INST			
58		M707-000330	1	LABEL,INST			
59		M707-000320	1	LABEL,INST			
60		M310-000060	1	EARTH ROD			
62		91024-08040	1	BOLT SW			
63		900500-00008	1	NUT 8	8*P1.25		
64		V265-000290	1	FLANGE NUT			
65		900605-00008	1	WASHER, SPRING 8	8		
66		900602-00008	2	WASHER 8	8.4*17*1.6		
67		G334-001310	1	SWITCH			
68		G334-000770	1	BUTTON SWITCH			
69		A045-000510	1	TOGGLE SWITCH			
70		C154-000191	1	RECEPTACLE			
71		C154-000201	3	RECEPTACLE			
72		M111-001110	1	BREAKER	4RC440/30 4P4E		
73		A405-000000	1	BREAKER COVER			
74		M111-000440	3	SOCKET			
75		J430-000330	1	CONTROL BOX			
76		91564-04016	6	SCREW SPW			
77		V139-000040	3	CLAMP			

5. CONTROL BOX

DGA20E



KEY	LV	PART NUMBER	Q'TY	DESCRIPTION	REMARKS	NOTE1	NOTE2
1		J430-000340	1	CONTROL BOX			
2		C519-005410	1	STAY			
3		V204-001090	6	BOLT FT SW			
4		V144-000360	2	GROMMET			
5		V490-000810	1	CORD CLAMP			
6		V490-000840	1	CORD CLAMP			
7		M416-000000	5	BAND STOPPER			
8		G031-002320	1	WIRING HARNESS ASSY			
32	+	G350-000230	2	FUSE	10A		
33	+	G350-000240	1	FUSE			
9		G370-000510	1	PRINTED CIRCUIT			
10		V375-000420	4	COLLAR			
11		91461-04065	4	SCREW			
12		M110-000040	1	RESISTOR COMP			
13		G347-000020	1	DIODE			
14		V252-000550	6	SCREW TAPPING			
15		G343-000220	1	RELAY			
16		C153-000200	1	SOCKET			
17		C519-002640	2	STAY			
18		V252-000540	4	SCREW TAPPING			
20		91564-05016	1	SCREW SW			
21		G370-000500	1	CONTROLLER			
22		91568-05012	14	SCREW SLPW			
23		G343-000110	2	RELAY			
24		M108-000030	2	CT			
25		M702-000120	1	PAPER,INS			
26		M111-000460	1	BREAKER			
31		G343-000210	1	RELAY			
34		M308-000250	1	TERMINAL BLOCK			
35		V150-002600	1	BUS BAR			
37		M416-000010	1	TIE MOUNT			
38		91343-05012	1	SCREW			
39		M308-000310	1	TERMINAL BLOCK			
40		C519-002820	1	BREAKER STEY			
41		G343-000490	2	RELAY			
42		G370-000470	2	PRINT CIRCUIT			
43		91564-04016	2	SCREW SPW			
44		C607-000140	1	RAIL			
45		G257-000240	1	END PLATE			
46		M126-000000	1	BREAKER	4CB320/6 3P3E20A		
47		M126-000040	3	BREAKER			

Index

Patrs Number	Key No.	Patrs Number	Key No.	Patrs Number	Key No.
900100-08070	1 - 56	92190-08000	2 - 76	G202-000230	1 - 9
900100-10020	1 - 29	A041-000141	3 - 14	G202-000240	1 - 10
900120-08050	1 - 51	A041-000172	3 - 13	G203-000320	1 - 2
900147-08030	1 - 36	A045-000510	4 - 69	G203-000330	1 - 3
900147-10020	2 - 14	A172-001720	3 - 4	G211-000310	1 - 86
900209-05010	2 - 12	A172-002440	1 - 12	G213-000190	1 - 87
900209-05010	2 - 12	A172-002450	1 - 115	G213-000270	1 - 88
900500-00008	1 - 49	A172-002460	1 - 116	G230-000150	1 - 34
900500-00008	4 - 63	A301-000070	2 - 69	G231-000410	1 - 31
900500-00010	2 - 52	A369-000160	1 - 41	G231-000420	1 - 37
900600-00010	1 - 110	A392-000260	1 - 47	G250-000280	1 - 39
900602-00008	1 - 50	A393-000240	1 - 48	G255-000010	1 - 40
900602-00008	2 - 75	A405-000000	4 - 73	G257-000240	5 - 45
900602-00008	4 - 66	A472-000520	2 - 119	G257-000810	2 - 55
900605-00008	1 - 57	C153-000170	1 - 79	G270-000050	1 - 58
900605-00008	3 - 12	C153-000180	1 - 95	G300-000210	2 - 68
900605-00008	4 - 65	C153-000190	1 - 105	G303-000140	2 - 74
900605-00010	1 - 109	C153-000200	5 - 16	G305-000030	2 - 73
900605-00010	3 - 17	C154-000191	4 - 70	G314-000150	4 - 26
91022-10020	1 - 24	C154-000201	4 - 71	G318-000010	4 - 21
91022-10035	3 - 2	C160-001490	4 - 1	G319-000060	4 - 22
91024-08040	4 - 62	C390-000010	2 - 115	G327-000280	4 - 16
91024-10030	2 - 9	C519-002450	1 - 26	G328-000020	4 - 9
91024-10035	1 - 66	C519-002640	5 - 17	G328-000030	4 - 12
91027-08030	3 - 11	C519-002820	5 - 40	G328-000040	4 - 15
91027-10030	3 - 16	C519-005400	1 - 30	G328-000060	4 - 4
91031-05012	1 - 44	C519-005410	5 - 2	G334-000770	4 - 68
91034-10030	2 - 41	C607-000140	5 - 44	G334-000860	2 - 122
91083-08020	2 - 25	C701-000420	2 - 30	G334-001300	4 - 29
91143-06016	2 - 112	C701-000440	2 - 60	G334-001310	4 - 67
91318-06030	4 - 5	E145-000060	4 - 27	G343-000110	5 - 23
91341-03010	2 - 117	E237-000130	1 - 70	G343-000210	5 - 31
91343-05012	1 - 28	E237-000140	1 - 69	G343-000220	5 - 15
91343-05012	2 - 3	E265-000120	1 - 67	G343-000490	5 - 41
91343-05012	5 - 38	E265-000130	1 - 96	G347-000020	5 - 13
91374-04016	4 - 10	E265-000140	1 - 103	G350-000230	5 - 32
91381-04020	2 - 23	E325-000070	1 - 43	G350-000240	5 - 33
91461-04065	5 - 11	E328-000110	1 - 82	G360-000481	1 - 107
91564-04010	4 - 2	E328-000120	1 - 98	G362-001050	4 - 25
91564-04012	1 - 14	G031-002320	5 - 8	G365-000040	1 - 120
91564-04012	2 - 116	G121-000440	1 - 23	G370-000470	5 - 42
91564-04016	4 - 76	G121-000450	1 - 25	G370-000500	5 - 21
91564-04016	5 - 43	G122-000490	2 - 57	G370-000510	5 - 9
91564-04030	3 - 5	G122-000500	2 - 64	G385-000040	4 - 8
91564-05010	3 - 8	G122-001510	2 - 15	J141-000110	2 - 123
91564-05016	5 - 20	G122-001520	2 - 16	J405-003080	2 - 1
91564-05040	3 - 15	G125-000150	1 - 18	J410-000690	2 - 10
91568-05012	2 - 124	G126-000400	1 - 22	J410-000710	2 - 38
91568-05012	5 - 22	G200-000180	1 - 7	J410-001870	2 - 34

Index

Patrs Number	Key No.	Patrs Number	Key No.	Patrs Number	Key No.
J415-000570	2 - 7	M126-000040	5 - 47	V144-000440	2 - 36
J415-000580	2 - 8	M305-000050	3 - 1	V144-000530	4 - 31
J425-000740	2 - 28	M306-000010	4 - 11	V145-000320	1 - 52
J425-000920	2 - 19	M308-000250	5 - 34	V145-000450	2 - 121
J430-000330	4 - 75	M308-000310	5 - 39	V150-002600	5 - 35
J430-000340	5 - 1	M310-000060	4 - 60	V162-000520	2 - 110
J430-001030	2 - 53	M380-000030	2 - 109	V162-000530	1 - 117
J465-000480	2 - 33	M383-000000	2 - 108	V187-000090	1 - 53
J470-002160	2 - 65	M383-000030	2 - 125	V187-000100	1 - 68
J470-002190	2 - 114	M383-000240	1 - 111	V187-000110	1 - 81
J470-004480	2 - 113	M402-000040	2 - 27	V187-000120	1 - 104
J470-004490	3 - 7	M404-000440	2 - 56	V187-000130	1 - 97
J470-006030	2 - 5	M404-000450	2 - 59	V203-001730	1 - 112
J470-006050	2 - 66	M406-001280	2 - 63	V204-001090	1 - 17
J470-006060	2 - 67	M409-000030	2 - 46	V204-001090	2 - 17
J470-006420	2 - 111	M415-000360	2 - 37	V204-001090	5 - 3
J471-000380	2 - 20	M416-000000	5 - 7	V205-001120	1 - 80
J471-000390	2 - 21	M416-000010	1 - 27	V205-001120	2 - 6
J480-000200	2 - 40	M416-000010	2 - 2	V205-001170	1 - 16
J480-000210	2 - 42	M416-000010	5 - 37	V205-001170	2 - 54
J480-000220	2 - 43	M416-000040	1 - 54	V206-000580	1 - 106
J485-000240	2 - 11	M416-000040	4 - 3	V240-000140	2 - 77
J485-000250	2 - 24	M417-000190	2 - 32	V242-000260	1 - 92
J485-000260	2 - 26	M418-000070	2 - 39	V252-000540	5 - 18
J485-000270	2 - 31	M470-001830	2 - 18	V252-000550	5 - 14
J485-000280	2 - 47	M470-001840	2 - 120	V261-000010	2 - 118
K210-000080	1 - 113	M470-001850	2 - 49	V262-000190	4 - 13
K221-000030	1 - 42	M602-000020	2 - 83	V263-000330	2 - 29
K313-000030	1 - 91	M609-000000	1 - 84	V264-000220	1 - 11
K400-001530	1 - 73	M702-000120	5 - 25	V264-000220	2 - 58
K400-001810	1 - 19	M703-000020	3 - 6	V265-000290	1 - 33
K400-001880	1 - 72	M704-000650	4 - 46	V265-000290	2 - 62
K400-001900	1 - 21	M704-000660	4 - 45	V265-000290	4 - 64
K400-001910	1 - 74	M704-000670	4 - 48	V265-000310	2 - 72
K400-001920	1 - 100	M704-000680	4 - 50	V266-000130	3 - 18
K401-000530	1 - 71	M704-000690	4 - 49	V299-000480	2 - 44
K403-000040	1 - 101	M704-000730	2 - 89	V324-000010	4 - 6
K405-000230	1 - 93	M704-000970	2 - 81	V375-000400	2 - 13
M102-000531	3 - 9	M704-001400	2 - 86	V375-000410	2 - 51
M108-000030	5 - 24	M705-000250	2 - 84	V375-000420	5 - 10
M109-000120	4 - 19	M707-000060	2 - 87	V404-000140	2 - 4
M109-000140	4 - 17	M707-000070	2 - 85	V420-003020	1 - 45
M109-000160	4 - 18	M707-000080	4 - 51	V420-003030	1 - 46
M109-000210	4 - 20	M707-000320	4 - 59	V420-003070	2 - 22
M110-000040	5 - 12	M707-000330	4 - 58	V420-003080	2 - 50
M111-000440	4 - 74	V104-001700	1 - 35	V471-002920	1 - 75
M111-000460	5 - 26	V139-000040	4 - 77	V475-005730	1 - 118
M111-001110	4 - 72	V144-000360	5 - 4	V481-000160	2 - 70
M126-000000	5 - 46	V144-000430	2 - 35	V486-000240	2 - 71

Index

Patrs Number	Key No.	Patrs Number	Key No.	Patrs Number	Key No.
V490-000810	1 - 13				
V490-000810	5 - 5				
V490-000820	1 - 15				
V490-000830	1 - 114				
V490-000840	5 - 6				
V495-001660	1 - 76				
V495-001670	1 - 77				
V495-001710	1 - 94				
V495-001720	1 - 102				
V495-001800	1 - 78				
V495-001810	1 - 20				
V495-001820	1 - 89				
V495-001980	1 - 4				
V495-001990	1 - 5				
V495-002000	1 - 38				
V541-000350	2 - 107				
V581-000370	1 - 90				
V581-000380	1 - 99				
V583-000230	2 - 45				
V592-000170	3 - 10				
X504-006550	2 - 80				
X505-004630	2 - 79				
X505-004640	2 - 91				
X505-004650	2 - 93				
X505-004660	2 - 92				

YAMABIKO CORPORATION

7-2 SUEHIROCHO 1-CHOME, OHME, TOKYO 198-8760, JAPAN
PHONE: 81-428-32-6118. FAX: 81-428-32-6145.

shindaiwa[®]

14Fb
No. 67-301