

shindaiwa[®]

PARTS CATALOGUE

DGW400DM/ANZ

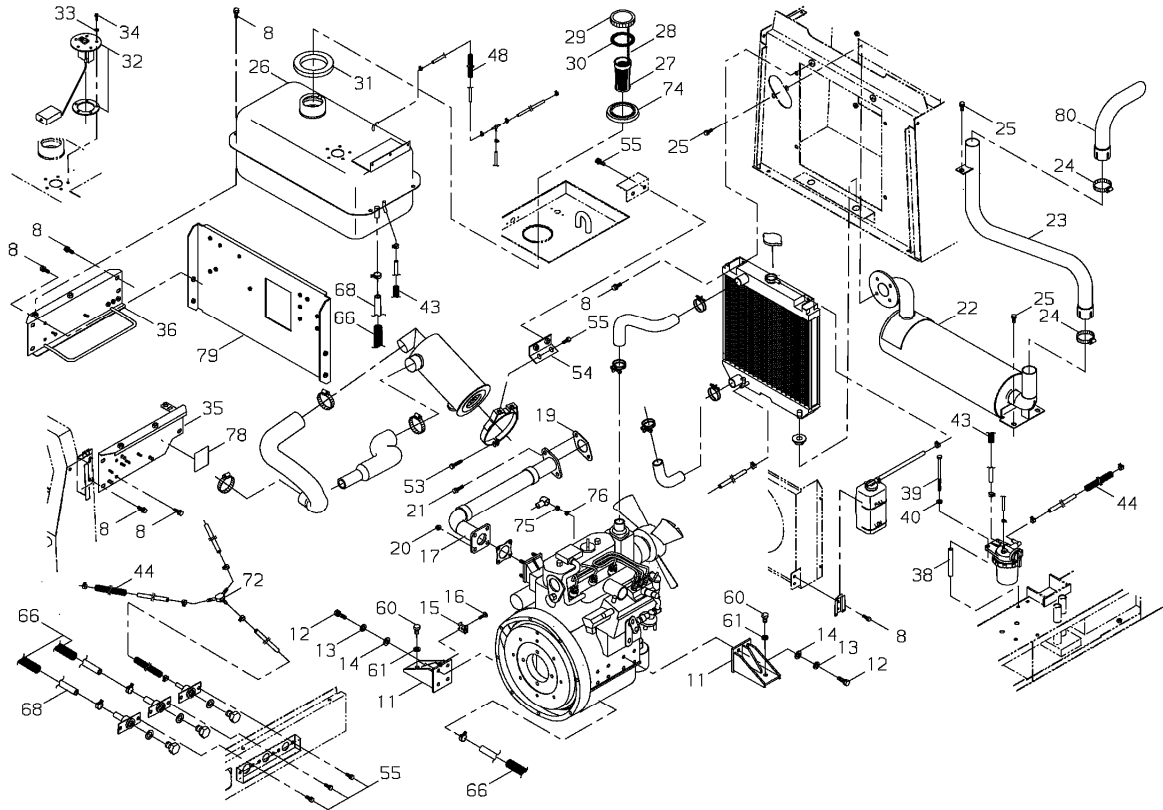
DGW400DM ANZ

DGW400DM/ANZ

1 Ref.1

DGW400DM/ANZ

Fig. 1



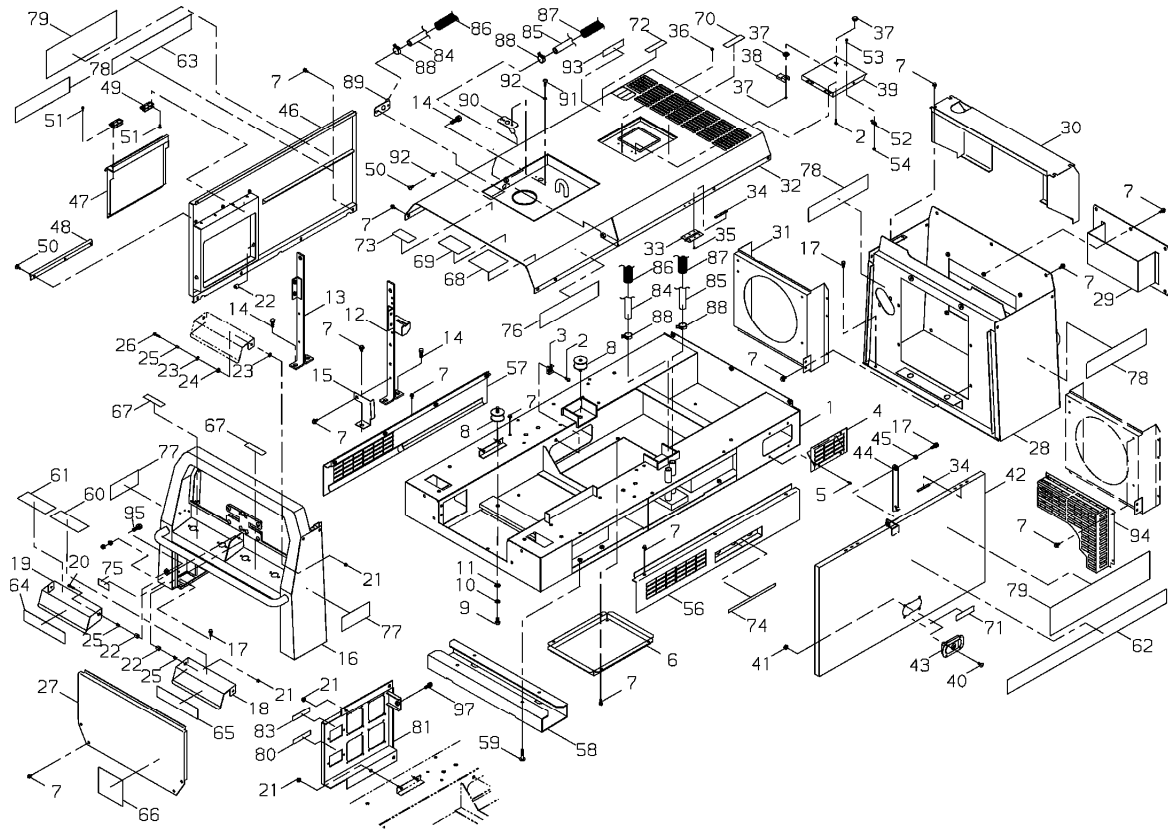
KEY	LV	PART NUMBE	Q'TY	DESCRIPTION	REMARKS
8		V204-001090	20	BOLT FT SW	
11		G121-000330	2	ENGINE STAY	
12		V206-000480	8	BOLT	
13		900605-00010	8	SPRING WASHER	
14		900617-00010	8	WASHER	
15		M416-000010	1	TIE MOUNT	
16		91491-05016	1	SCREW TAPPING	
17		G231-000520	1	FLEXIBLE TUBE	
19		V104-001740	1	GASKET	
20		V265-000290	4	FLANGE NUT	
21		900147-08030	2	BOLT SW	
22		A300-001420	1	MUFFLER	
23		G231-000530	1	EXHAUST PIPE	
24		V495-002100	2	CLAMP	
25		900147-08020	5	BOLT SPW	
26		A350-001800	1	FUEL TANK	
27		A369-000180	1	STRAINER	
28		V489-000120	1	CHAIN	
29		G255-000110	1	TANK CAP	
30		V107-000140	1	PACKING	
31		V540-000360	1	SHEET	
32		E325-000100	1	FUEL GUAGE	
33		V500-000020	5	SEAL WASHER	
34		91463-05012	5	SCREW TRUSS	
35		G126-000200	1	TANK STAY RIGHT	
36		G126-000370	1	BRACKET,TANK	
38		V355-000560	2	PIPE	
39		V205-000690	2	BOLT	
40		900602-00008	2	WASHER	
43		V476-000260	1	TUBE	
44		V476-000270	2	TUBE	
48		V476-000210	1	TUBE	
53		91024-08035	1	BOLT SPW	
54		G211-000260	1	CLEANER STAY	
55		91022-08016	10	BOLT SW	
60		91000-12022	2	BOLT	
61		900605-00012	2	SPRING WASHER	
66		V476-000280	2	TUBE	
68		K403-000070	1	HOSE	
72		M601-000080	1	JOINT	
74		V145-000510	1	TANK BUSH	
75		900500-00008	1	NUT	
76		900605-00008	1	SPRING WASHER	
78		X505-004970	1	LABEL CAUTION	
79		M465-000171	1	PANEL	
80		G234-000060	1	TAIL PIPE	

DGW400DM/ANZ

2 Ref.2

DGW400DM/ANZ

Fig. 2



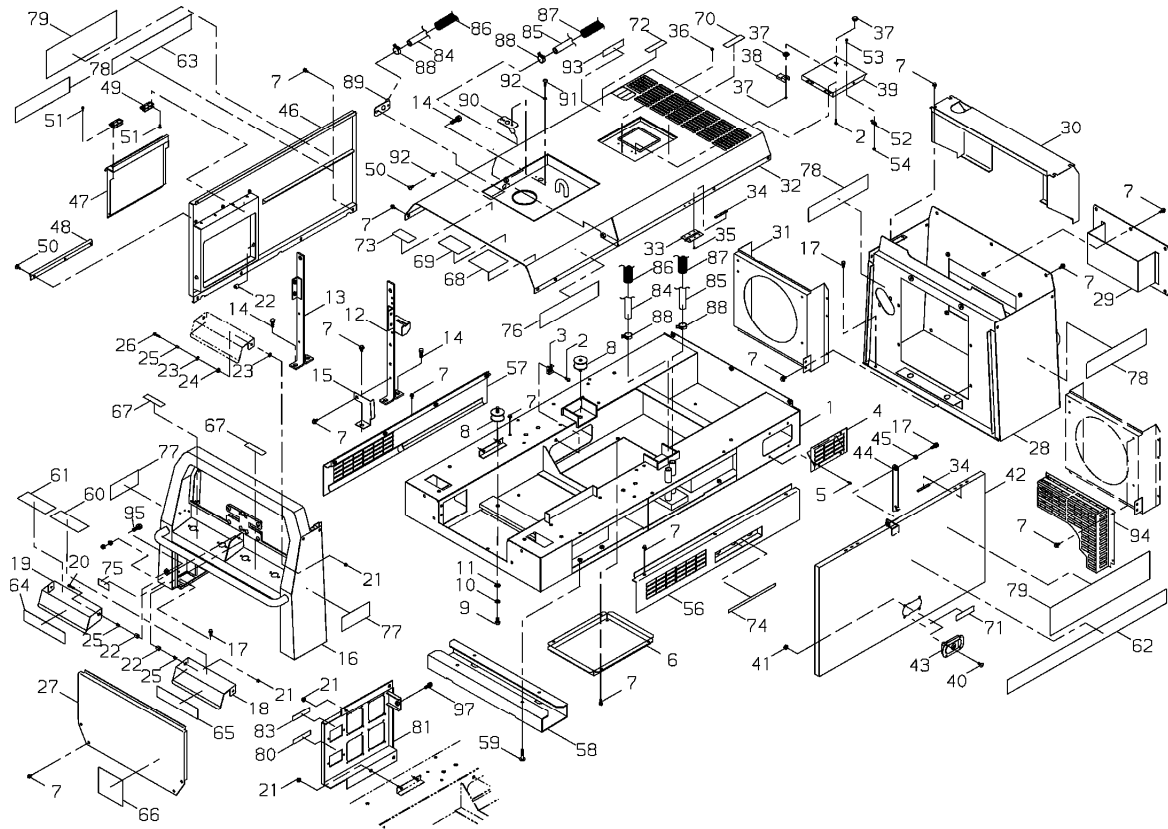
KEY	LV	PART NUMBE	Q'TY	DESCRIPTION	REMARKS
1		J405-002380	1	BED	
2		91491-05012	5	SCREW TAPPING	
3		M416-000010	1	TIE MOUNT	
4		C603-000690	2	DUCT PLATE	
5		91397-04012	8	SCREW TAPPING	
6		J470-005230	1	OIL PAN COVER	
7		V204-001090	53	BOLT FT SW	
8		V420-003140	4	AV RUBBER	
9		91000-12022	2	BOLT	
10		900605-00012	2	SPRING WASHER	
11		900617-00012	2	WASHER	
12		J415-000390	1	STAND BAR RIGHT	
13		J415-000380	1	STAND BAR LEFT	
14		900147-10025	6	BOLT SW	
15		V152-003040	1	DOOR CATCH	
16		J491-001640	1	BONNET	
17		900147-08020	7	BOLT SPW	
18		J470-002830	1	TERMINAL COVER R	
19		M470-000360	1	TERMINAL COVER L	
20		91036-06030	1	BOLT SW	
21		V264-000220	7	FLANGE NUT	
22		V420-003170	4	RUBBER PIPE	
23		900602-00008	2	WASHER	
24		V420-003160	2	BUSH RUBBER	
25		V375-000480	2	COLLAR	
26		91036-06025	2	BOLT SW	
27		M465-000160	1	FRONT PANEL	
28		J491-001400	1	REAR COVER	
29		M465-000180	1	REAR PANEL	
30		A209-000390	1	MUFFLER GUARD	
31		A172-001640	1	FAN SHROUD	
32		J491-001410	1	TOP COVER	
33		J485-000300	2	HINGE	
34		V150-002620	4	TAPPING PLATE	
35		900212-04010	12	SCREW	
36		V420-003200	1	CUSHION	
37		J479-000000	1	LOCK	
38		C390-000120	1	BUCKLE	
39		J480-000461	1	CHECK PLATE	
40		900209-05010	4	SCREW TRUSS	
41		V263-000330	4	FLANGE NUT	
42		M406-000910	1	SIDE COVER	
43		C701-000400	1	LOCK COVER	
44		G257-000580	1	STOPPER ARM	
45		V375-000460	1	COLLAR	
46		M465-000190	1	PANEL	
47		M470-000370	1	COVER	
48		J474-000050	2	PLATE	
49		J485-000490	2	HINGE	
50		91463-05012	5	SCREW TRUSS	
51		91566-04012	8	SCREW SPW	
52		C390-000010	1	TONGUE	
53		91564-03012	2	SCREW SW	
54		V261-000010	2	FLANGE NUT	
56		C603-000420	1	SIDE PLATE R	
57		C603-000430	1	SIDE PLATE L	
58		C619-000130	2	BASE	

DGW400DM/ANZ

2 Ref.2

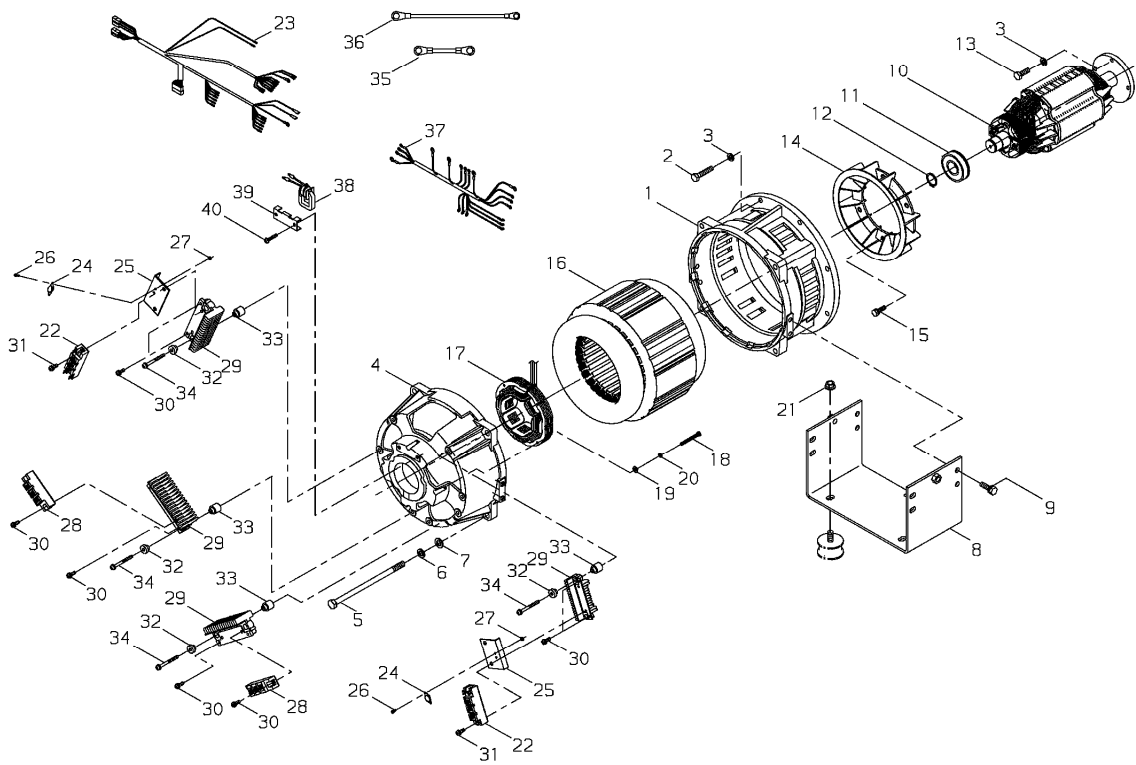
DGW400DM/ANZ

Fig. 2



KEY	LV	PART NUMBE	Q'TY	DESCRIPTION	REMARKS
59		91142-10025	8	SCREW BUTTON	
60		71920-91310	1	LABEL NAME	
61		X533-000140	1	LABEL NAME	
62		X543-002080	1	LABEL TRADE	
63		X543-002090	1	LABEL TRADE	
64		M704-001500	1	LABEL INST	
65		M704-001510	1	LABEL INST	
66		X505-004980	1	LABEL CAUTION	
67		X505-004930	2	LABEL CAUTION	
68		X505-004900	1	LABEL CAUTION	
69		X505-004910	1	LABEL CAUTION	
70		X505-004950	1	LABEL CAUTION	
71		X505-004940	1	LABEL CAUTION	
72		X505-004960	1	LABEL CAUTION	
73		X505-004880	1	LABEL CAUTION	
74		M704-001520	1	LABEL INST	
75		M704-001400	1	LABEL INST	
76		M705-000340	1	LABEL FEATURE	
77		X524-003170	2	LABEL DESAIN	
78		X524-003180	3	LABEL DESAIN	
79		X504-005280	2	LABEL TRADE	
80		M704-001530	1	LABEL INST	
81		M465-000610	1	CONTROL PLATE	
83		M704-001540	1	LABEL INST	
84		K405-000290	1	HOSE	
85		K405-000280	1	HOSE	
86		V475-006220	1	TUBE	
87		V475-006160	1	TUBE	
88		V495-002110	4	HOUSE CLAMP	
89		E228-000000	1	DRAIN PIPE	
90		E228-000010	1	DRAIN PIPE	
91		91463-05016	2	SCREW TRUSS	
92		V500-000020	4	SEAL WASHER	
93		X505-004990	1	LABEL CAUTION	
94		J447-000630	1	FAN GUARD	
95		91034-08040	1	BOLT SW	
97		91036-06016	1	BOLT SW	

DGW400DM/ANZ
Fig. 3

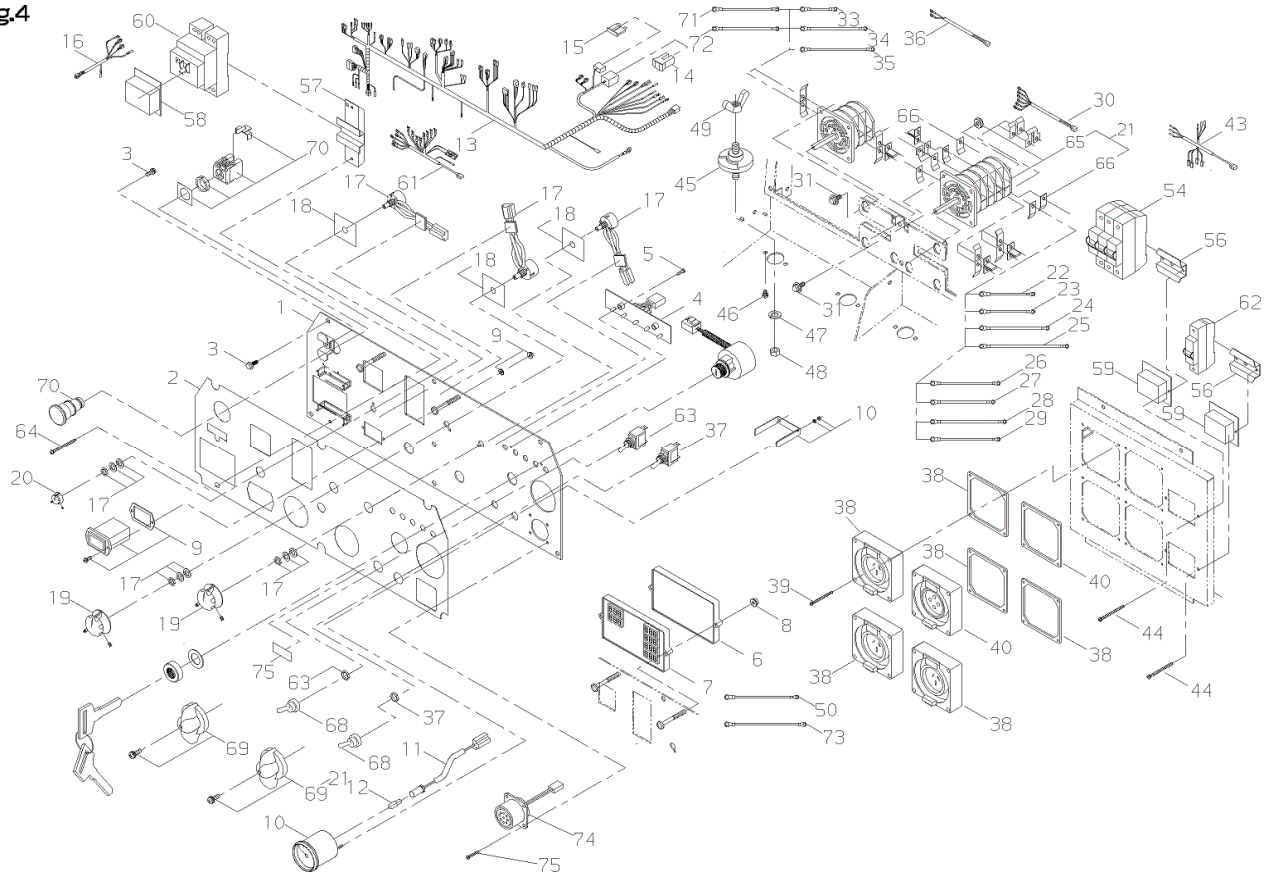


KEY	LV	PART NUMBE	Q'TY	DESCRIPTION	REMARKS
1		M305-000080	1	FRONT BRACKET	
2		91027-10025	8	BOLT	
3		900605-00010	12	SPRING WASHER	
4		M305-000090	1	REAR BRACKET	
5		V207-000120	4	BOLT	
6		900605-00012	4	SPRING WASHER	
7		900617-00012	4	WASHER	
8		C519-003690	1	GENERATOR STAY	
9		91024-10030	8	BOLT SPW	
10		20931-51310	1	ROTOR	
11		V592-000200	1	BEARING	
12		92423-34000	1	SNAP RING	
13		91014-10030	4	BOLT	
14		A171-000090	1	FAN	
15		900147-08025	6	BOLT SPW	
16		71917-52311	1	STATOR	
17		M106-000410	1	STATOR	
18		900100-05045	4	BOLT	
19		900602-00005	4	WASHER	
20		900605-00005	4	SPRING WASHER	
21		V268-000060	2	FLANGE NUT	
22		M101-000020	2	THYRISTOR	
23		G360-000940	1	WIRING HARNESS	
24		20930-71031	2	THERMOSTAT	
25		20930-71041	2	STACK FIN	
26		91564-03012	4	SCREW SW	
27		V261-000010	4	FLANGE NUT	
28		M105-000040	2	RECTIFIER	
29		M615-000000	4	STACK FIN	
30		91564-06016	10	SCREW SW	
31		91564-06020	4	SCREW SW	
32		V376-001460	8	INS RING	
33		V376-001470	8	INS RING	
34		91564-06055	8	SCREW SW	
35		M380-000160	5	LEAD WIRE	
36		M382-000090	1	LEAD WIRE	
37		G360-000960	1	WIRE HARNESS	
38		M010-000010	1	CT COMP	
39		V150-002660	1	CORE PLATE	
40		91341-06025	2	SCREW SW	

DGW400DM/ANZ

4 Ref.4

DGW400DM/ANZ
Fig.4

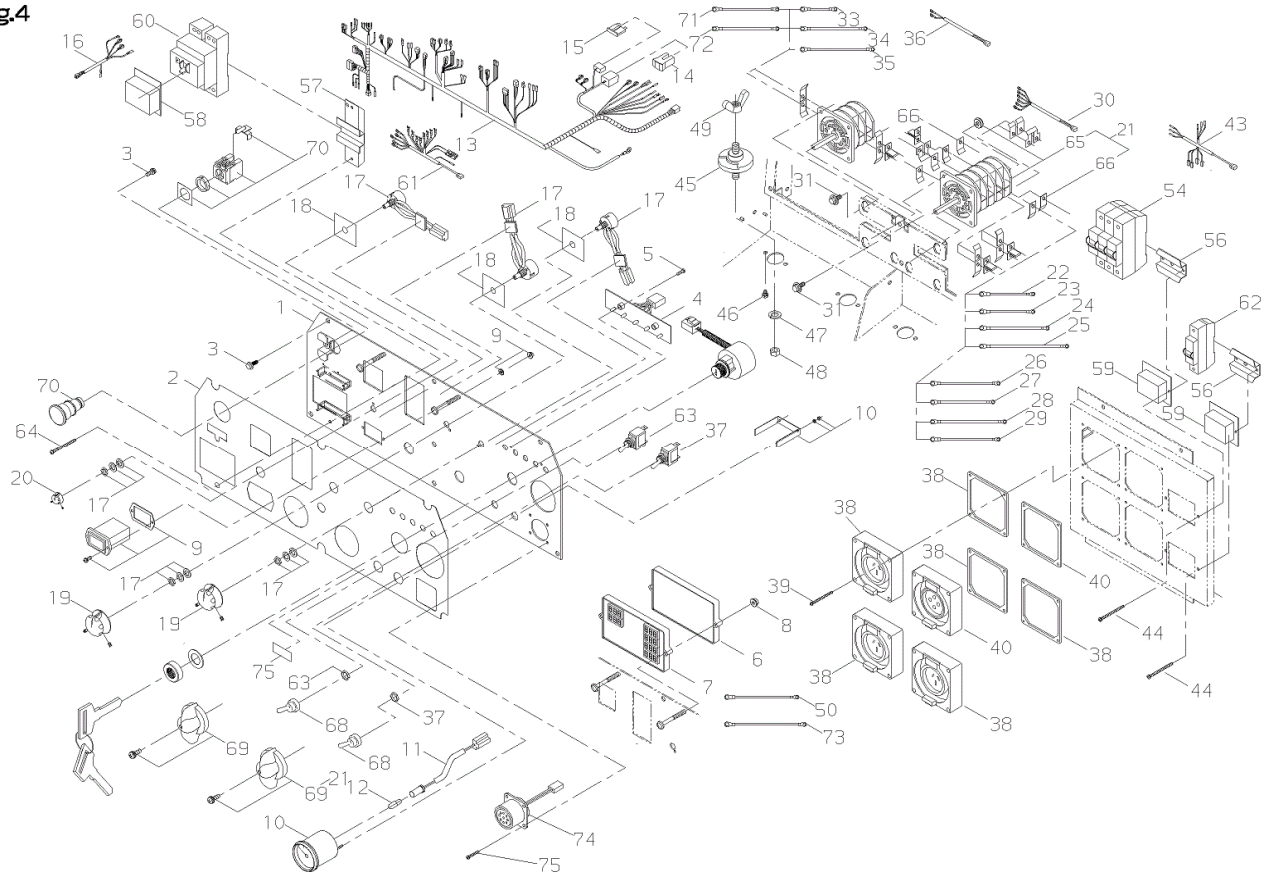


KEY	LV	PART NUMBE	Q'TY	DESCRIPTION	REMARKS
1		C160-000790	1	PANEL,OPERATION	
2		X532-003220	1	LABEL,OPERATION	
3		91036-06016	8	BOLT SW	
4		C124-000060	1	PRINT CIRCUIT	
5		91461-04014	2	SCREW	
6		G370-000710	1	PRINT CIRCUIT	
7		G370-000720	1	PRINT CIRCUIT	
8		V263-000200	2	FLANGE NUT	
9		G319-000060	1	HOUR METER	
10		G318-000010	1	FUEL METER	
11		G327-000340	1	LAMP ASSY	
12		G327-000330	1	PILOT LAMP	
13		G031-002580	1	WIRE HARNESS-A	
14		G350-000250	1	FUSE	
15		G350-000240	1	FUSE	
16		G360-000990	1	WIRING HARNESS	
17		M112-000020	3	VOLUM COMP	
18		M702-000050	3	INS PAPER	
19		E145-000070	2	DIAL	
20		E145-000080	1	DIAL	
21		M115-000220	1	CAM SWITCH SUB ASSY	
65		M115-000230	1	CAM SWITCH	
66		A565-000080	16	SEAL PLATE	
22		M382-000100	1	LEAD WIRE	
23		M382-000110	1	LEAD WIRE	
24		M382-000120	1	LEAD WIRE	
25		M382-000130	1	LEAD WIRE	
26		M382-000170	1	LEAD WIRE	
27		M382-000140	1	LEAD WIRE	
28		M382-000150	1	LEAD WIRE	
29		M382-000160	1	LEAD WIRE	
30		G360-001000	1	WIRING HARNESS	
31		V204-001090	8	BOLT FT SW	
33		M382-000180	1	LEAD WIRE	
34		M382-000190	1	LEAD WIRE	
35		M382-000200	1	LEAD WIRE	
36		G360-001010	1	WIRING HARNESS	
37		A045-000510	1	TOGGLE SWITCH	
38		C154-000270	3	SOCKET	
39		91491-03025	16	SCREW TAPPING	
40		C154-000260	1	SOCKET	
43		G360-001720	1	HARNESS,WIRE	
44		91461-04070	4	SCREW	
45		M603-000000	4	TERMINAL REST	
46		91031-05008	8	BOLT SW	
47		92237-10000	4	SPRING WASHER	
48		900504-00010	4	NUT	
49		92085-10000	4	WING NUT	
50		M382-000230	1	LEAD WIRE	
54		M111-000760	1	BREAKER	
56		C519-003070	2	STAY	
57		71920-84310	1	STAY	
58		J139-000200	1	DUST COVER	
59		J139-000210	2	DUST COVER	
60		G343-000350	1	LEAKAGE RELAY	
61		J139-000230	1	COVER,DUST	
62		C137-000130	3	CIRCUIT PROTECTOR	

DGW400DM/ANZ

4 Ref.4

DGW400DM/ANZ
Fig.4

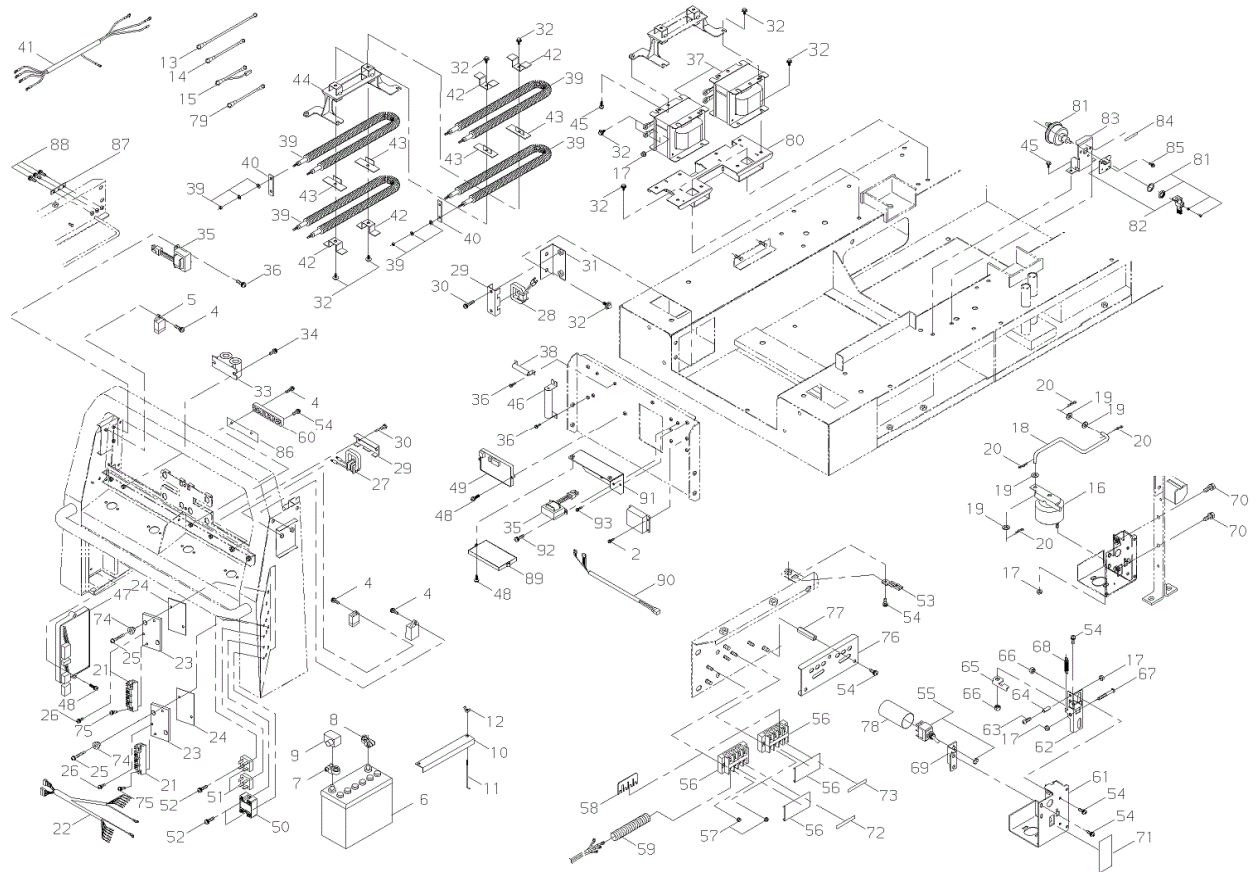


KEY	LV	PART NUMBE	Q'TY	DESCRIPTION	REMARKS
63		A440-001730	1	TOGGLE SWITCH	
64		91461-04080	2	SCREW	
66		A565-000080	8	SEAL PLATE	
68		V494-000460	2	CAP	
69		P050-008740	2	HANDLE	
70		G334-000870	1	SWITCH	
71		M382-000210	1	LEAD WIRE	
72		M382-000220	1	LEAD WIRE	
73		M382-000240	1	LEAD WIRE	
74		C154-001040	1	RECEPTACLE	
75		M707-000360	1	LABEL,INST	

DGW400DM/ANZ

5 Ref.5

DGW400DM/ANZ
Fig.5

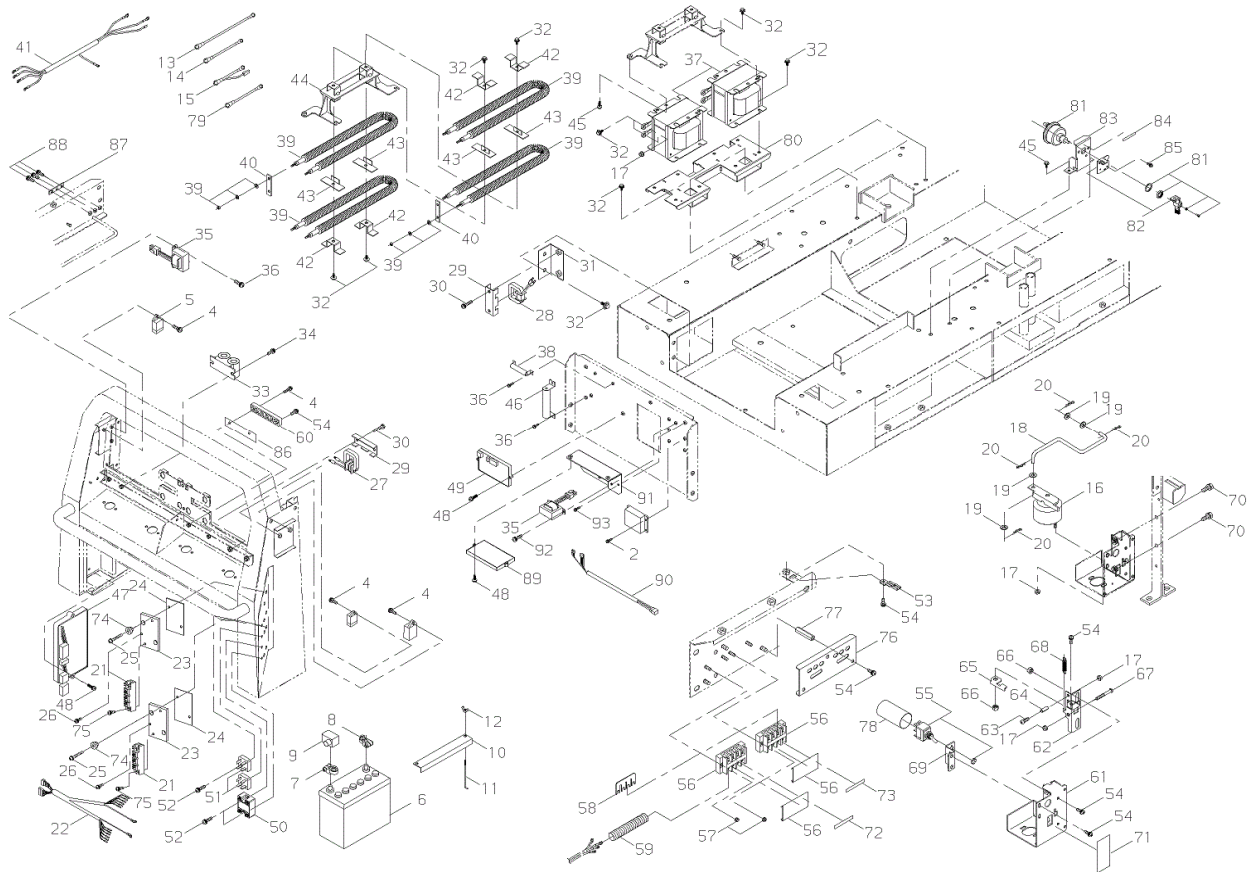


KEY	LV	PART NUMBE	Q'TY	DESCRIPTION	REMARKS
2		91564-05020	4	SCREW SW	
4		91564-05016	5	SCREW SW	
6		V481-000180	1	BATTERY 65B24L	
7		G304-000020	1	TERMINAL +	
8		G304-000030	1	TERMINAL -	
9		G305-000050	1	TERMINAL CAP	
10		G303-000290	1	BATTERY STAY	
11		V240-000150	2	BOLT BATTERY	
12		92190-08000	2	WING NUT	
13		M380-000130	1	LEAD WIRE	
14		M382-000060	1	LEAD WIRE	
15		M382-000070	1	LEAD WIRE	
16		M118-000000	1	SOLENOID COMP	
17		V264-000220	9	FLANGE NUT	
18		C454-000350	1	ROD	
19		900602-00008	4	WASHER	
20		93003-08000	4	SNAP PIN	
21		M101-000000	2	THYRISTOR	
22		G360-000950	1	WIRING HARNESS	
23		A471-000410	2	STACK PLATE	
24		C557-000220	2	SHEET	
25		91565-06030	4	SCREW SPW	
26		91564-06012	2	SCREW SW	
27		M010-000000	1	CT	
28		M010-000010	1	CT COMP	
29		V150-002660	2	CORE PLATE	
30		91341-06025	4	SCREW SW	
31		C519-003060	1	CT STAY	
32		V204-001090	24	BOLT FT SW	
33		M108-000060	1	CT	
34		91564-04016	2	SCREW SPW	
35		C163-000000	2	TRANSFORMER COMP	
36		91564-04012	6	SCREW SW	
37		M116-000000	2	REACTOR	
38		M110-000070	1	RESISTOR COMP	
39		M110-000090	4	RESISTOR	
40		V150-002670	4	BUS BAR	
41		G360-000970	1	WIRING HARNESS	
42		V150-003230	4	RESISTOR STAY	
43		V150-003150	4	RESISTOR PLATE	
44		C519-004610	1	RESISTOR STAY	
45		V204-000960	4	FRANGE BOLT	
46		M110-000220	1	RESISTOR COMP	
47		G370-001520	1	UNIT,CONTROL	
48		91036-05025	6	BOLT SW	
49		G370-000700	1	PRINTED CIRCUIT	
50		M105-000050	1	RECTIFIRE	
51		M105-000000	2	RECTIFIER	
52		91564-04020	4	SCREW SPW	
53		G391-000080	1	FUSE STAY	
54		91564-06016	12	SCREW SW	
55		G334-000840	1	TOGGLE SWITCH	
56		M308-000380	2	TERMINAL BLOCK	
57		V263-000200	4	FLANGE NUT	
58		C230-000060	1	BUS BAR	
59		V476-000300	1	TUBE	
60		V488-000010	1	TERMINAL REST	

DGW400DM/ANZ

5 Ref.5

DGW400DM/ANZ
Fig.5



KEY	LV	PART NUMBE	Q'TY	DESCRIPTION	REMARKS
61		C519-004440	1	THROTTLE BRACKET	
62		E153-000520	1	SLIDE PLATE	
63		91461-06030	2	SCREW	
64		V354-000390	2	COLLAR	
65		J361-000410	1	PLATE KNOB	
66		V375-000470	3	COLLAR	
67		91461-06050	1	SCREW	
68		V451-000980	1	COIL SPRING	
69		A439-000580	1	SWITCH BRACKET	
70		900147-08020	2	BOLT SPW	
71		X511-000110	1	LABEL INST	
72		M704-001220	1	LABEL HERTZ	
73		M704-001240	1	LABEL HERTZ	
74		V376-001460	4	INS RING	
75		91564-06020	4	SCREW SW	
76		J470-002820	1	COVER	
77		V264-000240	3	NUT	
78		V475-005950	1	TUBE	
79		M382-000080	1	LEAD WIRE	
80		C519-004630	1	REACTOR BED	
81		G334-000860	1	BATTERY SWITCH	
82		J141-000110	1	SWITCH LEVER SET	
83		C519-004620	1	BRACKET	
84		M704-001550	1	LABEL INST	
85		91568-05012	2	SCREW SLPW	
86		C557-000310	1	SHEET	
87		V150-003140	1	BUS BAR	
88		91036-06016	3	BOLT SW	
89		G370-001530	1	UNIT,CONTROL	
90		G362-000770	1	HARNES,WIRE	
91		C527-000650	1	STAY	
92		V252-000550	2	SCREW TAPPING	
93		91037-05012	2	BOLT SPW	

Index

Patrs Number	Key No.	Patrs Number	Key No.	Patrs Number	Key No.
20930-71031	3 - 24	91341-06025	5 - 30	C154-000270	4 - 38
20930-71041	3 - 25	91397-04012	2 - 5	C154-001040	4 - 74
20931-51310	3 - 10	91461-04014	4 - 5	C160-000790	4 - 1
71917-52311	3 - 16	91461-04070	4 - 44	C163-000000	5 - 35
71920-84310	4 - 57	91461-04080	4 - 64	C230-000060	5 - 58
71920-91310	2 - 60	91461-06030	5 - 63	C390-000010	2 - 52
900100-05045	3 - 18	91461-06050	5 - 67	C390-000120	2 - 38
900147-08020	1 - 25	91463-05012	1 - 34	C454-000350	5 - 18
900147-08020	2 - 17	91463-05012	2 - 50	C519-003060	5 - 31
900147-08020	5 - 70	91463-05016	2 - 91	C519-003070	4 - 56
900147-08025	3 - 15	91491-03025	4 - 39	C519-003690	3 - 8
900147-08030	1 - 21	91491-05012	2 - 2	C519-004440	5 - 61
900147-10025	2 - 14	91491-05016	1 - 16	C519-004610	5 - 44
900209-05010	2 - 40	91564-03012	2 - 53	C519-004620	5 - 83
900212-04010	2 - 35	91564-03012	3 - 26	C519-004630	5 - 80
900500-00008	1 - 75	91564-04012	5 - 36	C527-000650	5 - 91
900504-00010	4 - 48	91564-04016	5 - 34	C557-000220	5 - 24
900602-00005	3 - 19	91564-04020	5 - 52	C557-000310	5 - 86
900602-00008	1 - 40	91564-05016	5 - 4	C603-000420	2 - 56
900602-00008	2 - 23	91564-05020	5 - 2	C603-000430	2 - 57
900602-00008	5 - 19	91564-06012	5 - 26	C603-000690	2 - 4
900605-00005	3 - 20	91564-06016	3 - 30	C619-000130	2 - 58
900605-00008	1 - 76	91564-06016	5 - 54	C701-000400	2 - 43
900605-00010	1 - 13	91564-06020	3 - 31	E145-000070	4 - 19
900605-00010	3 - 3	91564-06020	5 - 75	E145-000080	4 - 20
900605-00012	1 - 61	91564-06055	3 - 34	E153-000520	5 - 62
900605-00012	2 - 10	91565-06030	5 - 25	E228-000000	2 - 89
900605-00012	3 - 6	91566-04012	2 - 51	E228-000010	2 - 90
900617-00010	1 - 14	91568-05012	5 - 85	E325-000100	1 - 32
900617-00012	2 - 11	92085-10000	4 - 49	G031-002580	4 - 13
900617-00012	3 - 7	92190-08000	5 - 12	G121-000330	1 - 11
91000-12022	1 - 60	92237-10000	4 - 47	G126-000200	1 - 35
91000-12022	2 - 9	92423-34000	3 - 12	G126-000370	1 - 36
91014-10030	3 - 13	93003-08000	5 - 20	G211-000260	1 - 54
91022-08016	1 - 55	A045-000510	4 - 37	G231-000520	1 - 17
91024-08035	1 - 53	A171-000090	3 - 14	G231-000530	1 - 23
91024-10030	3 - 9	A172-001640	2 - 31	G234-000060	1 - 80
91027-10025	3 - 2	A209-000390	2 - 30	G255-000110	1 - 29
91031-05008	4 - 46	A300-001420	1 - 22	G257-000580	2 - 44
91034-08040	2 - 95	A350-001800	1 - 26	G303-000290	5 - 10
91036-05025	5 - 48	A369-000180	1 - 27	G304-000020	5 - 7
91036-06016	2 - 97	A439-000580	5 - 69	G304-000030	5 - 8
91036-06016	4 - 3	A440-001730	4 - 63	G305-000050	5 - 9
91036-06016	5 - 88	A471-000410	5 - 23	G318-000010	4 - 10
91036-06025	2 - 26	A565-000080	4 - 66	G319-000060	4 - 9
91036-06030	2 - 20	A565-000080	4 - 66	G327-000330	4 - 12
91037-05012	5 - 93	C124-000060	4 - 4	G327-000340	4 - 11
91142-10025	2 - 59	C137-000130	4 - 62	G334-000840	5 - 55
91341-06025	3 - 40	C154-000260	4 - 40	G334-000860	5 - 81

Index

Patrs Number	Key No.	Patrs Number	Key No.	Patrs Number	Key No.
G334-000870	4 - 70	M105-000050	5 - 50	M702-000050	4 - 18
G343-000350	4 - 60	M106-000410	3 - 17	M704-001220	5 - 72
G350-000240	4 - 15	M108-000060	5 - 33	M704-001240	5 - 73
G350-000250	4 - 14	M110-000070	5 - 38	M704-001400	2 - 75
G360-000940	3 - 23	M110-000090	5 - 39	M704-001500	2 - 64
G360-000950	5 - 22	M110-000220	5 - 46	M704-001510	2 - 65
G360-000960	3 - 37	M111-000760	4 - 54	M704-001520	2 - 74
G360-000970	5 - 41	M112-000020	4 - 17	M704-001530	2 - 80
G360-000990	4 - 16	M115-000220	4 - 21	M704-001540	2 - 83
G360-001000	4 - 30	M115-000230	4 - 65	M704-001550	5 - 84
G360-001010	4 - 36	M116-000000	5 - 37	M705-000340	2 - 76
G360-001720	4 - 43	M118-000000	5 - 16	M707-000360	4 - 75
G362-000770	5 - 90	M305-000080	3 - 1	P050-008740	4 - 69
G370-000700	5 - 49	M305-000090	3 - 4	V104-001740	1 - 19
G370-000710	4 - 6	M308-000380	5 - 56	V107-000140	1 - 30
G370-000720	4 - 7	M380-000130	5 - 13	V145-000510	1 - 74
G370-001520	5 - 47	M380-000160	3 - 35	V150-002620	2 - 34
G370-001530	5 - 89	M382-000060	5 - 14	V150-002660	3 - 39
G391-000080	5 - 53	M382-000070	5 - 15	V150-002660	5 - 29
J139-000200	4 - 58	M382-000080	5 - 79	V150-002670	5 - 40
J139-000210	4 - 59	M382-000090	3 - 36	V150-003140	5 - 87
J139-000230	4 - 61	M382-000100	4 - 22	V150-003150	5 - 43
J141-000110	5 - 82	M382-000110	4 - 23	V150-003230	5 - 42
J361-000410	5 - 65	M382-000120	4 - 24	V152-003040	2 - 15
J405-002380	2 - 1	M382-000130	4 - 25	V204-000960	5 - 45
J415-000380	2 - 13	M382-000140	4 - 27	V204-001090	1 - 8
J415-000390	2 - 12	M382-000150	4 - 28	V204-001090	2 - 7
J447-000630	2 - 94	M382-000160	4 - 29	V204-001090	4 - 31
J470-002820	5 - 76	M382-000170	4 - 26	V204-001090	5 - 32
J470-002830	2 - 18	M382-000180	4 - 33	V205-000690	1 - 39
J470-005230	2 - 6	M382-000190	4 - 34	V206-000480	1 - 12
J474-000050	2 - 48	M382-000200	4 - 35	V207-000120	3 - 5
J479-000000	2 - 37	M382-000210	4 - 71	V240-000150	5 - 11
J480-000461	2 - 39	M382-000220	4 - 72	V252-000550	5 - 92
J485-000300	2 - 33	M382-000230	4 - 50	V261-000010	2 - 54
J485-000490	2 - 49	M382-000240	4 - 73	V261-000010	3 - 27
J491-001400	2 - 28	M406-000910	2 - 42	V263-000200	4 - 8
J491-001410	2 - 32	M416-000010	1 - 15	V263-000200	5 - 57
J491-001640	2 - 16	M416-000010	2 - 3	V263-000330	2 - 41
K403-000070	1 - 68	M465-000160	2 - 27	V264-000220	2 - 21
K405-000280	2 - 85	M465-000171	- 79	V264-000220	5 - 17
K405-000290	2 - 84	M465-000180	2 - 29	V264-000240	5 - 77
M010-000000	5 - 27	M465-000190	2 - 46	V265-000290	1 - 20
M010-000010	3 - 38	M465-000610	2 - 81	V268-000060	3 - 21
M010-000010	5 - 28	M470-000360	2 - 19	V354-000390	5 - 64
M101-000000	5 - 21	M470-000370	2 - 47	V355-000560	1 - 38
M101-000020	3 - 22	M601-000080	1 - 72	V375-000460	2 - 45
M105-000000	5 - 51	M603-000000	4 - 45	V375-000470	5 - 66
M105-000040	3 - 28	M615-000000	3 - 29	V375-000480	2 - 25

Index

Patrs Number	Key No.	Patrs Number	Key No.	Patrs Number	Key No.
V376-001460	3 - 32				
V376-001460	5 - 74				
V376-001470	3 - 33				
V420-003140	2 - 8				
V420-003160	2 - 24				
V420-003170	2 - 22				
V420-003200	2 - 36				
V451-000980	5 - 68				
V475-005950	5 - 78				
V475-006160	2 - 87				
V475-006220	2 - 86				
V476-000210	1 - 48				
V476-000260	1 - 43				
V476-000270	1 - 44				
V476-000280	1 - 66				
V476-000300	5 - 59				
V481-000180	5 - 6				
V488-000010	5 - 60				
V489-000120	1 - 28				
V494-000460	4 - 68				
V495-002100	1 - 24				
V495-002110	2 - 88				
V500-000020	1 - 33				
V500-000020	2 - 92				
V540-000360	1 - 31				
V592-000200	3 - 11				
X504-005280	2 - 79				
X505-004880	2 - 73				
X505-004900	2 - 68				
X505-004910	2 - 69				
X505-004930	2 - 67				
X505-004940	2 - 71				
X505-004950	2 - 70				
X505-004960	2 - 72				
X505-004970	1 - 78				
X505-004980	2 - 66				
X505-004990	2 - 93				
X511-000110	5 - 71				
X524-003170	2 - 77				
X524-003180	2 - 78				
X532-003220	4 - 2				
X533-000140	2 - 61				
X543-002080	2 - 62				
X543-002090	2 - 63				

YAMABIKO CORPORATION

7-2 SUEHIROCHO 1-CHOME, OHME, TOKYO 198-8760, JAPAN
PHONE: 81-428-32-6118. FAX: 81-428-32-6145.

shindaiwa[®]

DGW400DM/ANZ
No. A40-000