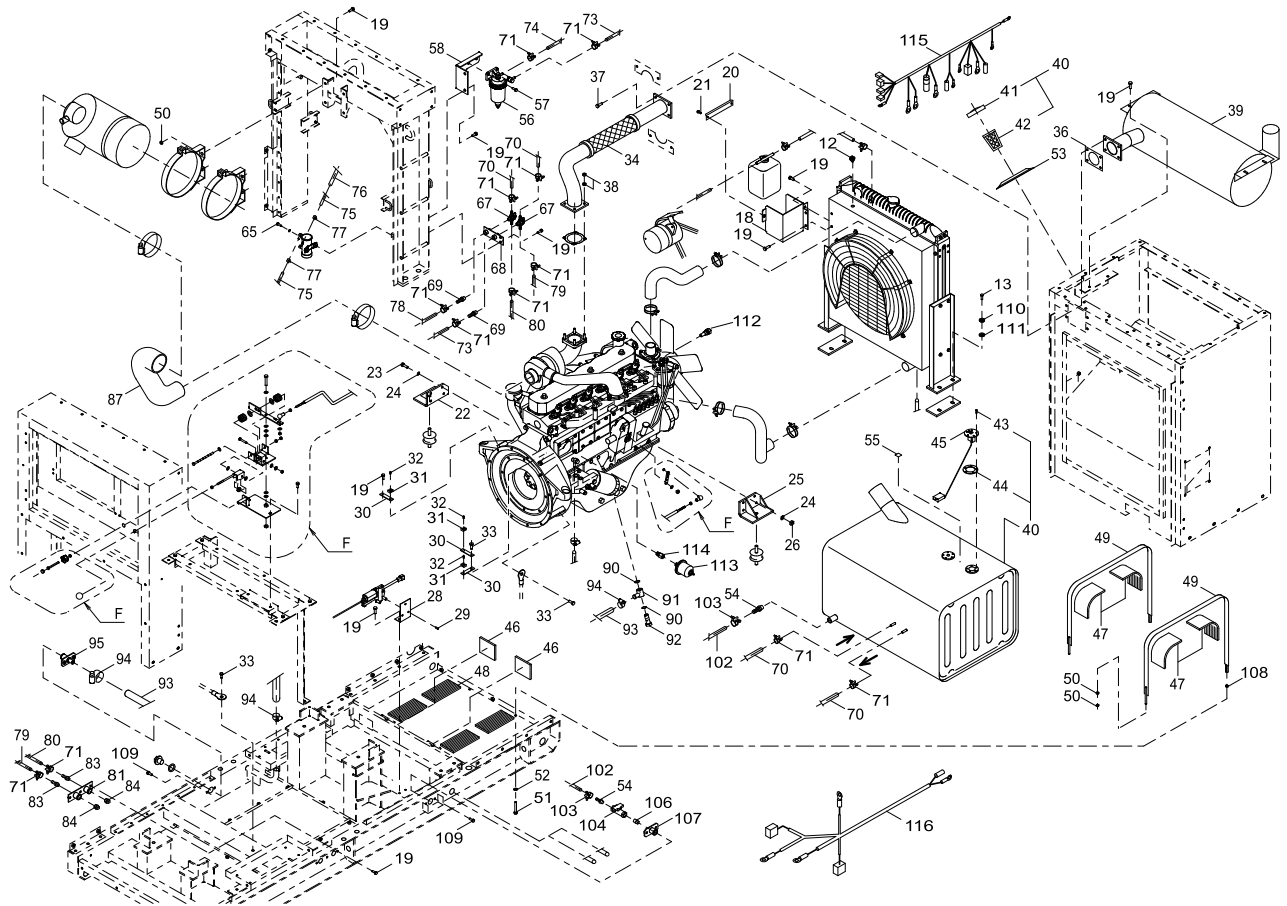


shindaiwa[®]

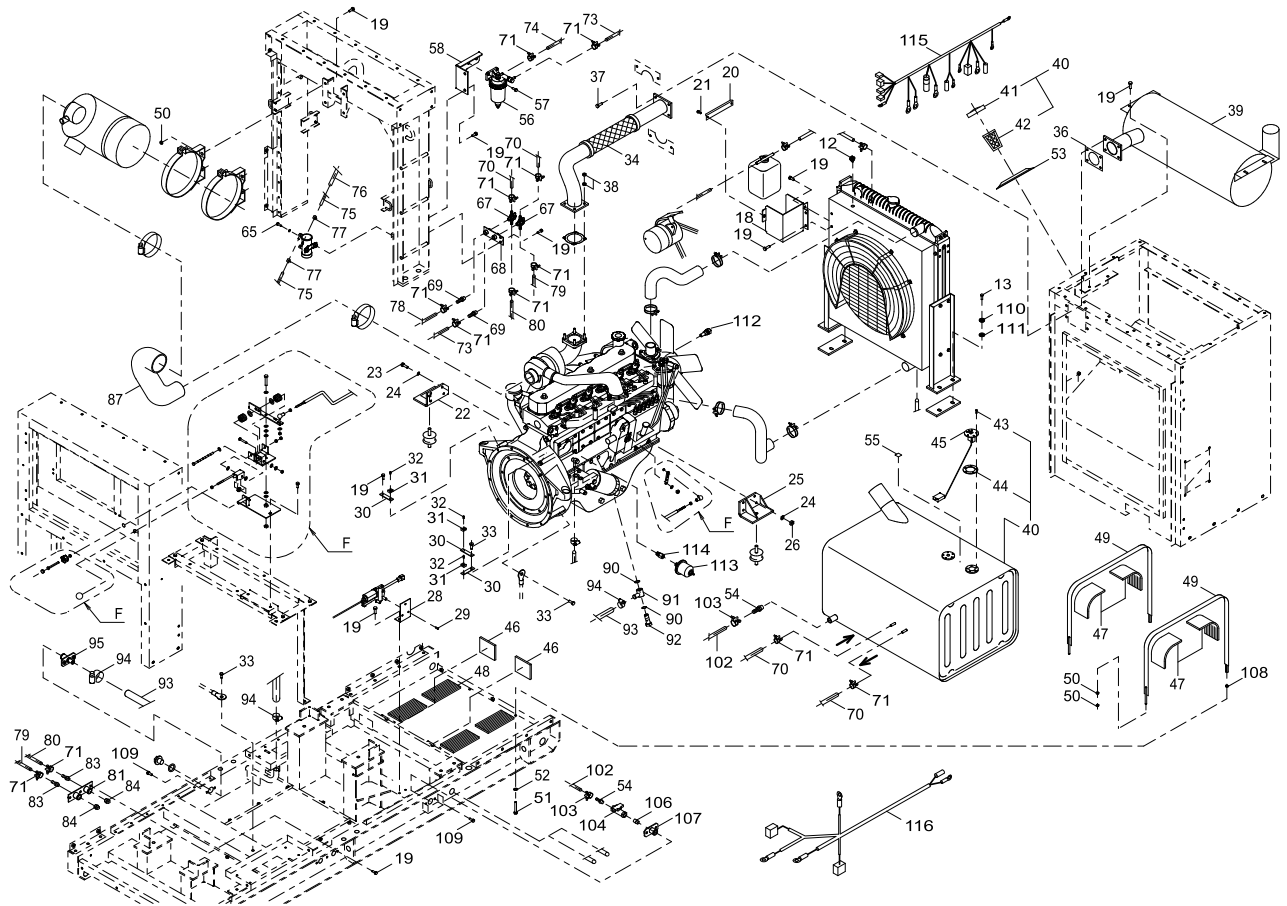
PARTS CATALOGUE

DGIO00MI/ANZ

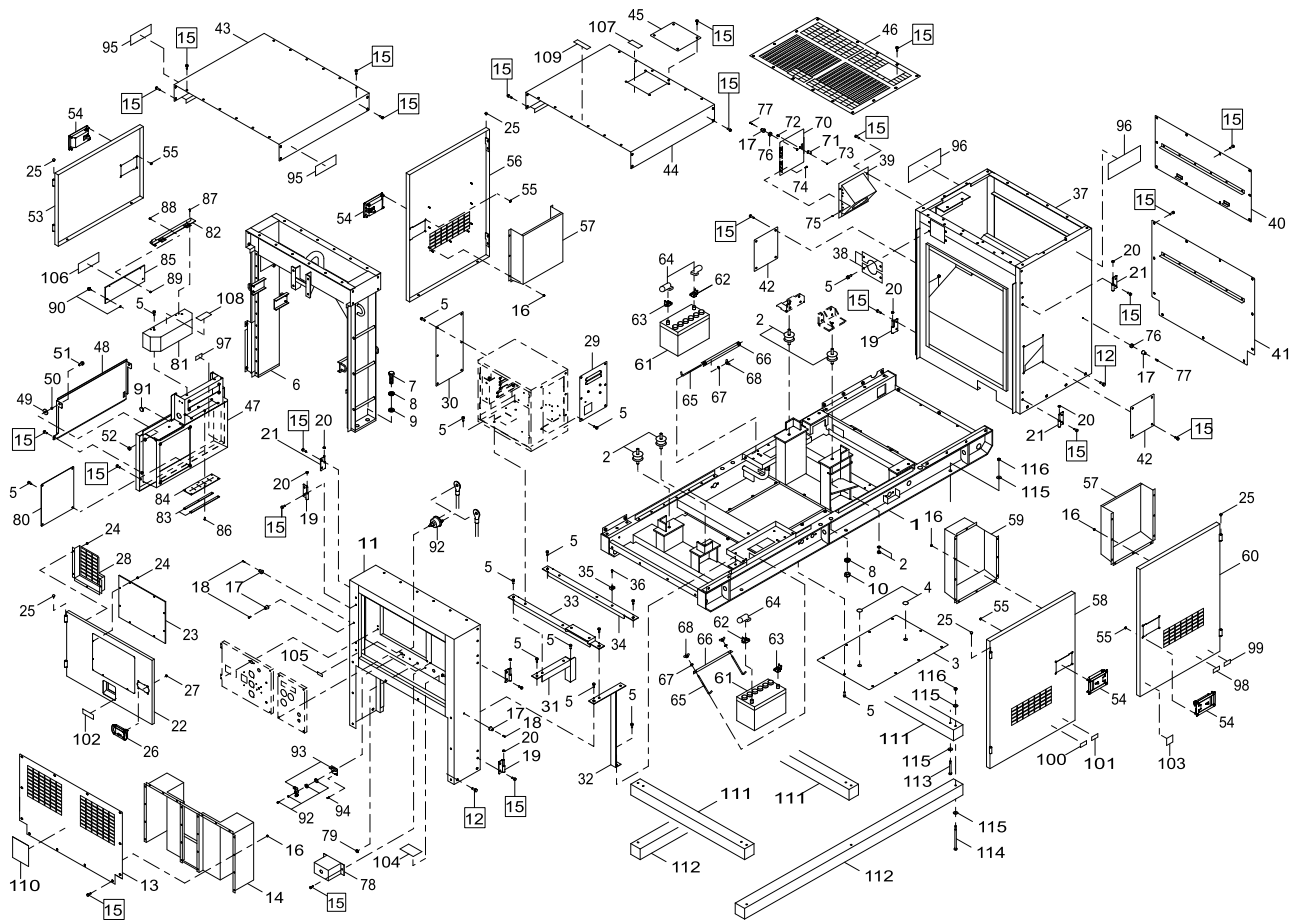
P016-001550-13Eb



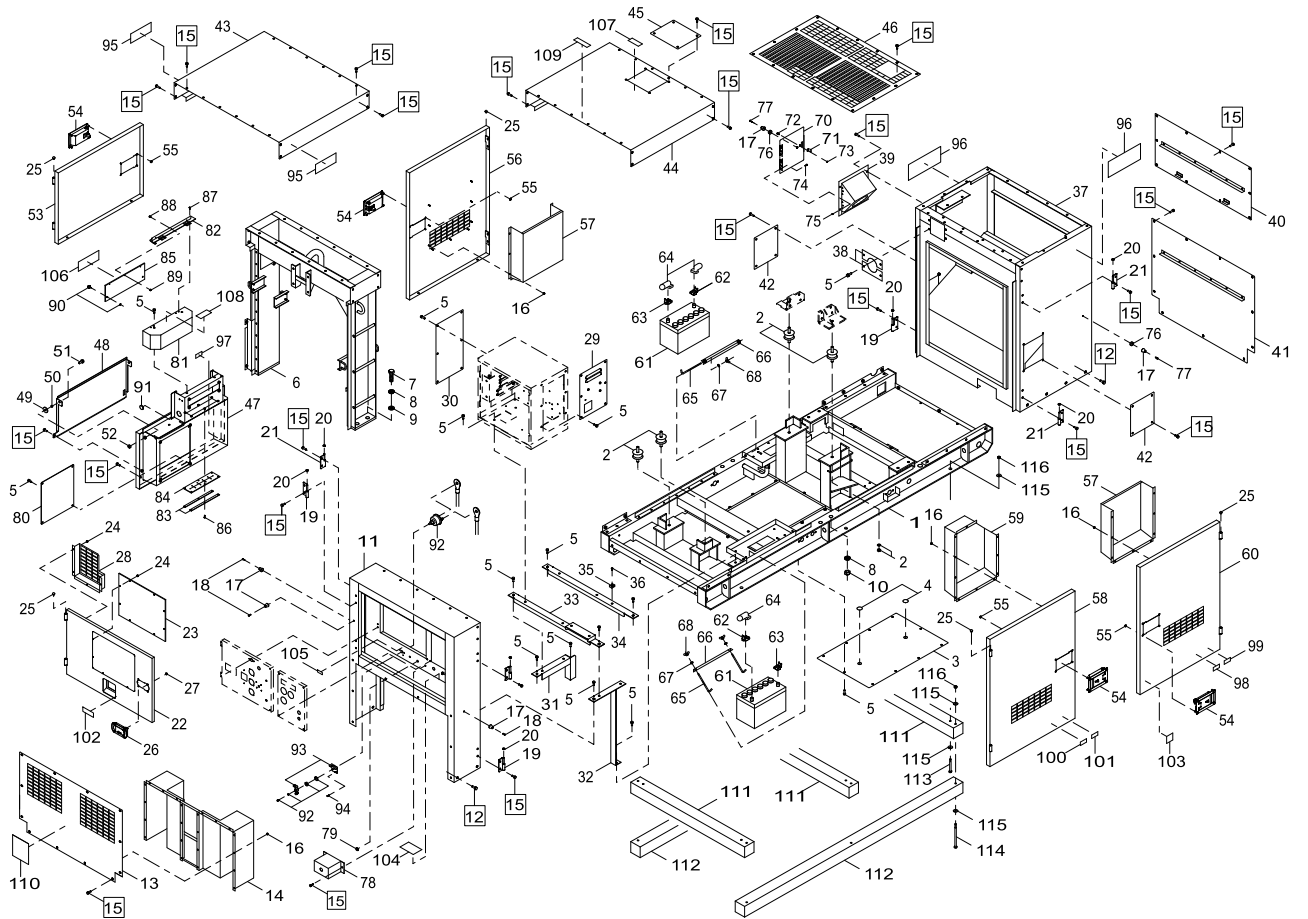
KEY	LV	PART NUMBE	Q'TY	DESCRIPTION	REMARKS
12		V490-000790	1	CLAMP	
13		900100-12050	4	BOLT 12*50	
18		G126-000080	1	TANK STAY	
19		900147-08020	22	BOLT 8*20	
20		C519-004560	1	STAY	
21		V204-001090	2	BOLT FT SW	
22		G121-000080	1	ENGINE STAY LEFT	
23		91014-10022	7	BOLT	
24		900605-00010	8	WASHER, SPRING 10	
25		G121-000090	1	ENGINE STAY RIGHT	
26		900501-00010	1	NUT 10*1.25	
28		C519-002580	1	BRACKET	
29		V254-000110	3	SCREW	
30		C519-002460	3	STAY	
31		M416-000010	3	TIE MOUNT	
32		91343-05012	3	SCREW	
33		900147-10020	3	BOLT	
34		G231-000320	1	FLEXIBLE TUBE	
36		V104-001690	1	GASKET	
37		91024-08035	4	BOLT	
38		92019-10000	8	NUT	
39		G230-000090	1	MUFFLER	
40		G250-000980	1	TANK,FUEL	
41	+	E111-000110	1	TANK CAP	
42	+	K329-000040	1	STRAINER	
43	+	91564-05010	5	SCREW SPW	
44	+	K221-000000	1	PACKING	
45		E325-000060	1	FUEL GAUGE	
46		V420-003050	2	PAD	
47		V420-003030	4	PAD	
48		V420-003060	4	PAD	
49		A392-000180	2	BAND,FUEL TANK	
50		V265-000290	8	FLANGE NUT	
51		V205-000630	2	BOLT	
52		900602-00008	2	WASHER 8	
53		V145-000320	1	TANK BUSH	
54		V187-000090	2	NIPPLE	
55		M416-000040	1	TIE MOUNT	
56		G260-000050	1	WATER SEDIMENTER	
57		91024-10030	2	BOLT	
58		E617-000060	1	SEDIMENTER STAY	
65		91022-06025	2	BOLT SW	
67		E265-000110	2	COCK	
68		C519-004060	1	STAY	
69		V187-000100	2	NIPPLE	
70		K401-000380	2	HOSE	
71		V495-001660	14	HOSE CLAMP	
73		K401-000340	1	HOSE	
74		K401-000400	1	HOSE	
75		K400-001510	2	HOSE	
76		V475-005700	1	TUBE	
77		V495-001670	4	HOSE CLAMP	
78		V471-002920	1	HOSE	
79		K401-000320	1	HOSE	
80		K401-000410	1	HOSE	
81		C153-000050	1	SOCKET	
83		V187-000110	2	NIPPLE	



KEY	LV	PART NUMBE	Q'TY	DESCRIPTION	REMARKS
84		E328-000110	2	DRAIN PLUG	
87		G213-000210	1	AIR HOSE	
90		V581-000370	2	O RING	
91		K313-000030	1	SOCKET	
92		V242-000260	1	NIPPLE	
93		K405-000210	1	HOSE	
94		V495-001710	3	HOSE CLAMP	
95		C153-000070	1	SOCKET	
102		V471-002910	1	HOSE	
103		V495-001720	2	HOSE CLAMP	
104		E265-000140	1	DRAIN COCK	
106		V187-000120	1	NIPPLE	
107		C153-000080	1	SOCKET	
108		900500-00008	2	NUT 8	
109		900147-10025	4	BOLT	
110		900605-00012	4	WASHER, SPRING 12	
111		900602-00012	4	WASHER 12	
112		G365-000030	1	GAUGE	
113		C100-000260	1	GAUGE	
114		M601-000010	1	ADAPTER	
115		G360-000400	1	WIRE HARNESS	
116		G031-002100	1	WIRE HARNESS ASSY	

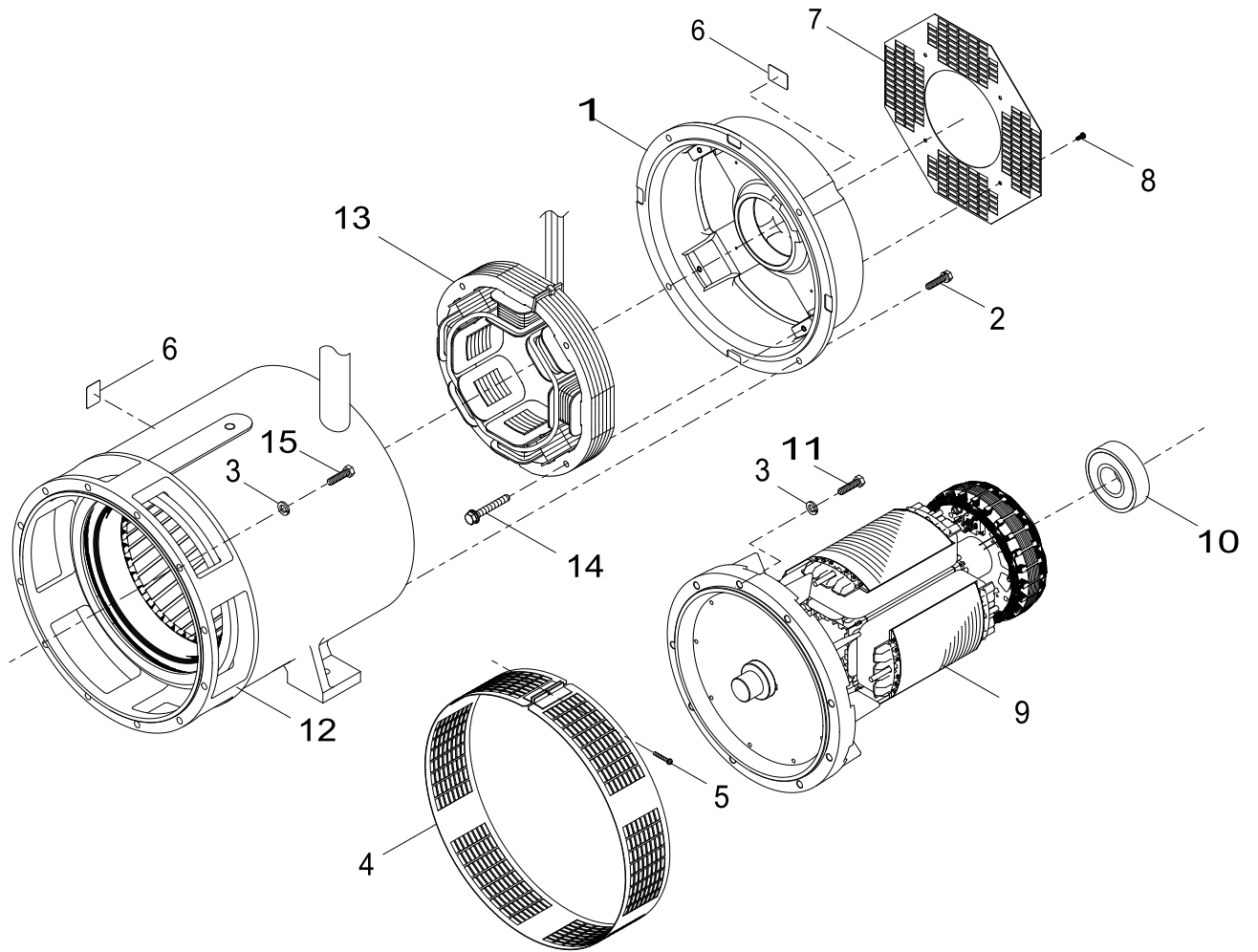


KEY	LV	PART NUMBE	Q'TY	DESCRIPTION	REMARKS
1		J405-000931	1	FRAME	
2		V405-000010	4	AV RUBBER	
3		J470-006310	1	COVER	
4		V144-000360	2	GROMMET	
5		900147-08020	44	BOLT 8*20	
6		J405-001170	1	CENTER FRAME	
7		91000-20060	4	BOLT	
8		900605-00020	8	WASHER, SPRING 20	
9		92201-20000	4	WASHER	
10		900500-00020	4	NUT 20	
11		J492-001560	1	BONNET	
12		91034-10020	12	BOLT SPW	
13		J425-000880	1	FRONT PLATE	
14		G122-000600	1	DUCT	
15		V205-000640	132	BOLT TAPPING	
16		V264-000230	52	FLANGE NUT	
17		V420-003070	5	STAND RUBBER	
18		91381-04020	3	SCREW TAPPING	
19		J485-000530	6	HINGE	
20		V375-000380	10	COLLAR	
21		J485-000540	4	HINGE	
22		M402-000470	1	DOOR,FRONT	
23		J425-000740	1	PANEL	
24		V263-000330	12	FLANGE NUT	
25		V162-000500	10	PLAG	
26		C701-000420	1	LOCK COVER	
27		V264-000220	4	FLANGE NUT	
28		J465-000500	1	STAND	
29		M417-000020	1	BOX COVER	
30		M417-000030	1	BOX COVER	
31		J465-000210	1	STAND BAR LEFT	
32		J465-000220	1	STAND BAR RIGHT	
33		J465-000230	1	STAND BAR FR	
34		J465-000240	1	STAND BAR REAR	
35		M416-000010	1	TIE MOUNT	
36		91343-05012	1	SCREW	
37		J492-001790	1	BONNET	
38		A301-000040	2	COVER	
39		J470-006440	1	COVER	
40		M415-000850	1	PLATE,REAR	
41		M415-000730	1	PLATE,REAR	
42		J480-001260	2	LID,COVER	
43		J410-000790	1	TOP COVER FR	
44		J492-000400	1	TOP COVER CENTER	
45		J480-000270	1	CHECK PLATE	
46		J410-000810	1	TOP COVER REAR	
47		J410-002560	1	BONNET	
48		J470-005870	1	COVER	
49		V420-003080	2	BUSH RUBBER	
50		V375-000410	2	COLLAR	
51		91024-10030	2	BOLT	
52		900500-00010	2	NUT 10	
53		M404-000490	1	LEFT DOOR FRONT	
54		C701-000440	4	LOCK COVER	
55		V265-000290	16	FLANGE NUT	
56		M404-000960	1	DOOR,LEFT	
57		A161-000180	2	DUCT	

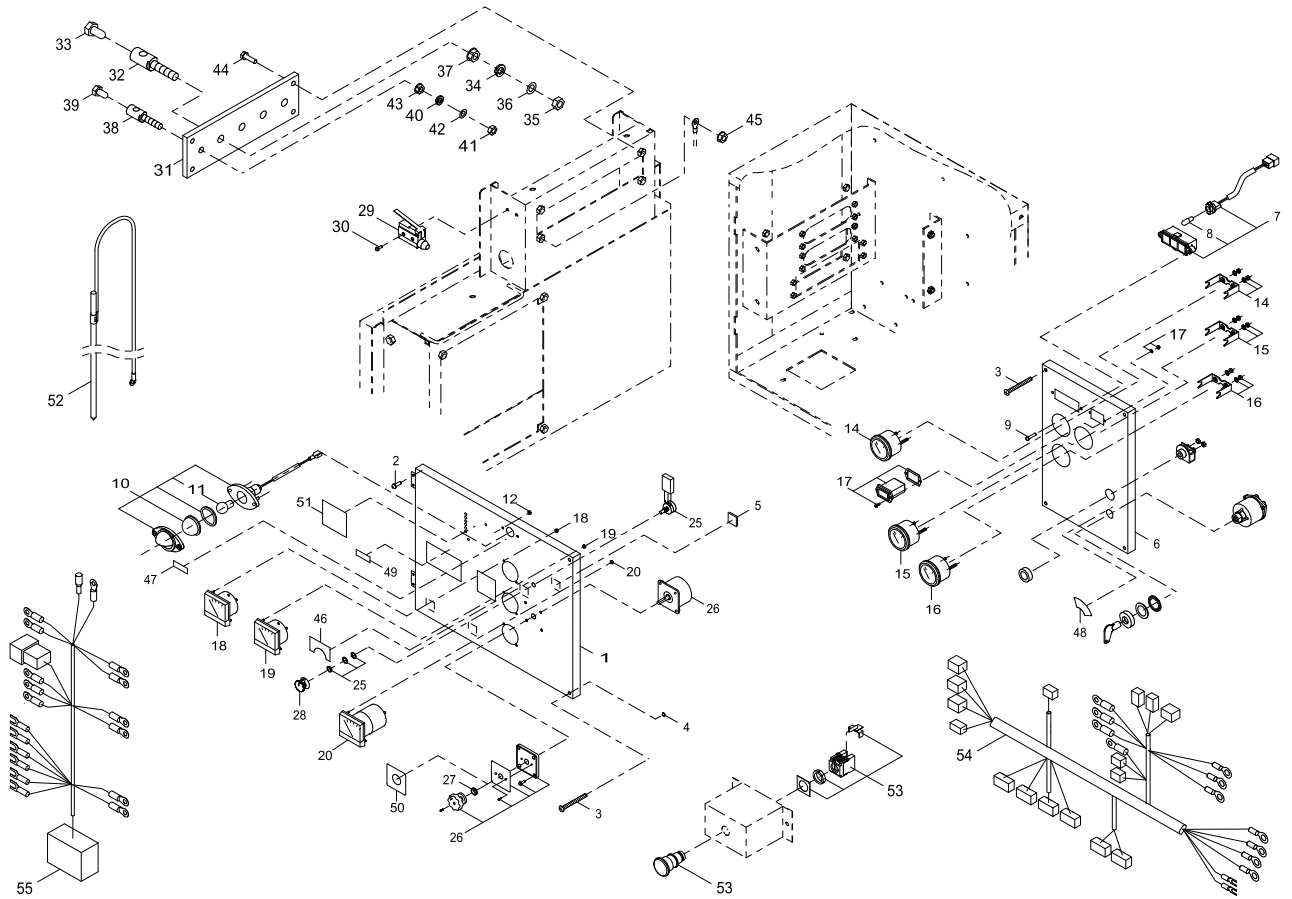


KEY	LV	PART NUMBE	Q'TY	DESCRIPTION	REMARKS
58		M406-000540	1	RIGHT DOOR FRONT	
59		G122-001620	1	DUCT,AIR	
60		M406-001340	1	DOOR,RIGHT	
61		V481-000150	2	BATTERY 95D31R	
62		V486-000200	2	TERMINAL	
63		V486-000210	2	TERMINAL	
64		G305-000040	3	TERMINAL CAP	
65		V240-000140	4	BOLT BATTERY	
66		G303-000370	2	HOLDER,BATTERY	
67		900602-00008	4	WASHER 8	
68		92190-08000	4	WING NUT	
70		J470-006480	1	FUEL COVER	
71		C390-000010	1	TONGUE	
72		91341-03010	2	SCREW-SW	
73		V261-000010	2	FLANGE NUT	
74		91564-04012	6	SCREW SW	
75		V262-000190	6	FLANGE NUT	
76		V420-003100	2	STAND RUBBER	
77		91341-04025	2	SCREW SW	
78		A472-000590	1	CASE,SWITCH	
79		V145-000450	1	GROMMET	
80		J425-003540	1	PANEL	
81		J470-005390	1	COVER	
82		C519-005170	1	STAY	
83		C444-000070	2	SUPPORT,GUARD	
84		J447-000220	1	RUBBER	
85		J425-000890	1	PANEL	
86		91491-05012	6	SCREW TAPPING	
87		91564-04010	4	SCREW SPW	
88		91564-04016	3	SCREW SPW	
90		M613-000040	2	KNOB	
91		V145-000330	1	GROMMET	
92		G334-000860	1	BATTERY SWITCH	
93		J141-000110	1	SWITCH LEVER SET	
94		91568-05012	2	SCREW SLPW	
95		X504-006550	2	LABEL,BRAND	
96		M705-000800	2	LABEL,FEATURE	
97		M704-000190	1	LABEL INST	
98		M704-000200	1	LABEL INST	
99		M704-000780	1	LABEL INST	
100		M704-000790	1	LABEL INST	
101		M704-000800	1	LABEL INST	
102		M707-000070	1	LABEL INST	
103		M704-000830	1	LABEL INST	
104		M704-000840	1	LABEL INST	
105		M707-000060	1	LABEL INST	
106		M704-002480	1	LABEL,INST	
107		X505-004650	1	LABEL CAUTION	
108		X505-004640	1	LABEL CAUTION	
109		X505-004630	1	LABEL CAUTION	
110		X505-004660	1	LABEL CAUTION	
111		C619-000310	3	BASE,FRAME	
112		C619-000320	2	BASE,FRAME	
113		V206-000570	6	BOLT,10	
114		V206-000410	6	BOLT	
115		C603-000290	24	SIDE PLATE	
116		900500-00010	12	NUT 10	

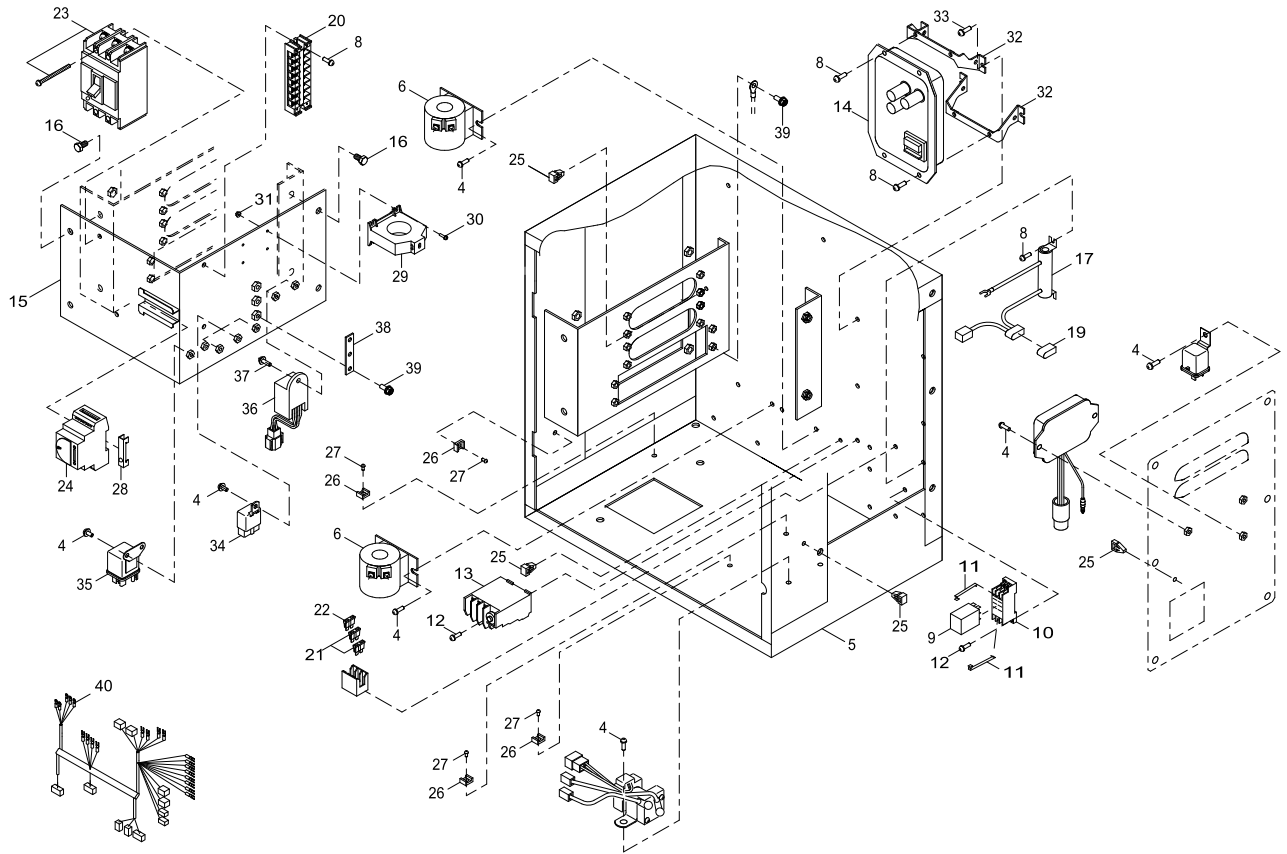
3 GENERATOR



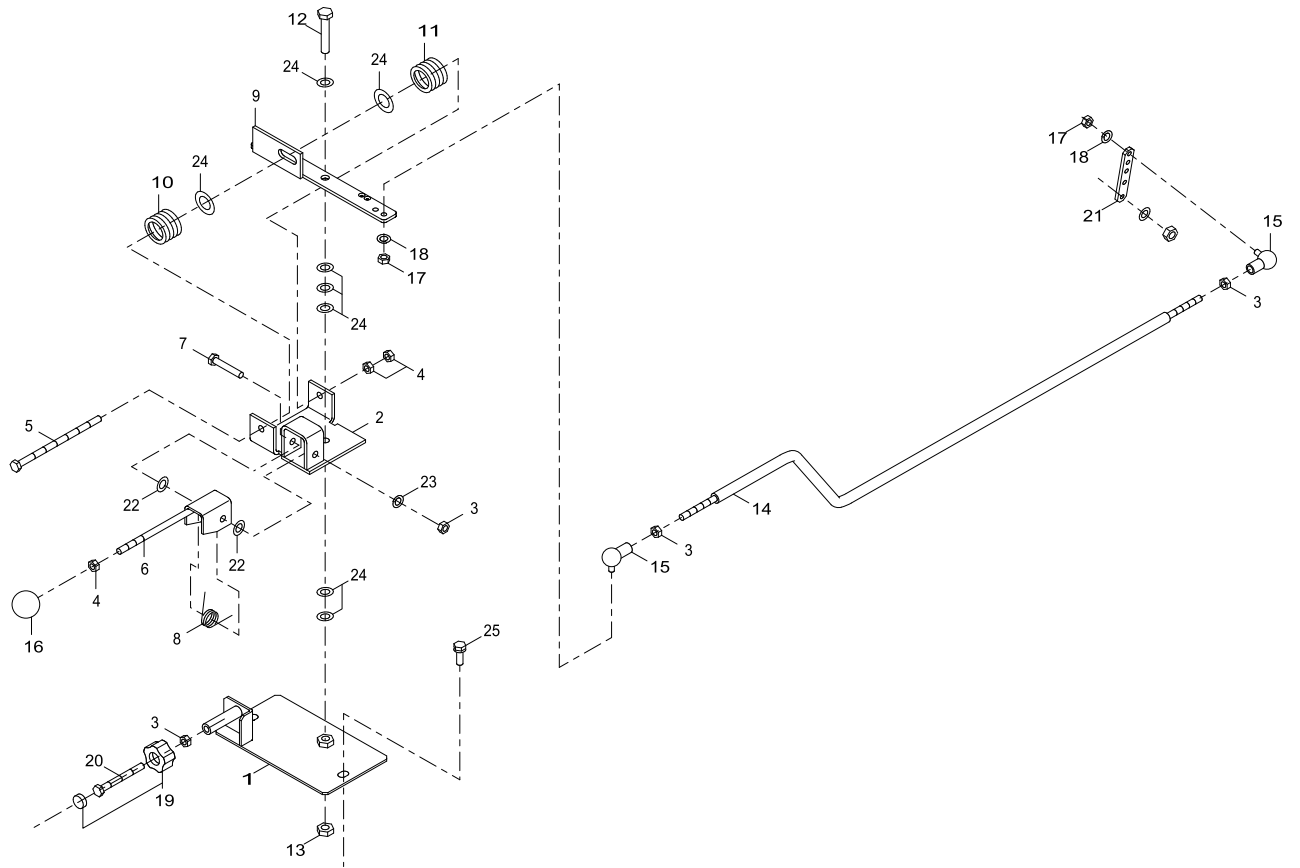
KEY	LV	PART NUMBE	Q'TY	DESCRIPTION	REMARKS
1		M305-000480	1	HOUSING	
2		91022-10035	4	BOLT SW	
3		900605-00010	20	WASHER, SPRING 10	
4		A172-001790	1	COVER,FAN	
5		91564-04030	1	SCREW SW	
6		M703-000020	2	LABEL THERMOMETER	
7		J470-006430	1	COVER	
8		91564-05010	4	SCREW SPW	
9		M102-000090	1	ROTOR	
10		V592-000160	1	BALL BEARING	
11		91026-10055	8	BOLT	
12		M106-001200	1	STATOR	
13		M106-000100	1	STARTOR	
14		91024-08050	4	BOLT SPW	
15		91026-10035	12	BOLT	



KEY	LV	PART NUMBE	Q'TY	DESCRIPTION	REMARKS
1		C160-001291	1	PANEL,OPERATION	
2		91564-04010	4	SCREW SPW	
3		91318-06040	6	SCREW	
4		V324-000010	2	WASHER	
5		M416-000040	4	TIE MOUNT	
6		C160-001300	1	PANEL,OPERATION	
7		G385-000010	1	MONITOR ASSY	
8	+	G328-000000	3	LAMP	
9		91374-04016	2	SCREW TAPPING	
10		M306-000000	1	LAMP BRACKET -SA	
11		G328-000190	1	BULB	
12		V262-000190	2	FLANGE NUT	
14		M109-000050	1	METER	
15		M109-000060	1	METER	
16		G318-000020	1	FUEL METER	
17		G319-000060	1	HOOR METER	
18		M109-000140	1	METER (V)	
19		M109-000010	1	METER	
20		M109-000000	1	METER	
25		M112-000010	1	VOLUME COMP	
26		G334-001300	1	SWITCH	
27		V144-000530	1	GROMMET	
28		E145-000060	1	DIAL	
29		G334-000730	1	LIMIT SWITCH	
30		91031-04030	2	BOLT SPW	
31		M307-000080	1	PLATE INST	
32		V229-000000	4	TERMINAL POST	
33		V211-000020	4	BOLT	
34		900605-00016	4	WASHER, SPRING 16	
35		92005-16000	4	NUT	
36		92227-16000	4	WASHER	
37		V270-000040	4	FLANGE NUT	
38		V227-000010	1	TERMINAL POST	
39		V207-000090	1	BOLT	
40		900605-00012	1	WASHER, SPRING 12	
41		92005-12000	1	NUT	
42		92227-12000	1	WASHER	
43		V268-000060	1	FLANGE NUT	
44		91024-08035	4	BOLT	
45		V265-000290	1	FLANGE NUT	
46		M704-000670	1	LABEL INST	
47		M704-000650	1	LABEL INST	
48		M704-000770	1	LABEL INST	
49		M704-000680	1	LABEL INST	
50		X510-000620	1	LABEL,SWITCH	
51		X524-002850	1	LABEL DESIGN	
52		M310-000090	1	EARTH ROD	
53		G334-000770	1	BUTTON SWITCH	
54		G031-003920	1	HARNESS,WIRE	
55		G031-003930	1	HARNESS,WIRE	



KEY	LV	PART NUMBE	Q'TY	DESCRIPTION	REMARKS
4		91568-05012	14	SCREW SLPW	
5		J430-000260	1	CONTROL BOX	
6		M108-000010	2	CT	
8		91564-04012	9	SCREW SW	
9		G343-000140	1	RELAY	
10		C153-000200	1	SOCKET	
11		C519-002640	2	STAY	
12		91564-04020	4	SCREW SPW	
13		G343-000240	1	THERMAL RELAY	
14		G370-000420	1	PRINTED CIRCUIT	
15		C519-005790	1	STAY	
16		900147-08020	4	BOLT 8*20	
17		M110-000020	1	RESISTOR COMP	
19		G347-000020	1	DIODE	
20		M308-000250	1	TERMINAL BLOCK	
21		G350-000230	2	FUSE	
22		G350-000190	1	FUSE	
23		M111-001160	1	BREAKER	
24		G343-000520	1	RELAY	
25		M416-000000	4	BAND STOPPER	
26		M416-000010	4	TIE MOUNT	
27		91343-05012	4	SCREW	
28		G257-000240	1	END PLATE	
29		M108-000260	1	CT,ASM	
30		91564-03012	4	SCREW SW	
31		V261-000010	4	FLANGE NUT	
32		C519-004690	2	STAY	
33		91564-05016	4	SCREW SW	
34		G343-000500	3	RELAY	
35		G343-000250	1	RELAY	
36		G370-000480	2	PRINTED CIRCUIT	
37		91564-05014	2	SCREW SW	
38		V150-003140	1	PLATE,EYE	
39		91036-06016	4	BOLT SW	
40		G360-002010	1	HARNES, WIRE	



KEY	LV	PART NUMBE	Q'TY	DESCRIPTION	REMARKS
1		C802-000030	1	HANDLE BASE	
2		C519-002560	1	JOINT PLATE	
3		900500-00008	4	NUT 8	
4		900502-00008	3	NUT 8 (3N)	
5		V205-000870	1	BOLT	
6		C453-000380	1	THROTTLE LEVER	
7		900100-08065	1	BOLT 8*65	
8		V452-001050	1	COIL SPRING	
9		C519-002570	1	BAR	
10		V450-001260	1	COIL SPRING	
11		V450-001270	1	COIL SPRING	
12		900100-10040	1	BOLT 10*40	
13		900500-00010	1	NUT 10	
14		C532-000250	1	CONNECTING ROD	
15		J221-000010	2	BALL JOINT	
16		G179-000130	1	GRIP	
17		900500-00006	2	NUT 6	
18		900605-00006	2	WASHER, SPRING 6	
19		M613-000010	1	KNOB	
20		V205-000630	1	BOLT	
21		J361-000370	1	GOVERNOR LEVER	
22		900602-00008	2	WASHER 8	
23		900605-00008	1	WASHER, SPRING 8	
24		900602-00010	8	WASHER 10(10.5*21*2)	
25		900147-08020	2	BOLT 8*20	

Index

Patrs Number	Key No.	Patrs Number	Key No.	Patrs Number	Key No.
900100-08065	6 - 7	91343-05012	2 - 36	C519-005170	2 - 82
900100-10040	6 - 12	91343-05012	5 - 27	C519-005790	5 - 15
900100-12050	1 - 13	91374-04016	4 - 9	C532-000250	6 - 14
900147-08020	1 - 19	91381-04020	2 - 18	C603-000290	2 - 115
900147-08020	2 - 5	91491-05012	2 - 86	C619-000310	2 - 111
900147-08020	5 - 16	91564-03012	5 - 30	C619-000320	2 - 112
900147-08020	6 - 25	91564-04010	2 - 87	C701-000420	2 - 26
900147-10020	1 - 33	91564-04010	4 - 2	C701-000440	2 - 54
900147-10025	1 - 109	91564-04012	2 - 74	C802-000030	6 - 1
900500-00006	6 - 17	91564-04012	5 - 8	E111-000110	1 - 41
900500-00008	1 - 108	91564-04016	2 - 88	E145-000060	4 - 28
900500-00008	6 - 3	91564-04020	5 - 12	E265-000110	1 - 67
900500-00010	2 - 116	91564-04030	3 - 5	E265-000140	1 - 104
900500-00010	2 - 52	91564-05010	1 - 43	E325-000060	1 - 45
900500-00010	6 - 13	91564-05010	3 - 8	E328-000110	1 - 84
900500-00020	2 - 10	91564-05014	5 - 37	E617-000060	1 - 58
900501-00010	1 - 26	91564-05016	5 - 33	G031-002100	1 - 116
900502-00008	6 - 4	91568-05012	2 - 94	G031-003920	4 - 54
900602-00008	1 - 52	91568-05012	5 - 4	G031-003930	4 - 55
900602-00008	2 - 67	92005-12000	4 - 41	G121-000080	1 - 22
900602-00008	6 - 22	92005-16000	4 - 35	G121-000090	1 - 25
900602-00010	6 - 24	92019-10000	1 - 38	G122-000600	2 - 14
900602-00012	1 - 111	92190-08000	2 - 68	G122-001620	2 - 59
900605-00006	6 - 18	92201-20000	2 - 9	G126-000080	1 - 18
900605-00008	6 - 23	92227-12000	4 - 42	G179-000130	6 - 16
900605-00010	1 - 24	92227-16000	4 - 36	G213-000210	1 - 87
900605-00010	3 - 3	A161-000180	2 - 57	G230-000090	1 - 39
900605-00012	1 - 110	A172-001790	3 - 4	G231-000320	1 - 34
900605-00012	4 - 40	A301-000040	2 - 38	G250-000980	1 - 40
900605-00016	4 - 34	A392-000180	1 - 49	G257-000240	5 - 28
900605-00020	2 - 8	A472-000590	2 - 78	G260-000050	1 - 56
91000-20060	2 - 7	C100-000260	1 - 113	G303-000370	2 - 66
91014-10022	1 - 23	C153-000050	1 - 81	G305-000040	2 - 64
91022-06025	1 - 65	C153-000070	1 - 95	G318-000020	4 - 16
91022-10035	3 - 2	C153-000080	1 - 107	G319-000060	4 - 17
91024-08035	1 - 37	C153-000200	5 - 10	G328-000000	4 - 8
91024-08035	4 - 44	C160-001291	4 - 1	G328-000190	4 - 11
91024-08050	3 - 14	C160-001300	4 - 6	G334-000730	4 - 29
91024-10030	1 - 57	C390-000010	2 - 71	G334-000770	4 - 53
91024-10030	2 - 51	C444-000070	2 - 83	G334-000860	2 - 92
91026-10035	3 - 15	C453-000380	6 - 6	G334-001300	4 - 26
91026-10055	3 - 11	C519-002460	1 - 30	G343-000140	5 - 9
91031-04030	4 - 30	C519-002560	6 - 2	G343-000240	5 - 13
91034-10020	2 - 12	C519-002570	6 - 9	G343-000250	5 - 35
91036-06016	5 - 39	C519-002580	1 - 28	G343-000500	5 - 34
91318-06040	4 - 3	C519-002640	5 - 11	G343-000520	5 - 24
91341-03010	2 - 72	C519-004060	1 - 68	G347-000020	5 - 19
91341-04025	2 - 77	C519-004560	1 - 20	G350-000190	5 - 22
91343-05012	1 - 32	C519-004690	5 - 32	G350-000230	5 - 21

Index

Patrs Number	Key No.	Patrs Number	Key No.	Patrs Number	Key No.
G360-000400	1 - 115	M106-000100	3 - 13	M707-000060	2 - 105
G360-002010	5 - 40	M106-001200	3 - 12	M707-000070	2 - 102
G365-000030	1 - 112	M108-000010	5 - 6	V104-001690	1 - 36
G370-000420	5 - 14	M108-000260	5 - 29	V144-000360	2 - 4
G370-000480	5 - 36	M109-000000	4 - 20	V144-000530	4 - 27
G385-000010	4 - 7	M109-000010	4 - 19	V145-000320	1 - 53
J141-000110	2 - 93	M109-000050	4 - 14	V145-000330	2 - 91
J221-000010	6 - 15	M109-000060	4 - 15	V145-000450	2 - 79
J361-000370	6 - 21	M109-000140	4 - 18	V150-003140	5 - 38
J405-000931	2 - 1	M110-000020	5 - 17	V162-000500	2 - 25
J405-001170	2 - 6	M111-001160	5 - 23	V187-000090	1 - 54
J410-000790	2 - 43	M112-000010	4 - 25	V187-000100	1 - 69
J410-000810	2 - 46	M305-000480	3 - 1	V187-000110	1 - 83
J410-002560	2 - 47	M306-000000	4 - 10	V187-000120	1 - 106
J425-000740	2 - 23	M307-000080	4 - 31	V204-001090	1 - 21
J425-000880	2 - 13	M308-000250	5 - 20	V205-000630	1 - 51
J425-000890	2 - 85	M310-000090	4 - 52	V205-000630	6 - 20
J425-003540	2 - 80	M402-000470	2 - 22	V205-000640	2 - 15
J430-000260	5 - 5	M404-000490	2 - 53	V205-000870	6 - 5
J447-000220	2 - 84	M404-000960	2 - 56	V206-000410	2 - 114
J465-000210	2 - 31	M406-000540	2 - 58	V206-000570	2 - 113
J465-000220	2 - 32	M406-001340	2 - 60	V207-000090	4 - 39
J465-000230	2 - 33	M415-000730	2 - 41	V211-000020	4 - 33
J465-000240	2 - 34	M415-000850	2 - 40	V227-000010	4 - 38
J465-000500	2 - 28	M416-000000	5 - 25	V229-000000	4 - 32
J470-005390	2 - 81	M416-000010	1 - 31	V240-000140	2 - 65
J470-005870	2 - 48	M416-000010	2 - 35	V242-000260	1 - 92
J470-006310	2 - 3	M416-000010	5 - 26	V254-000110	1 - 29
J470-006430	3 - 7	M416-000040	1 - 55	V261-000010	2 - 73
J470-006440	2 - 39	M416-000040	4 - 5	V261-000010	5 - 31
J470-006480	2 - 70	M417-000020	2 - 29	V262-000190	2 - 75
J480-000270	2 - 45	M417-000030	2 - 30	V262-000190	4 - 12
J480-001260	2 - 42	M601-000010	1 - 114	V263-000330	2 - 24
J485-000530	2 - 19	M613-000010	6 - 19	V264-000220	2 - 27
J485-000540	2 - 21	M613-000040	2 - 90	V264-000230	2 - 16
J492-000400	2 - 44	M703-000020	3 - 6	V265-000290	1 - 50
J492-001560	2 - 11	M704-000190	2 - 97	V265-000290	2 - 55
J492-001790	2 - 37	M704-000200	2 - 98	V265-000290	4 - 45
K221-000000	1 - 44	M704-000650	4 - 47	V268-000060	4 - 43
K313-000030	1 - 91	M704-000670	4 - 46	V270-000040	4 - 37
K329-000040	1 - 42	M704-000680	4 - 49	V324-000010	4 - 4
K400-001510	1 - 75	M704-000770	4 - 48	V375-000380	2 - 20
K401-000320	1 - 79	M704-000780	2 - 99	V375-000410	2 - 50
K401-000340	1 - 73	M704-000790	2 - 100	V405-000010	2 - 2
K401-000380	1 - 70	M704-000800	2 - 101	V420-003030	1 - 47
K401-000400	1 - 74	M704-000830	2 - 103	V420-003050	1 - 46
K401-000410	1 - 80	M704-000840	2 - 104	V420-003060	1 - 48
K405-000210	1 - 93	M704-002480	2 - 106	V420-003070	2 - 17
M102-000090	3 - 9	M705-000800	2 - 96	V420-003080	2 - 49

Index

Patrs Number	Key No.	Patrs Number	Key No.	Patrs Number	Key No.
V420-003100	2 - 76				
V450-001260	6 - 10				
V450-001270	6 - 11				
V452-001050	6 - 8				
V471-002910	1 - 102				
V471-002920	1 - 78				
V475-005700	1 - 76				
V481-000150	2 - 61				
V486-000200	2 - 62				
V486-000210	2 - 63				
V490-000790	1 - 12				
V495-001660	1 - 71				
V495-001670	1 - 77				
V495-001710	1 - 94				
V495-001720	1 - 103				
V581-000370	1 - 90				
V592-000160	3 - 10				
X504-006550	2 - 95				
X505-004630	2 - 109				
X505-004640	2 - 108				
X505-004650	2 - 107				
X505-004660	2 - 110				
X510-000620	4 - 50				
X524-002850	4 - 51				

YAMABIKO CORPORATION

7-2 SUEHIROCHO 1-CHOME, OHME, TOKYO 198-8760, JAPAN
PHONE: 81-428-32-6118. FAX: 81-428-32-6145.

shindaiwa[®]

13Eb
No. 05-190