

shindaiwa[®]

PARTS CATALOGUE

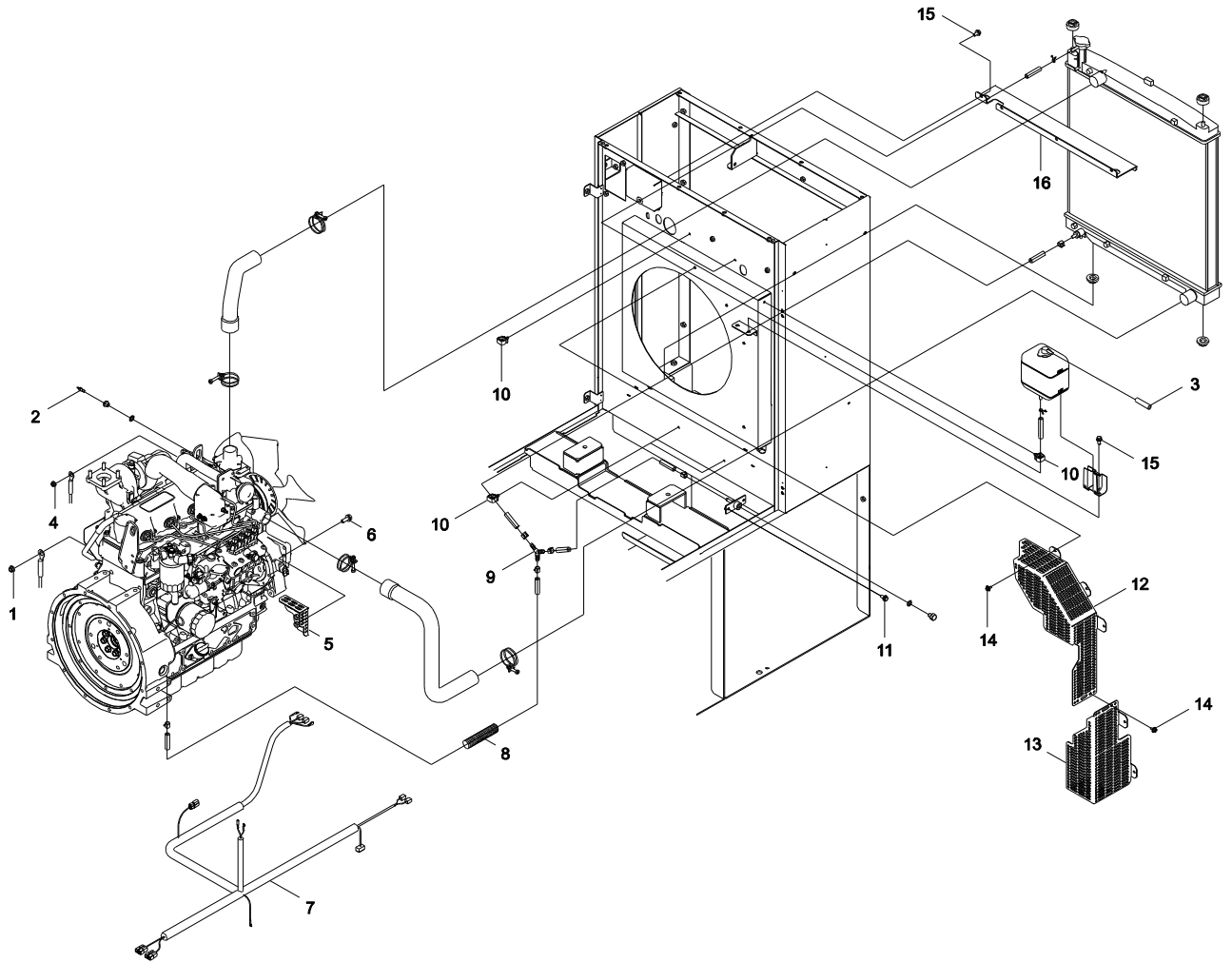
DG37MK-P/ANZ

01000001 -

P016-002660-15E

1. ENGINE, RADIATOR

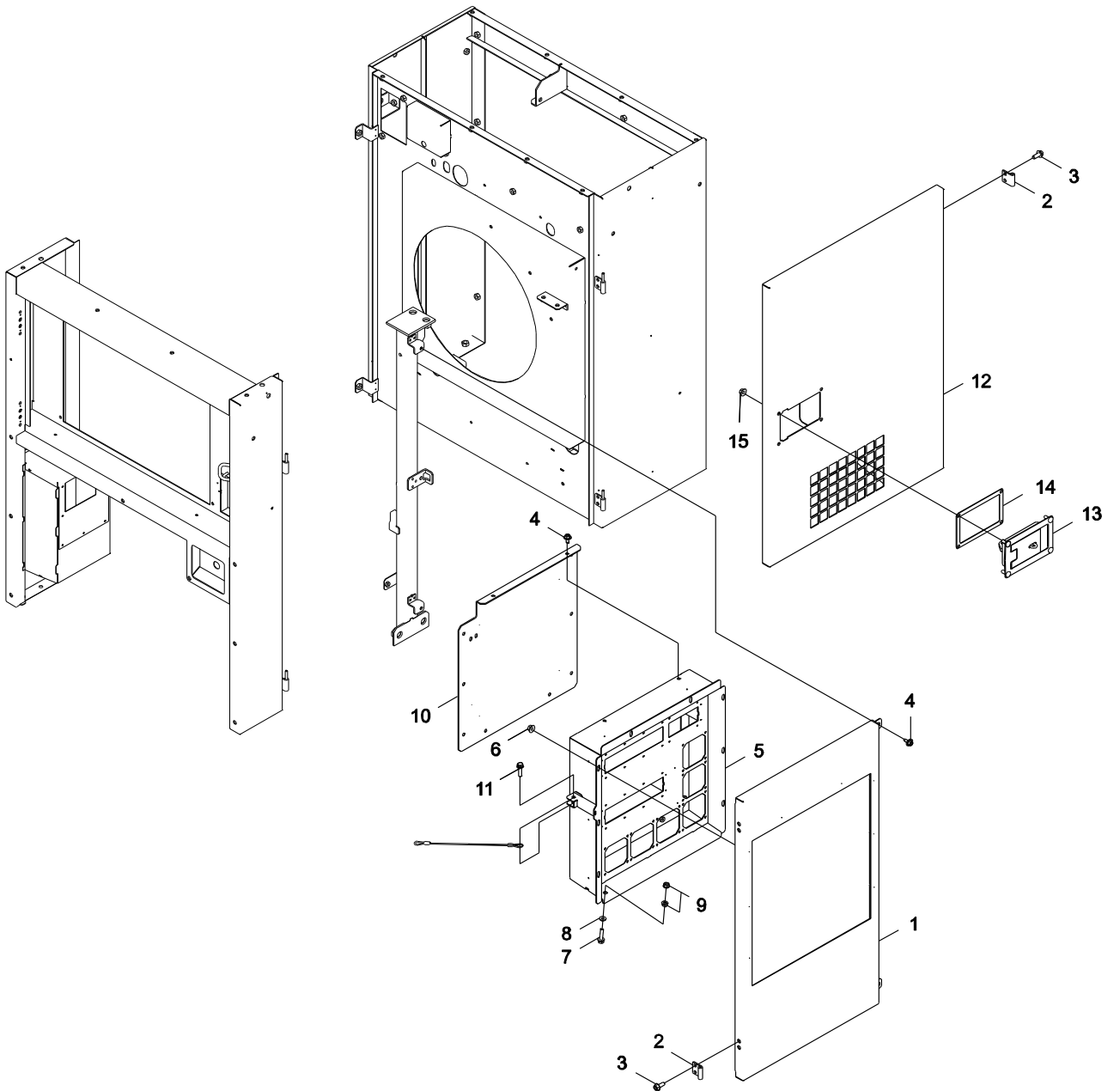
DG37MK-P/ANZ



KEY	LV	PART NUMBER	Q'TY	DESCRIPTION	REMARKS	NOTE1	NOTE2
1		V265-000290	1	FLANGE NUT			
2		G365-000040	1	GAUGE			
3		K400-001900	1	HOSE			
4		V264-000220	1	FLANGE NUT			
5		A172-002860	1	COVER,FAN			
6		91024-10040	2	BOLT	BM-10*40W/SW		
7		G362-000591	1	HARNESS,WIRE			
8		V475-006030	1	TUBE			
9		M601-000170	1	JOINT			
10		V495-002510	5	BAND			
11		V205-001120	2	BOLT,8	BM-8*20 W SW		
12		A172-002870	1	COVER,FAN			
13		A172-002880	1	COVER,FAN			
14		V204-001090	7	BOLT FT SW			
15		V205-001170	6	BOLT,8	M8*20-SPW		
16		G201-000490	1	BRACKET,RADIATOR			

2. RIGHT COVER

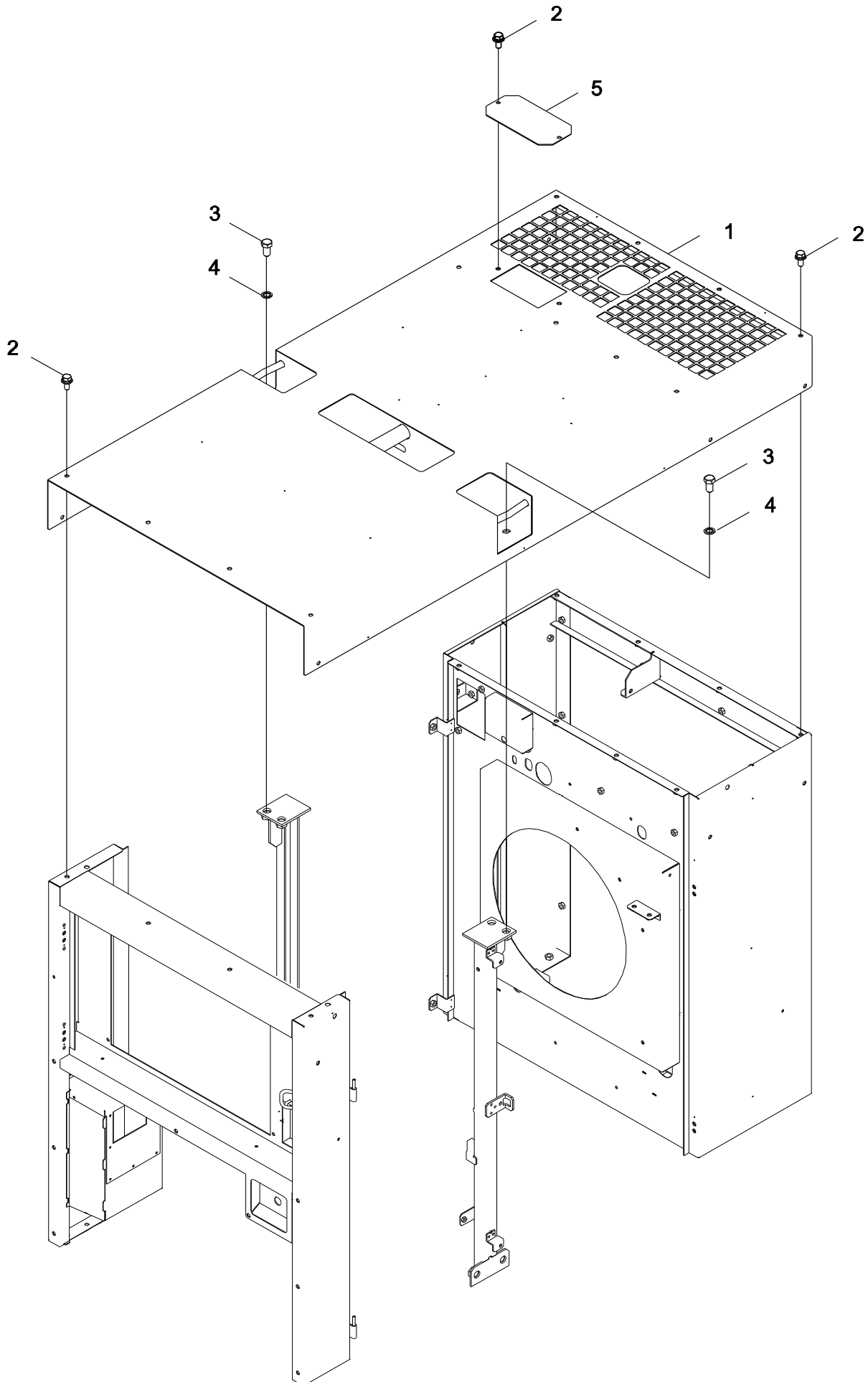
DG37MK-P/ANZ



KEY	LV	PART NUMBER	Q'TY	DESCRIPTION	REMARKS	NOTE1	NOTE2
1		M409-001120	1	DOOR,SIDE			
2		J485-000280	4	HINGE			
3		91083-08020	8	FLANGE BOLT			
4		V204-001090	12	BOLT FT SW			
5		C160-001590	1	PANEL,OPERATION			
6		V264-000220	8	FLANGE NUT			
7		91034-08040	1	BOLT SW			
8		900602-00008	1	WASHER 8	8.4*17*1.6		
9		V265-000450	2	NUT,8			
10		M470-002980	1	COVER			
11		91024-08035	1	BOLT	BM-8*35/W,SW		
12		M407-000041	1	DOOR,RIGHT			
13		C701-000440	1	LOCK COVER			
14		V541-000350	1	SHEET			
15		V265-000290	4	FLANGE NUT			

3. TOP COVER

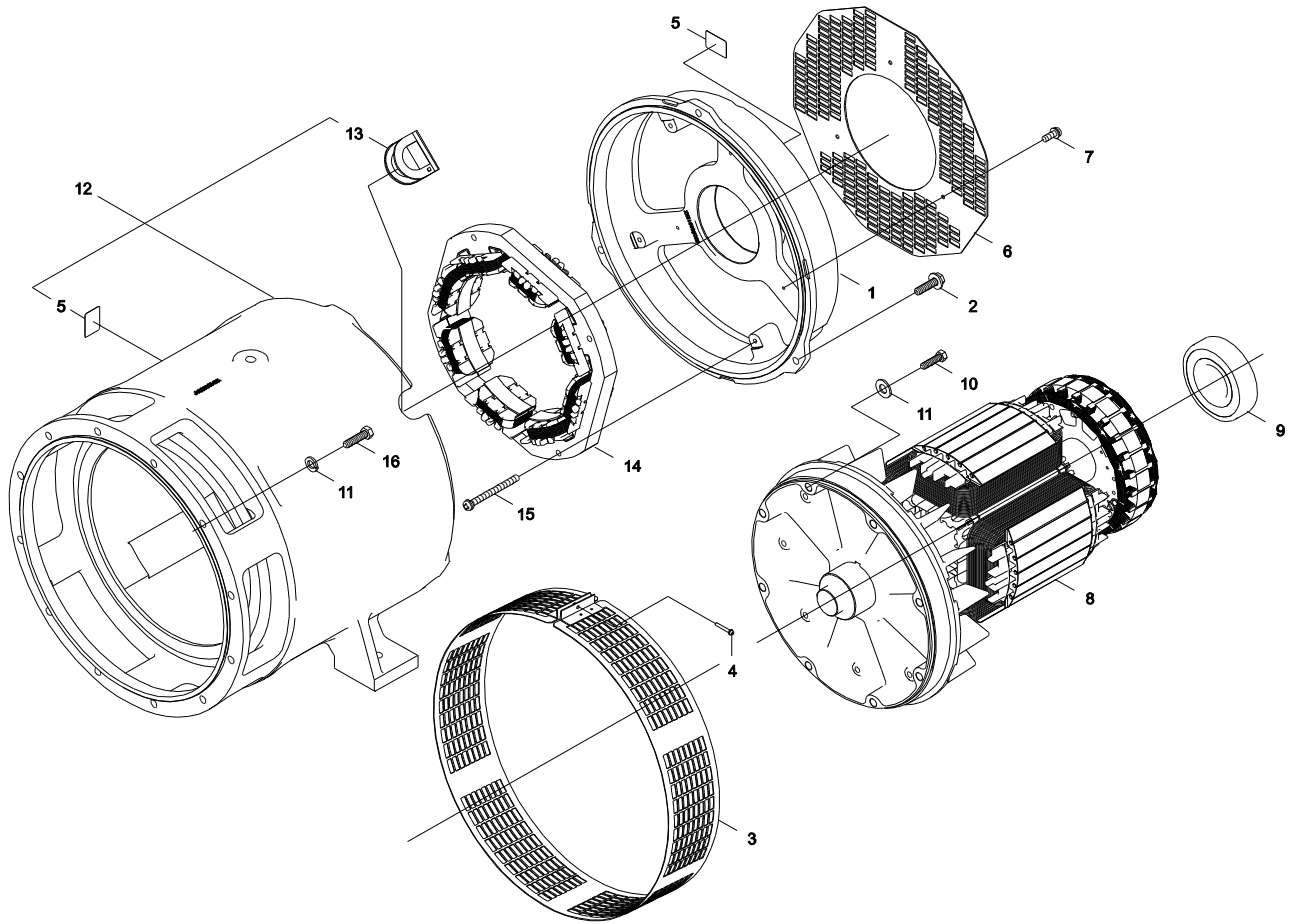
DG37MK-P/ANZ



KEY	LV	PART NUMBER	Q'TY	DESCRIPTION	REMARKS	NOTE1	NOTE2
1		J494-000412	1	BONNET			
2		V205-001120	21	BOLT,8	BM-8*20 W SW		
3		900104-16030	4	BOLT 16*30 SUS	16*30 SUS		
4		V109-000210	4	GASKET			
5		J480-000930	1	LID,COVER			

4. GENERATOR

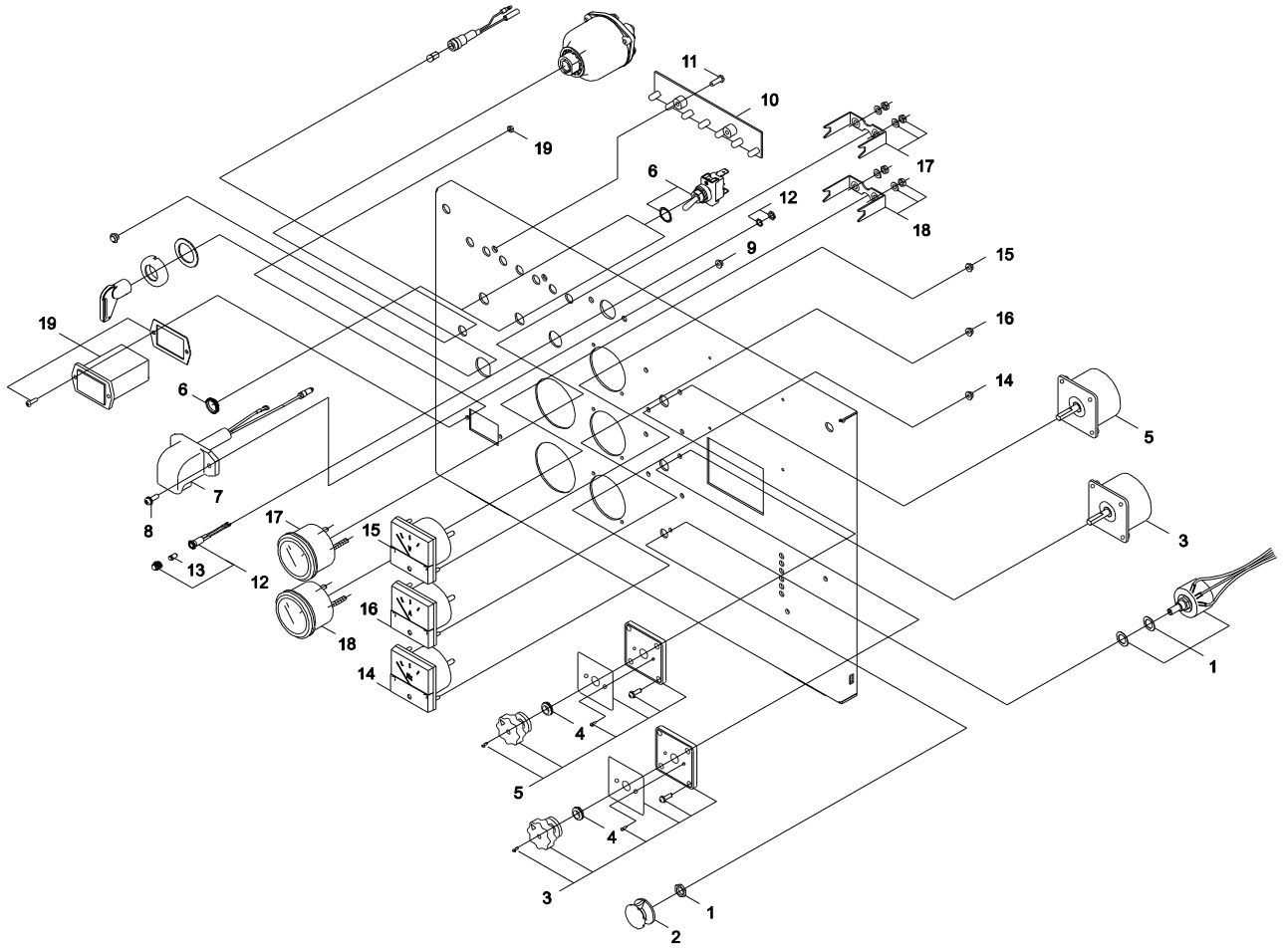
DG37MK-P/ANZ



KEY	LV	PART NUMBER	Q'TY	DESCRIPTION	REMARKS	NOTE1	NOTE2
1		M305-000510	1	HOUSING			
2		91022-10035	3	BOLT SW			
3		A172-002160	1	COVER,FAN			
4		91031-04030	1	BOLT SPW			
5		M703-000020	1	LABEL THERMOMETER			
6		M470-000980	1	COVER			
7		91031-05012	3	BOLT SW			
8		M102-000550	1	ROTOR			
9		V592-000160	1	BALL BEARING			
10		91026-10060	8	BOLT	B10*60 10.9		
11		900605-00010	8	WASHER, SPRING 10	10		
12		A041-000600	1	STATOR ASSEMBLY			
13	+	V144-000610	1	GROMMET			
5	+	M703-000020	1	LABEL THERMOMETER			
14		A041-000340	1	STATOR ASSEMBLY			
15		91024-08040	4	BOLT SW			
16		91026-10030	12	BOLT			

5. CONTROL PANEL

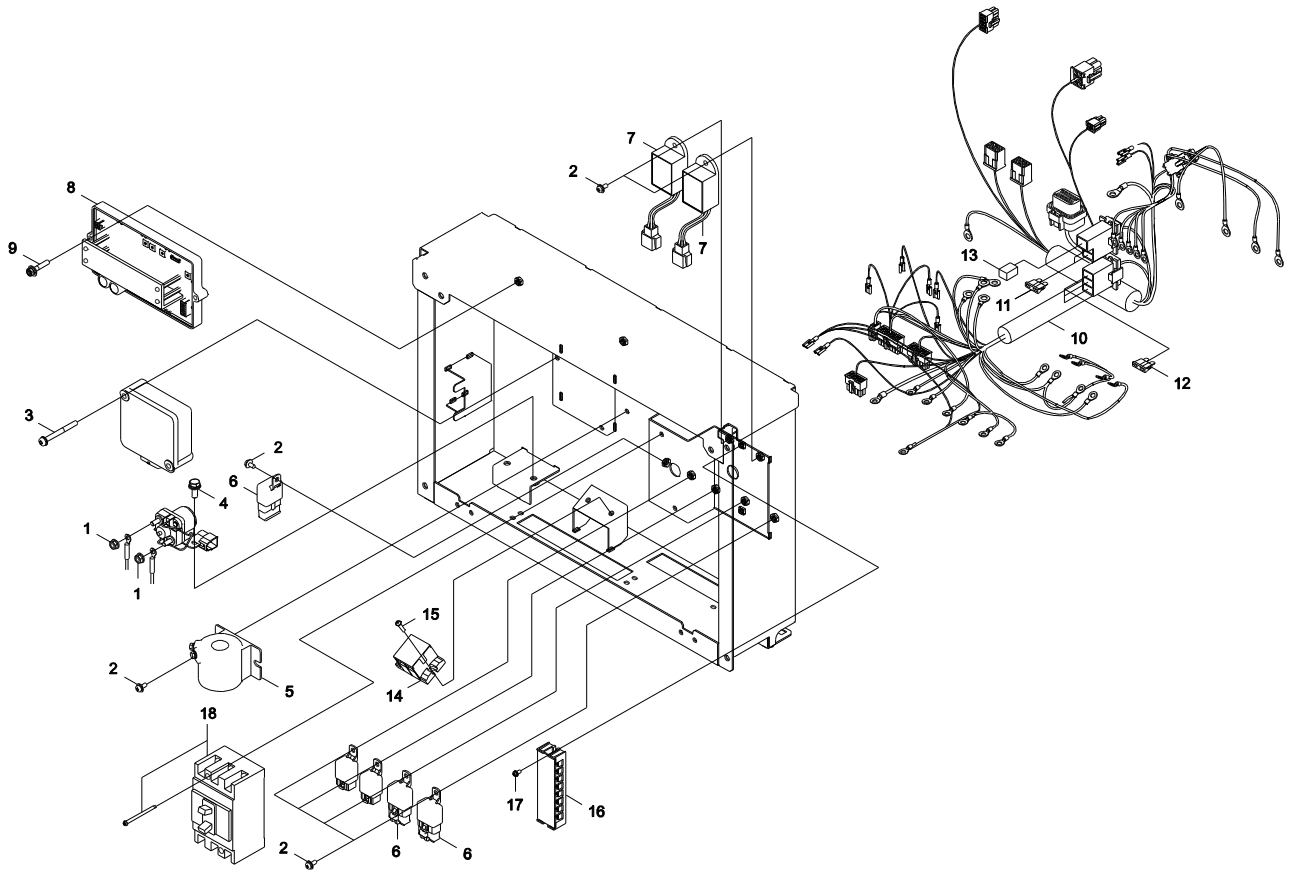
DG37MK-P/ANZ



KEY	LV	PART NUMBER	Q'TY	DESCRIPTION	REMARKS	NOTE1	NOTE2
1		M112-000010	1	VOLUME COMP			
2		E145-000060	1	DIAL			
3		G334-001300	1	SWITCH			
4		V144-000530	2	GROMMET			
5		G334-001310	1	SWITCH			
6		A045-000510	2	TOGGLE SWITCH			
7		G327-000400	1	LAMP,PILOT	N6210-60001		
8		91575-04016	2	SCREW PM SPW			
9		V262-000190	2	FLANGE NUT			
10		C124-000230	1	MODULE,CIRCUIT			
11		91461-04014	2	SCREW			
12		G327-000540	1	LAMP,PILOT			
13	+	G328-000060	1	LAMP			
14		M109-000410	1	METER			
15		M109-000140	1	METER (V)			
16		M109-000240	1	METER			
17		M109-000210	1	METER (COOLANT TEMP)			
18		G318-000010	1	FUEL METER			
19		G319-000060	1	HOUR METER			

6. CONTROL BOX

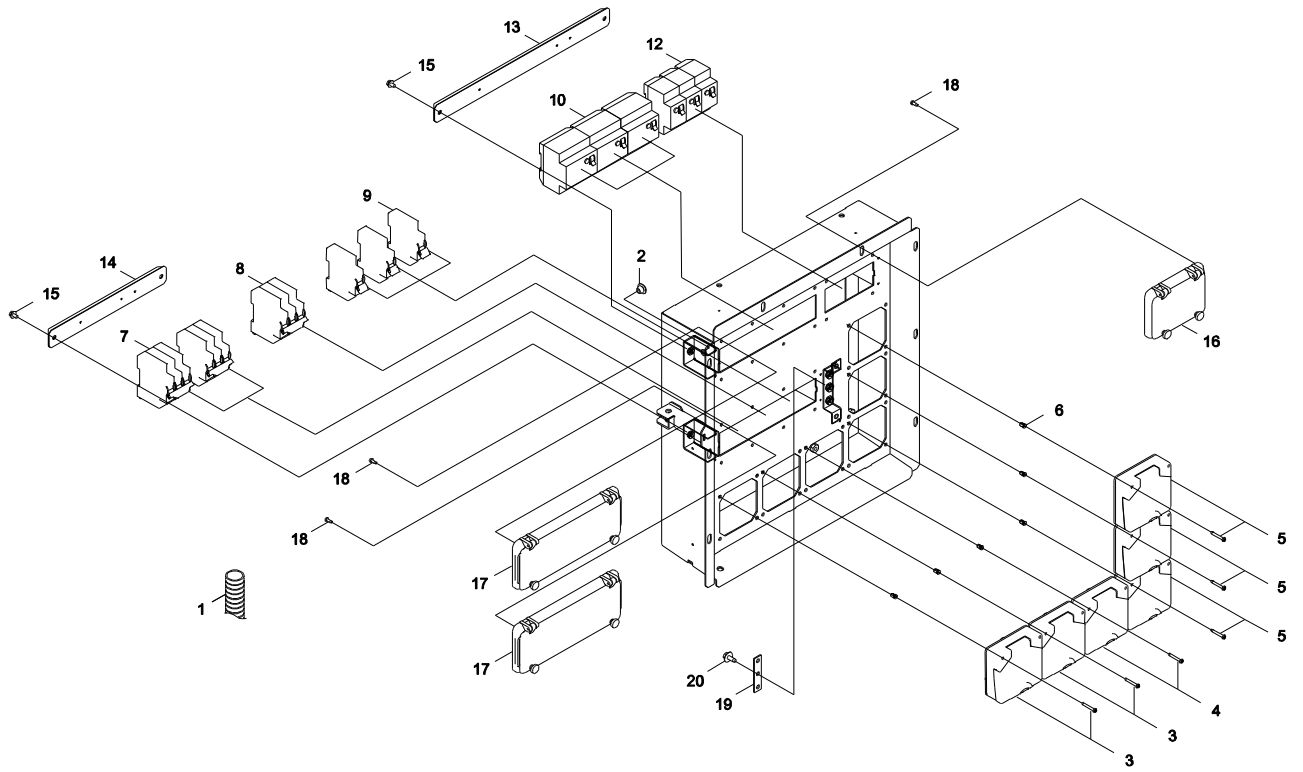
DG37MK-P/ANZ



KEY	LV	PART NUMBER	Q'TY	DESCRIPTION	REMARKS	NOTE1	NOTE2
1		V264-000220	2	FLANGE NUT			
2		91568-05012	11	SCREW SLPW			
3		91564-05050	2	SCREW SW			
4		91564-06016	2	SCREW SW			
5		M108-000010	2	CT			
6		G343-000490	3	RELAY			
7		G370-000470	2	PRINT CIRCUIT			
8		G370-001760	1	UNIT,CONTROL			
9		91036-05025	2	BOLT SW			
10		G360-002130	1	HARNESS,WIRE			
11	+	G350-000520	2	FUSE	10A		
12	+	G350-000410	3	FUSE	7127-5060 5A		
13	+	G350-000420	1	FUSE			
14		M308-000520	1	BLOCK,TERMINAL			
15		V252-000540	2	SCREW TAPPING			
16		M308-000250	1	TERMINAL BLOCK			
17		91564-04016	2	SCREW SPW			
18		M111-000470	1	BREAKER			

7. OUTPUT TERMINAL

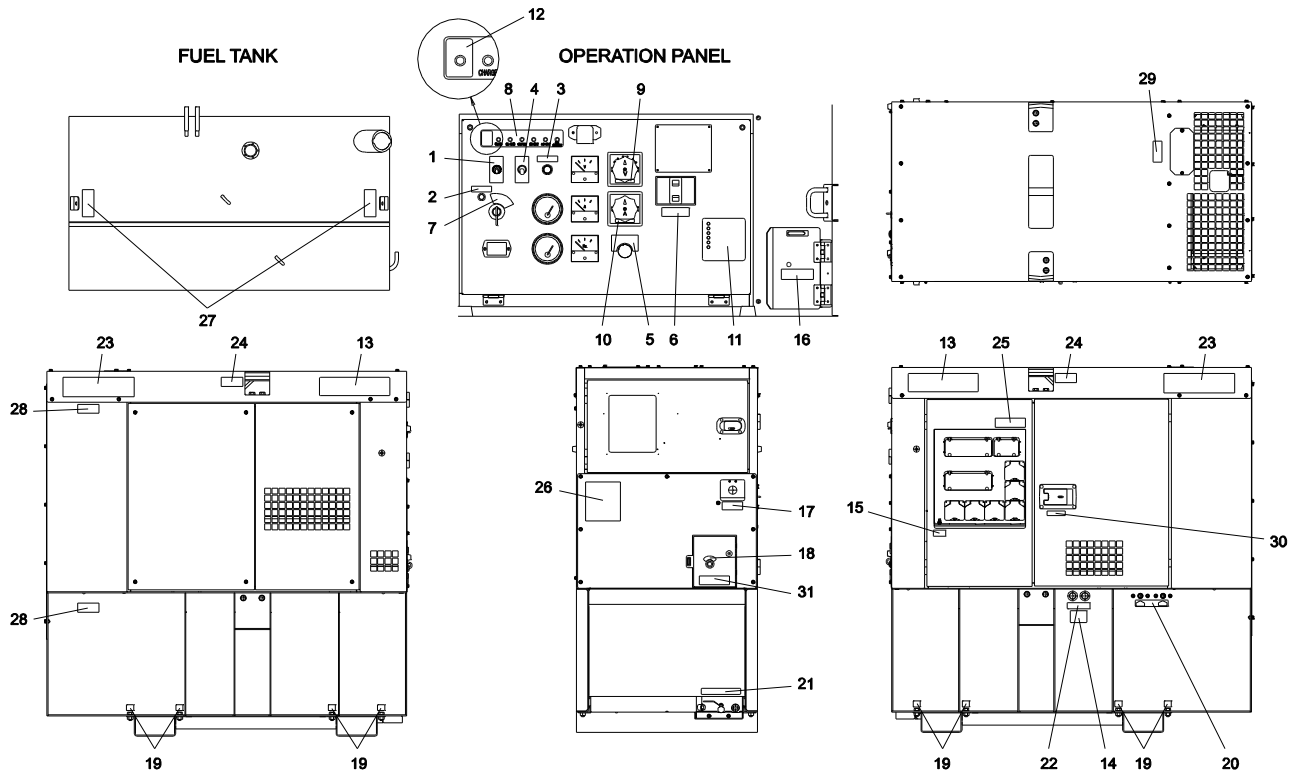
DG37MK-P/ANZ



KEY	LV	PART NUMBER	Q'TY	DESCRIPTION	REMARKS	NOTE1	NOTE2
1		V475-008640	1	TUBE			
2		V420-003150	1	CUSHION			
3		C154-000210	2	SOCKET			
4		C154-000191	1	RECEPTACLE			
5		C154-000201	3	RECEPTACLE			
6		C690-000150	24	FASTENER			
7		M126-000010	2	BREAKER	4CB332/6 3P3E32A		
8		M126-000000	1	BREAKER	4CB320/6 3P3E20A		
9		M126-000040	3	BREAKER			
10		M111-001400	3	BREAKER			
12		M111-001410	3	BREAKER			
13		C519-006420	1	BREAKER			
14		C519-006430	1	STAY			
15		91036-05010	4	BOLT SW			
16		A405-000030	1	COVER,BREAKER	6MODUIES 40985		
17		A405-000050	2	COVER,BREAKER			
18		900245-04010	20	SCREW 4*10	4*10		
19		V150-003140	1	PLATE,EYE			
20		V204-001090	3	BOLT FT SW			

8. LABEL

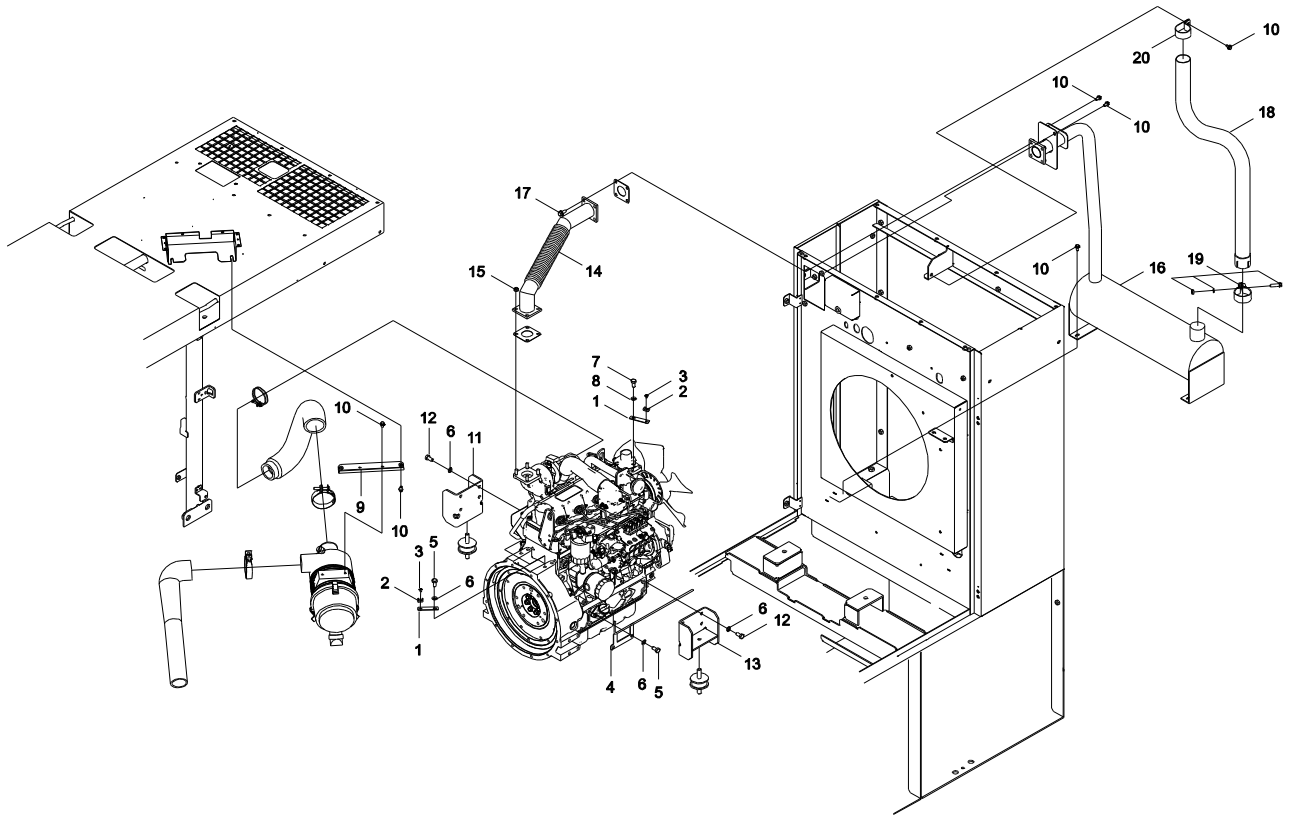
DG37MK-P/ANZ



KEY	LV	PART NUMBER	Q'TY	DESCRIPTION	REMARKS	NOTE1	NOTE2
1		M707-000090	1	LABEL INST			
2		M707-000100	1	LABEL INST			
3		M704-000650	1	LABEL INST			
4		M704-000660	1	LABEL INST			
5		M704-000670	1	LABEL INST			
6		M704-000680	1	LABEL INST			
7		M704-000690	1	LABEL INST			
8		M707-000880	1	LABEL,INST			
9		M707-000330	1	LABEL,INST			
10		M707-000320	1	LABEL,INST			
11		X524-002850	1	LABEL DESIGN			
12		X524-005400	1	LABEL			
13		X504-006320	2	LABEL,BRAND			
14		M704-002440	1	LABEL,INST			
15		M704-001400	1	LABEL INST			
16		M707-000060	1	LABEL INST			
17		M707-000070	1	LABEL INST			
18		M707-000370	1	LABEL,INST			
19		M707-000380	8	LABEL,INST			
20		M707-000390	1	LABEL,INST			
21		M707-000400	1	LABEL,INST			
22		M707-000410	1	LABEL,INST			
23		M705-000990	2	LABEL,FEATURE			
24		X505-007550	2	LABEL,CAUTION			
25		X505-007560	1	LABEL,CAUTION			
26		X505-007571	1	LABEL,CAUTION			
27		X505-007820	2	LABEL,CAUTION			
28		X505-007830	2	LABEL,CAUTION			
29		X505-007840	1	LABEL,CAUTION			
30		X505-007630	1	LABEL,CAUTION			
31		X505-007650	1	LABEL,CAUTION			

9. MUFFLER, AIR CLEANER

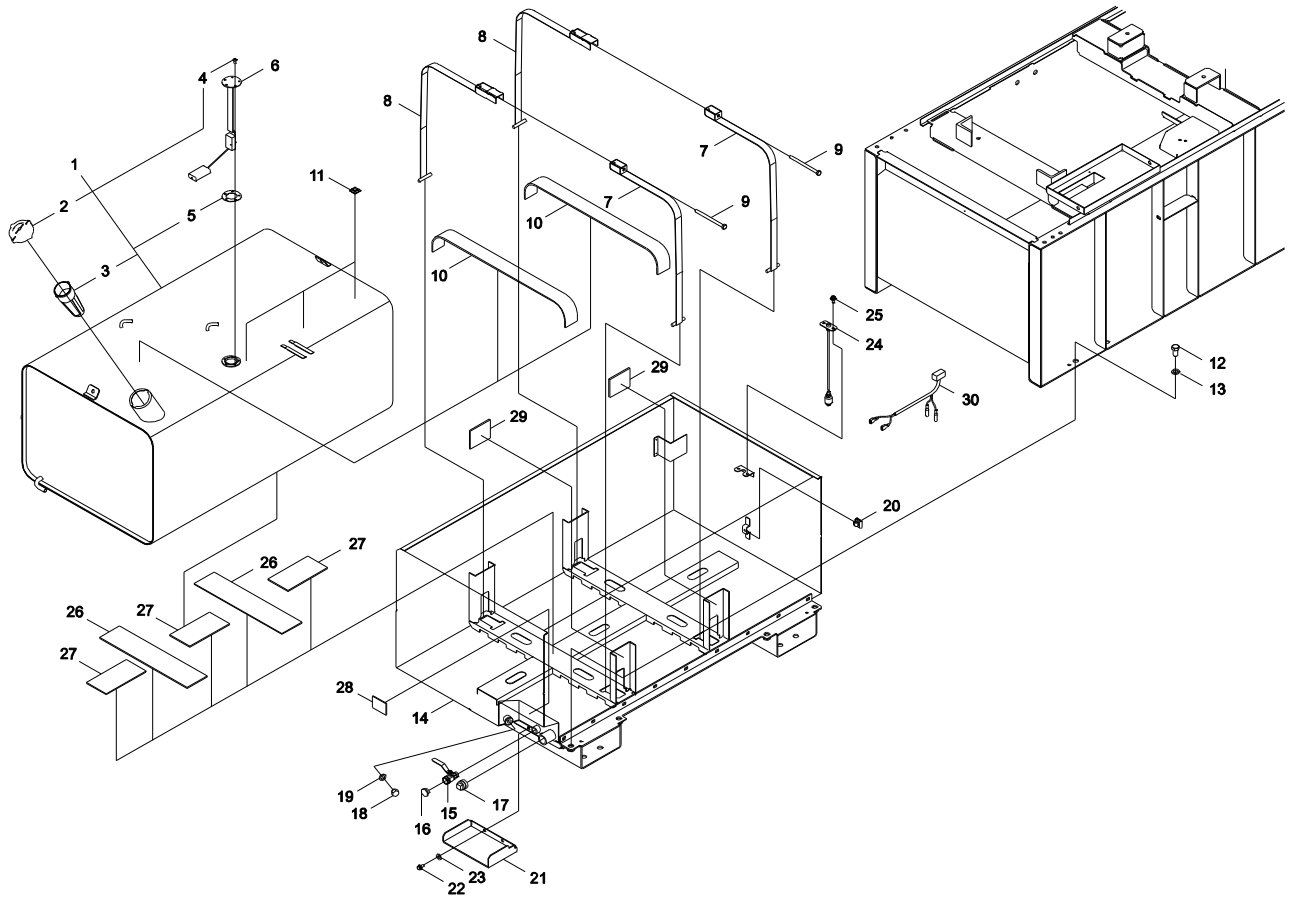
DG37MK-P/ANZ



KEY	LV	PART NUMBER	Q'TY	DESCRIPTION	REMARKS	NOTE1	NOTE2
1		C519-002460	3	STAY			
2		M416-000010	3	TIE MOUNT			
3		91343-05012	3	SCREW			
4		C519-004710	1	STAY			
5		V207-000100	4	BOLT			
6		900605-00012	12	WASHER, SPRING 12	12		
7		91010-10016	1	BOLT			
8		900605-00010	1	WASHER, SPRING 10	10		
9		G211-000280	1	STAY,CLEANER			
10		V205-001170	13	BOLT,8	M8*20-SPW		
11		G121-000400	1	STAY,ENGINE			
12		900101-12025	8	BOLT 12*25	12*25 P1.25		
13		G121-000410	1	STAY,ENGINE			
14		G231-000820	1	PIPE,EXHAUST			
15		V266-000110	4	FLANGE NUT			
16		G230-000400	1	MUFFLER,EXH			
17		91024-10030	4	BOLT	BM-10*30/W,SW		
18		G231-000830	1	PIPE,EXHAUST			
19		V495-002730	1	BAND			
20		V495-002740	1	BAND			

10. FUEL TANK, OIL GUARD

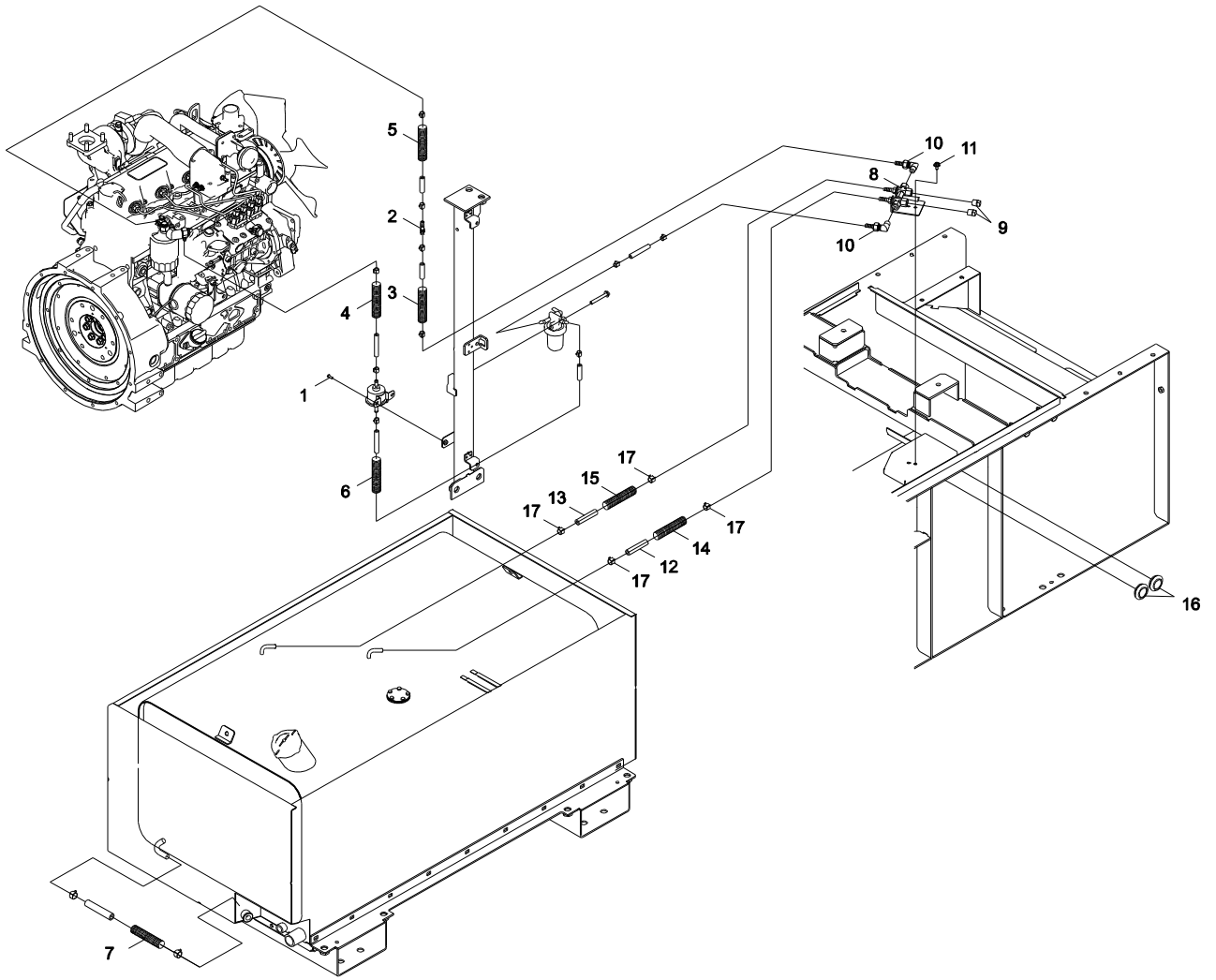
DG37MK-P/ANZ



KEY	LV	PART NUMBER	Q'TY	DESCRIPTION	REMARKS	NOTE1	NOTE2
1		G250-000802	1	TANK,FUEL			
2	+	G255-000010	1	TANK CAP			
3	+	A369-000160	1	STRAINER			
4	+	91564-05010	5	SCREW SPW			
5	+	K221-000030	1	PACKING			
6		E325-000060	1	FUEL GAUGE			
7		A392-000210	2	BAND, FUEL TANK			
8		A392-000220	2	BAND, FUEL TANK			
9		V206-000520	2	BOLT,10	M10X140		
10		V420-003920	2	CUSHION	T5*60*800		
11		M416-000040	3	TIE MOUNT			
12		91098-16025	8	BOLT	B-16*25		
13		92229-16000	8	WASHER	W-16		
14		J447-001250	1	GUARD			
26	+	V420-003930	2	CUSHION	T5*100*440		
27	+	V420-003060	3	PAD			
28	+	M700-000010	1	PAD			
29	+	V420-003050	2	PAD			
15		E265-000190	1	VALVE	BV23-04		
16		E328-000220	1	PLUG,DRAIN			
17		E328-000230	1	PLUG,DRAIN			
18		E328-000140	1	DRAIN PLUG			
19		V106-000110	1	SEAL WASHER			
20		V490-001110	1	CLIP			
21		J447-001260	1	GUARD			
22		91098-08020	2	BOLT	B-8*20		
23		92229-08000	2	WASHER	W-8		
24		G334-001261	1	SWITCH			
25		V204-001090	2	BOLT FT SW			
30		C130-000421	1	HARNESS, WIRE			

11. FUEL TANK AND PIPING

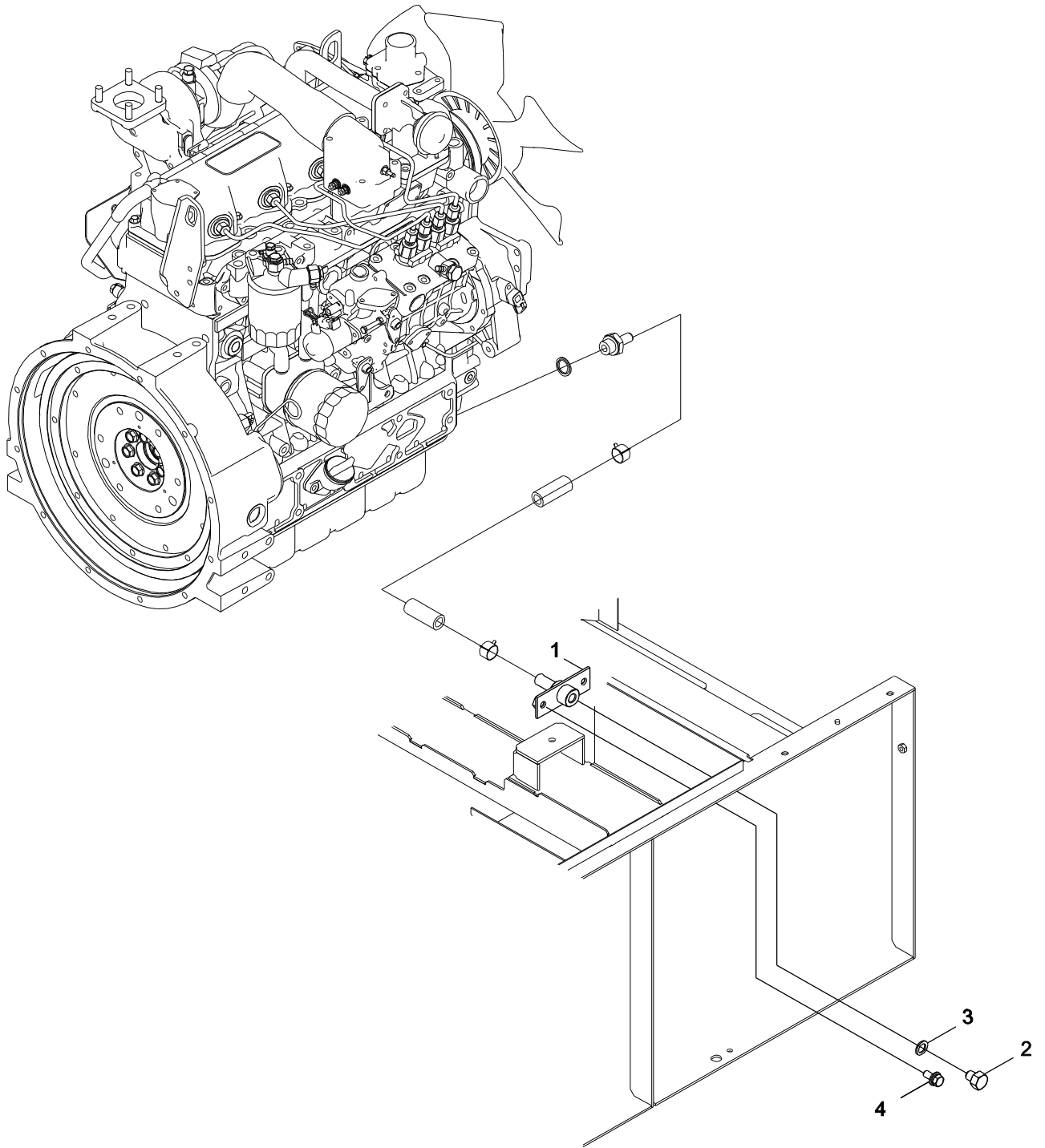
DG37MK-P/ANZ



KEY	LV	PART NUMBER	Q'TY	DESCRIPTION	REMARKS	NOTE1	NOTE2
1		900216-06014	2	SCREW 6*14	6*14		
2		M601-000040	1	JOINT			
3		V475-005360	1	TUBE			
4		V475-005610	1	TUBE			
5		V475-005830	1	TUBE			
6		V475-006280	1	TUBE			
7		V475-005320	1	TUBE			
8		E265-000120	1	COCK			
9		E328-000130	2	DRAIN PLUG			
10		E237-000140	2	ELBOW			
11		V204-001090	2	BOLT FT SW			
12		K401-000550	1	HOSE			
13		K401-000480	1	HOSE			
14		V475-006020	1	TUBE			
15		V475-007820	1	TUBE	19*L590		
16		V145-000720	2	GROMMET,CIRCULAR			
17		V495-001660	4	HOSE CLAMP			

12. OIL PIPE

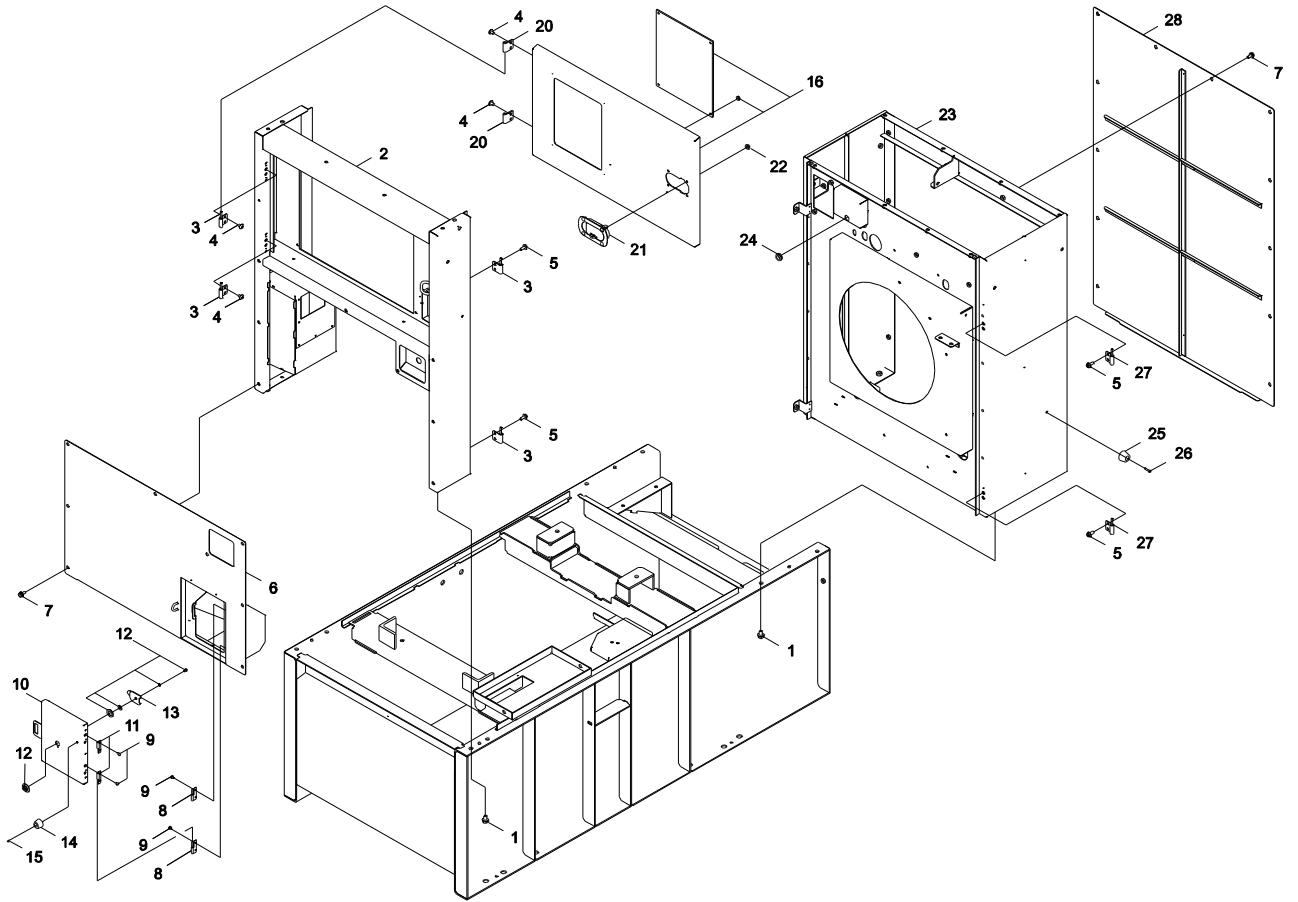
DG37MK-P/ANZ



KEY	LV	PART NUMBER	Q'TY	DESCRIPTION	REMARKS	NOTE1	NOTE2
1		C153-000570	1	SOCKET			
2		E328-000320	1	PLUG,DRAIN			
3		K206-000030	1	PACKING,DRAIN CAP			
4		V205-001120	2	BOLT,8	BM-8*20 W SW		

13. BONNET

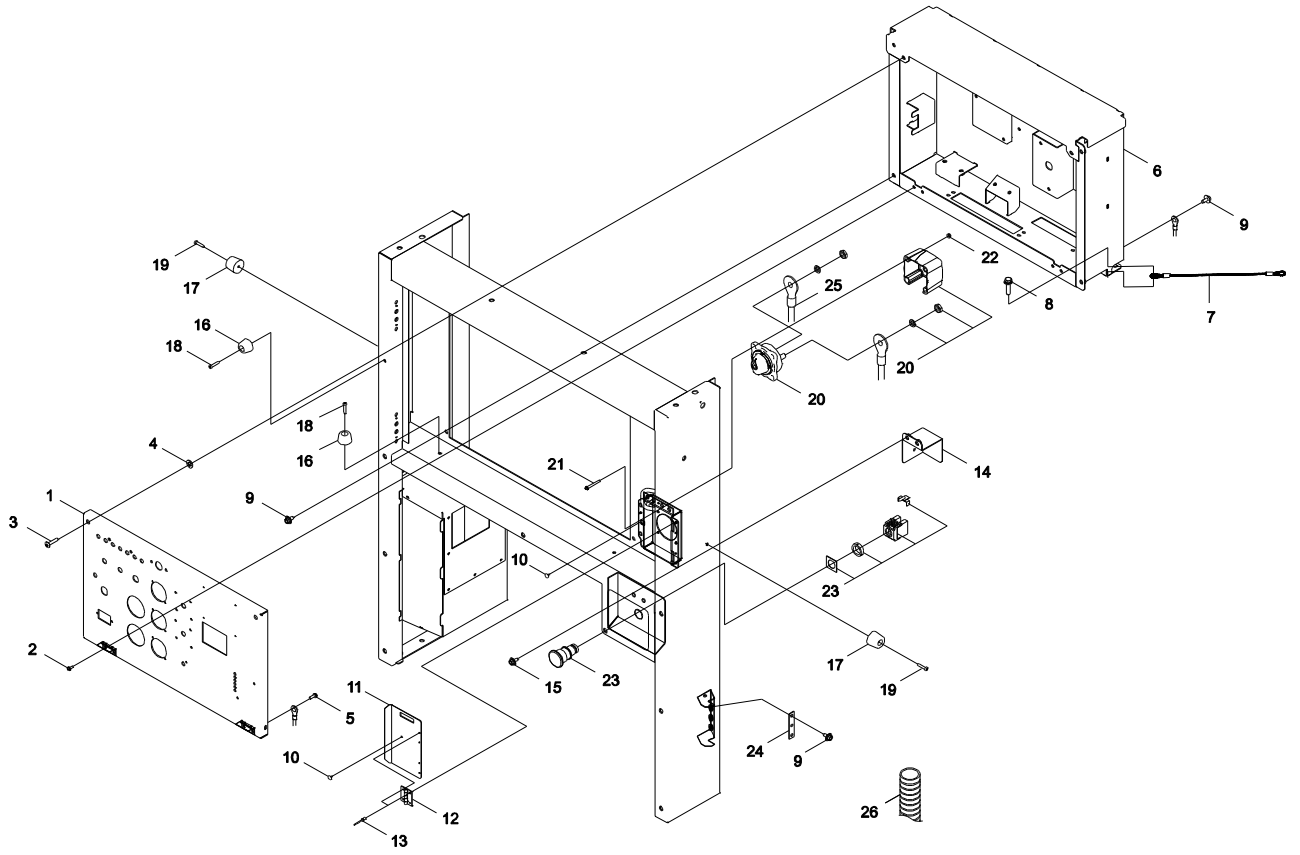
DG37MK-P/ANZ



KEY	LV	PART NUMBER	Q'TY	DESCRIPTION	REMARKS	NOTE1	NOTE2
1		91034-10020	8	BOLT SPW			
2		J494-000960	1	BONNET			
3		J485-000250	4	HINGE			
4		91318-08020	8	SCREW TRUSS			
5		91083-08020	8	FLANGE BOLT			
6		J500-001000	1	PANEL			
7		V205-001120	20	BOLT,8	BM-8*20 W SW		
8		J485-000310	2	HINGE			
9		91447-04012	8	SCREW TAPPING			
10		M470-001450	1	COVER			
11		J485-000330	2	HINGE			
12		C701-000430	1	HANDLE			
13		G257-000230	1	LOCK LEVER			
14		V420-003070	1	STAND RUBBER			
15		91381-04020	1	SCREW TAPPING			
16		M040-000470	1	FRONT DOOR,ASM			
20		J485-000280	2	HINGE			
21		C701-000420	1	LOCK COVER			
22		V264-000220	4	FLANGE NUT			
23		J494-000392	1	BONNET			
24		V144-000440	1	GROMMET			
25		V420-003510	1	STAND RUBBER			
26		91381-04030	1	SCREW TAPPING			
27		J485-000260	2	HINGE			
28		M415-000551	1	PLATE,REAR			

14. FRONT COVER

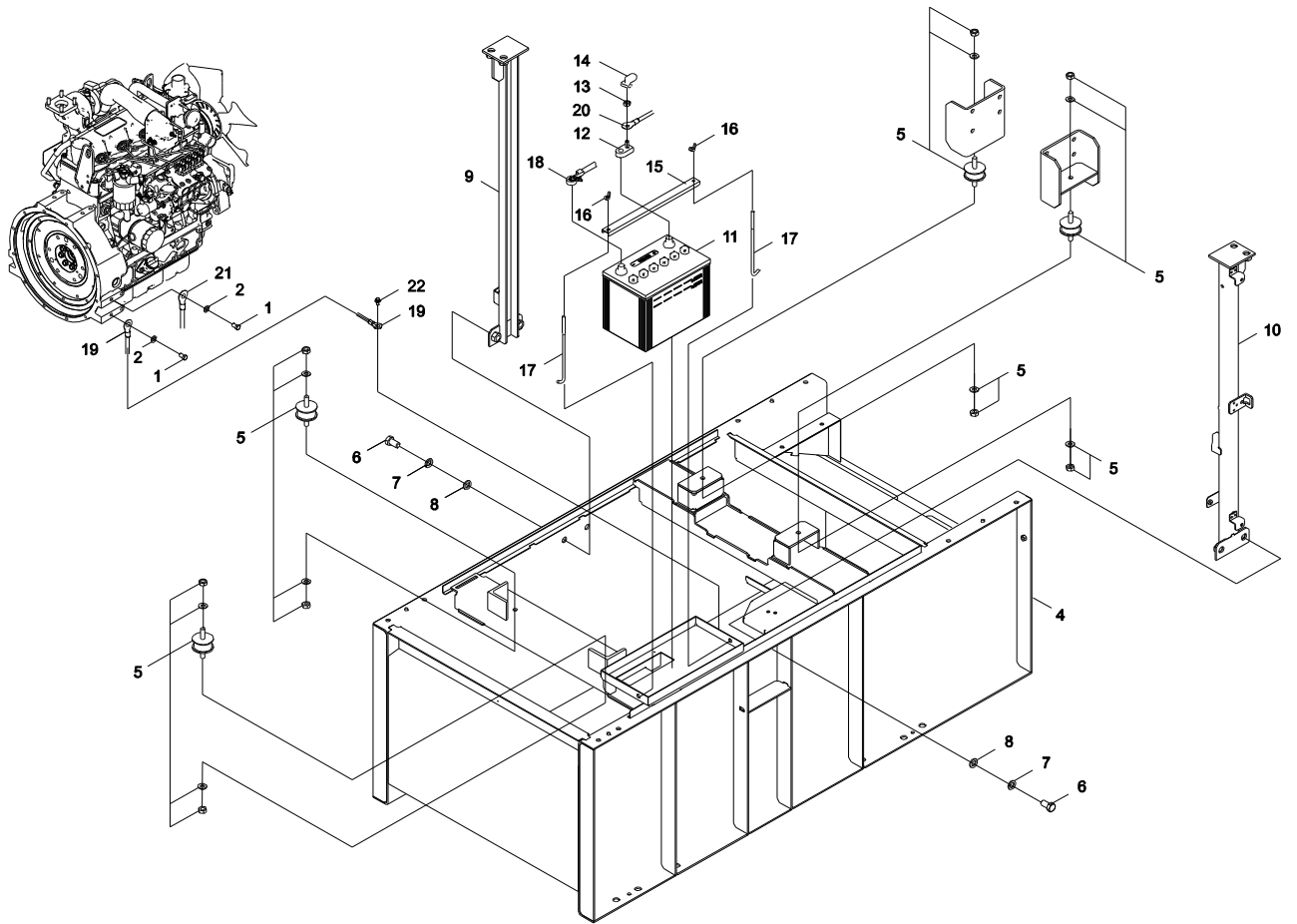
DG37MK-P/ANZ



KEY	LV	PART NUMBER	Q'TY	DESCRIPTION	REMARKS	NOTE1	NOTE2
1		C160-001600	1	PANEL,OPERATION			
2		91566-04012	4	SCREW SPW			
3		91318-06030	2	SCREW TRUSS			
4		V324-000010	2	WASHER			
5		91568-05012	1	SCREW SLPW			
6		J430-001290	1	BOX CONTROL			
7		C617-000550	1	STOPPER			
8		91024-08035	1	BOLT	BM-8*35/W,SW		
9		V204-001090	8	BOLT FT SW			
10		V420-003200	2	CUSHION			
11		A447-000110	1	COVER,SWITCH KNOB			
12		J485-000570	2	HINGE			
13		V649-000130	8	BLIND RIVET			
14		M470-002970	1	COVER			
15		V204-001600	2	BOLT,6	M6*16		
16		V420-003070	3	STAND RUBBER			
17		V420-003510	2	STAND RUBBER			
18		91381-04020	3	SCREW TAPPING			
19		91381-04030	2	SCREW TAPPING			
20		G334-001320	1	SWITCH			
21		91564-04016	4	SCREW SPW			
22		V262-000190	4	FLANGE NUT			
23		G334-000770	1	BUTTON SWITCH			
24		V150-003140	1	PLATE,EYE			
25		M386-000430	1	LEAD			
26		V475-006280	1	TUBE			

15. BASE, FRAME

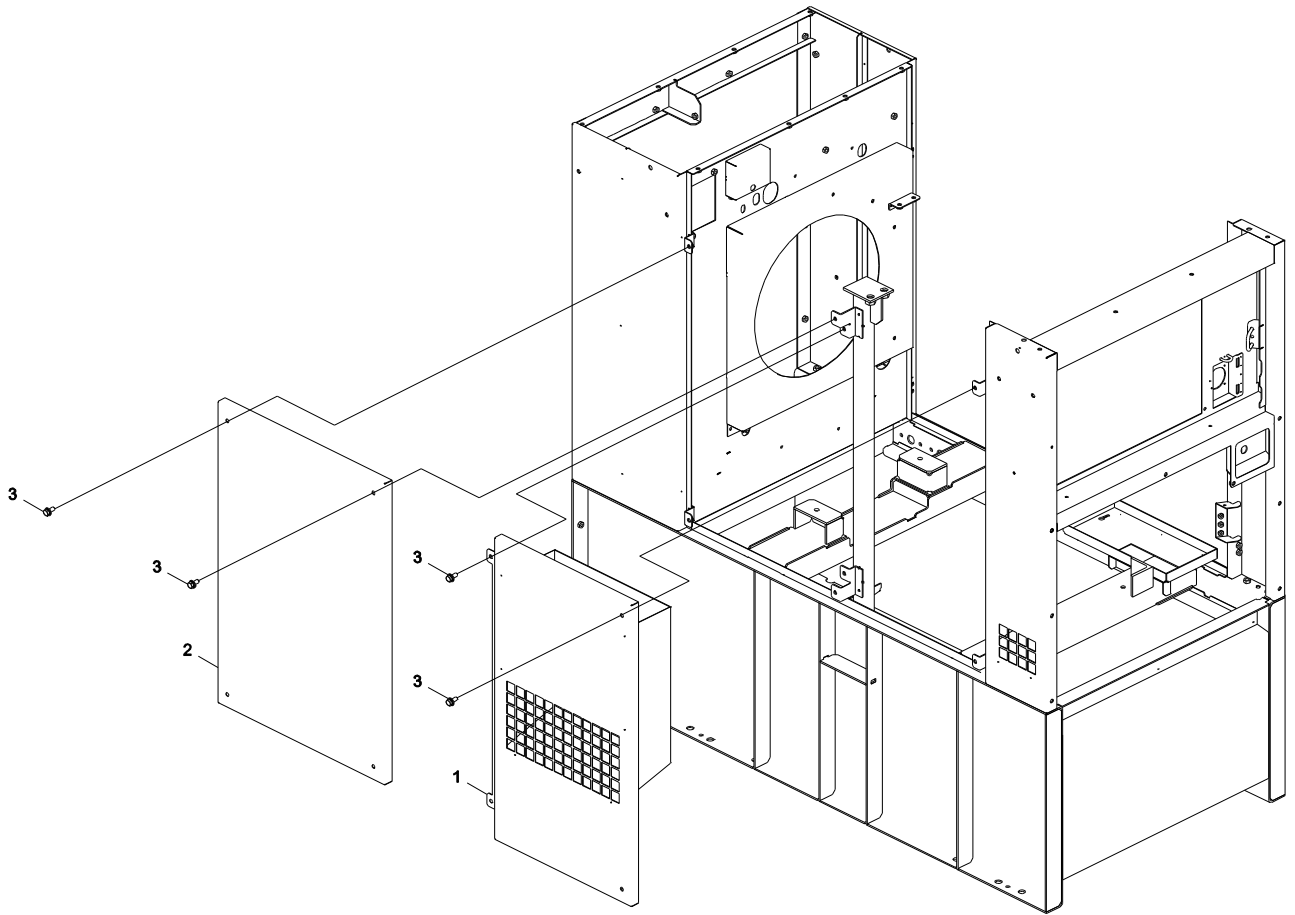
DG37MK-P/ANZ



KEY	LV	PART NUMBER	Q'TY	DESCRIPTION	REMARKS	NOTE1	NOTE2
1		V207-000100	2	BOLT			
2		900617-00012	2	WASHER 12	12(13*21*2.5)		
4		J405-003180	1	FRAME			
5		V420-003040	4	AV RUBBER			
6		900104-16030	4	BOLT 16*30 SUS	16*30 SUS		
7		92235-16000	4	SPRING WASHER			
8		92222-16000	4	WASHER			
9		J415-000481	1	STAY,BONNET			
10		J415-000631	1	STAY,BONNET			
11		V481-000460	1	BATTERY			
12		V486-000240	1	TERMINAL			
13		V265-000310	1	NUT			
14		G305-000030	1	TERMINAL CAP			
15		G303-000350	1	HOLDER,BATTERY			
16		92190-08000	2	WING NUT			
17		V240-000240	2	BOLT,HOOK			
18		M386-000440	1	LEAD			
19		M384-000020	1	LEAD			
20		M380-000060	1	LEAD WIRE			
21		M386-000580	1	LEAD			
22		V205-001170	1	BOLT,8	M8*20-SPW		

16. LEFT COVER

DG37MK-P/ANZ



KEY	LV	PART NUMBER	Q'TY	DESCRIPTION	REMARKS	NOTE1	NOTE2
1		J500-000020	1	PANEL			
2		J500-000041	1	PANEL			
3		V205-001120	8	BOLT,8	BM-8*20 W SW		

Index

Patrs Number	Key No.	Patrs Number	Key No.	Patrs Number	Key No.
900101-12025	9 - 12	92229-08000	10 - 23	G231-000830	9 - 18
900104-16030	3 - 3	92229-16000	10 - 13	G250-000802	10 - 1
900104-16030	15 - 6	92235-16000	15 - 7	G255-000010	10 - 2
900216-06014	11 - 1	A041-000340	4 - 14	G257-000230	13 - 13
900245-04010	7 - 18	A041-000600	4 - 12	G303-000350	15 - 15
900602-00008	2 - 8	A045-000510	5 - 6	G305-000030	15 - 14
900605-00010	4 - 11	A172-002160	4 - 3	G318-000010	5 - 18
900605-00010	9 - 8	A172-002860	1 - 5	G319-000060	5 - 19
900605-00012	9 - 6	A172-002870	1 - 12	G327-000400	5 - 7
900617-00012	15 - 2	A172-002880	1 - 13	G327-000540	5 - 12
91010-10016	9 - 7	A369-000160	10 - 3	G328-000060	5 - 13
91022-10035	4 - 2	A392-000210	10 - 7	G334-000770	14 - 23
91024-08035	2 - 11	A392-000220	10 - 8	G334-001261	10 - 24
91024-08035	14 - 8	A405-000030	7 - 16	G334-001300	5 - 3
91024-08040	4 - 15	A405-000050	7 - 17	G334-001310	5 - 5
91024-10030	9 - 17	A447-000110	14 - 11	G334-001320	14 - 20
91024-10040	1 - 6	C124-000230	5 - 10	G343-000490	6 - 6
91026-10030	4 - 16	C130-000421	10 - 30	G350-000410	6 - 12
91026-10060	4 - 10	C153-000570	12 - 1	G350-000420	6 - 13
91031-04030	4 - 4	C154-000191	7 - 4	G350-000520	6 - 11
91031-05012	4 - 7	C154-000201	7 - 5	G360-002130	6 - 10
91034-08040	2 - 7	C154-000210	7 - 3	G362-000591	1 - 7
91034-10020	13 - 1	C160-001590	2 - 5	G365-000040	1 - 2
91036-05010	7 - 15	C160-001600	14 - 1	G370-000470	6 - 7
91036-05025	6 - 9	C519-002460	9 - 1	G370-001760	6 - 8
91083-08020	2 - 3	C519-004710	9 - 4	J405-003180	15 - 4
91083-08020	13 - 5	C519-006420	7 - 13	J415-000481	15 - 9
91098-08020	10 - 22	C519-006430	7 - 14	J415-000631	15 - 10
91098-16025	10 - 12	C617-000550	14 - 7	J430-001290	14 - 6
91318-06030	14 - 3	C690-000150	7 - 6	J447-001250	10 - 14
91318-08020	13 - 4	C701-000420	13 - 21	J447-001260	10 - 21
91343-05012	9 - 3	C701-000430	13 - 12	J480-000930	3 - 5
91381-04020	13 - 15	C701-000440	2 - 13	J485-000250	13 - 3
91381-04020	14 - 18	E145-000060	5 - 2	J485-000260	13 - 27
91381-04030	13 - 26	E237-000140	11 - 10	J485-000280	2 - 2
91381-04030	14 - 19	E265-000120	11 - 8	J485-000280	13 - 20
91447-04012	13 - 9	E265-000190	10 - 15	J485-000310	13 - 8
91461-04014	5 - 11	E325-000060	10 - 6	J485-000330	13 - 11
91564-04016	6 - 17	E328-000130	11 - 9	J485-000570	14 - 12
91564-04016	14 - 21	E328-000140	10 - 18	J494-000392	13 - 23
91564-05010	10 - 4	E328-000220	10 - 16	J494-000412	3 - 1
91564-05050	6 - 3	E328-000230	10 - 17	J494-000960	13 - 2
91564-06016	6 - 4	E328-000320	12 - 2	J500-000020	16 - 1
91566-04012	14 - 2	G121-000400	9 - 11	J500-000041	16 - 2
91568-05012	6 - 2	G121-000410	9 - 13	J500-001000	13 - 6
91568-05012	14 - 5	G201-000490	1 - 16	K206-000030	12 - 3
91575-04016	5 - 8	G211-000280	9 - 9	K221-000030	10 - 5
92190-08000	15 - 16	G230-000400	9 - 16	K400-001900	1 - 3
92222-16000	15 - 8	G231-000820	9 - 14	K401-000480	11 - 13

Index

Patrs Number	Key No.	Patrs Number	Key No.	Patrs Number	Key No.
K401-000550	11 - 12	M707-000320	8 - 10	V420-003050	10 - 29
M040-000470	13 - 16	M707-000330	8 - 9	V420-003060	10 - 27
M102-000550	4 - 8	M707-000370	8 - 18	V420-003070	13 - 14
M108-000010	6 - 5	M707-000380	8 - 19	V420-003070	14 - 16
M109-000140	5 - 15	M707-000390	8 - 20	V420-003150	7 - 2
M109-000210	5 - 17	M707-000400	8 - 21	V420-003200	14 - 10
M109-000240	5 - 16	M707-000410	8 - 22	V420-003510	13 - 25
M109-000410	5 - 14	M707-000880	8 - 8	V420-003510	14 - 17
M111-000470	6 - 18	V106-000110	10 - 19	V420-003920	10 - 10
M111-001400	7 - 10	V109-000210	3 - 4	V420-003930	10 - 26
M111-001410	7 - 12	V144-000440	13 - 24	V475-005320	11 - 7
M112-000010	5 - 1	V144-000530	5 - 4	V475-005360	11 - 3
M126-000000	7 - 8	V144-000610	4 - 13	V475-005610	11 - 4
M126-000010	7 - 7	V145-000720	11 - 16	V475-005830	11 - 5
M126-000040	7 - 9	V150-003140	7 - 19	V475-006020	11 - 14
M305-000510	4 - 1	V150-003140	14 - 24	V475-006030	1 - 8
M308-000250	6 - 16	V204-001090	1 - 14	V475-006280	14 - 26
M308-000520	6 - 14	V204-001090	2 - 4	V475-006280	11 - 6
M380-000060	15 - 20	V204-001090	7 - 20	V475-007820	11 - 15
M384-000020	15 - 19	V204-001090	10 - 25	V475-008640	7 - 1
M386-000430	14 - 25	V204-001090	11 - 11	V481-000460	15 - 11
M386-000440	15 - 18	V204-001090	14 - 9	V486-000240	15 - 12
M386-000580	15 - 21	V204-001600	14 - 15	V490-001110	10 - 20
M407-000041	2 - 12	V205-001120	1 - 11	V495-001660	11 - 17
M409-001120	2 - 1	V205-001120	3 - 2	V495-002510	1 - 10
M415-000551	13 - 28	V205-001120	12 - 4	V495-002730	9 - 19
M416-000010	9 - 2	V205-001120	13 - 7	V495-002740	9 - 20
M416-000040	10 - 11	V205-001120	16 - 3	V541-000350	2 - 14
M470-000980	4 - 6	V205-001170	1 - 15	V592-000160	4 - 9
M470-001450	13 - 10	V205-001170	9 - 10	V649-000130	14 - 13
M470-002970	14 - 14	V205-001170	15 - 22	X504-006320	8 - 13
M470-002980	2 - 10	V206-000520	10 - 9	X505-007550	8 - 24
M601-000040	11 - 2	V207-000100	9 - 5	X505-007560	8 - 25
M601-000170	1 - 9	V207-000100	15 - 1	X505-007571	8 - 26
M700-000010	10 - 28	V240-000240	15 - 17	X505-007630	8 - 30
M703-000020	4 - 5	V252-000540	6 - 15	X505-007650	8 - 31
M703-000020	4 - 5	V262-000190	5 - 9	X505-007820	8 - 27
M704-000650	8 - 3	V262-000190	14 - 22	X505-007830	8 - 28
M704-000660	8 - 4	V264-000220	1 - 4	X505-007840	8 - 29
M704-000670	8 - 5	V264-000220	2 - 6	X524-002850	8 - 11
M704-000680	8 - 6	V264-000220	6 - 1	X524-005400	8 - 12
M704-000690	8 - 7	V264-000220	13 - 22		
M704-001400	8 - 15	V265-000290	1 - 1		
M704-002440	8 - 14	V265-000290	2 - 15		
M705-000990	8 - 23	V265-000310	15 - 13		
M707-000060	8 - 16	V265-000450	2 - 9		
M707-000070	8 - 17	V266-000110	9 - 15		
M707-000090	8 - 1	V324-000010	14 - 4		
M707-000100	8 - 2	V420-003040	15 - 5		

YAMABIKO CORPORATION

7-2 SUEHIROCHO 1-CHOME, OHME, TOKYO 198-8760, JAPAN
PHONE: 81-428-32-6118. FAX: 81-428-32-6145.

shindaiwa[®]

15Eb
No.07-178