

shindaiwa[®]

PARTS CATALOGUE

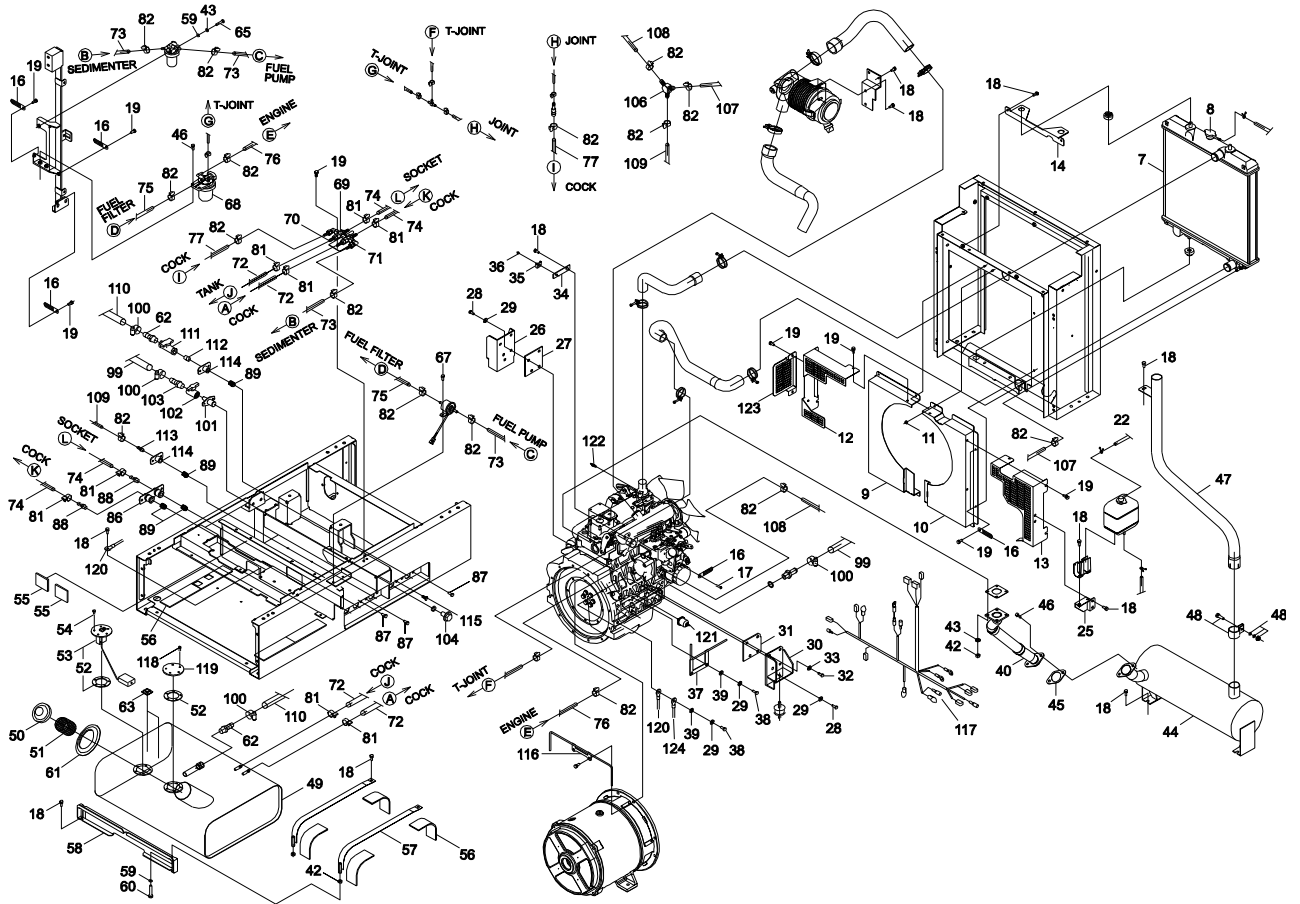
DGA12D

1000137 -

P016-002130-14Eb

1. ENGINE, RADIATOR

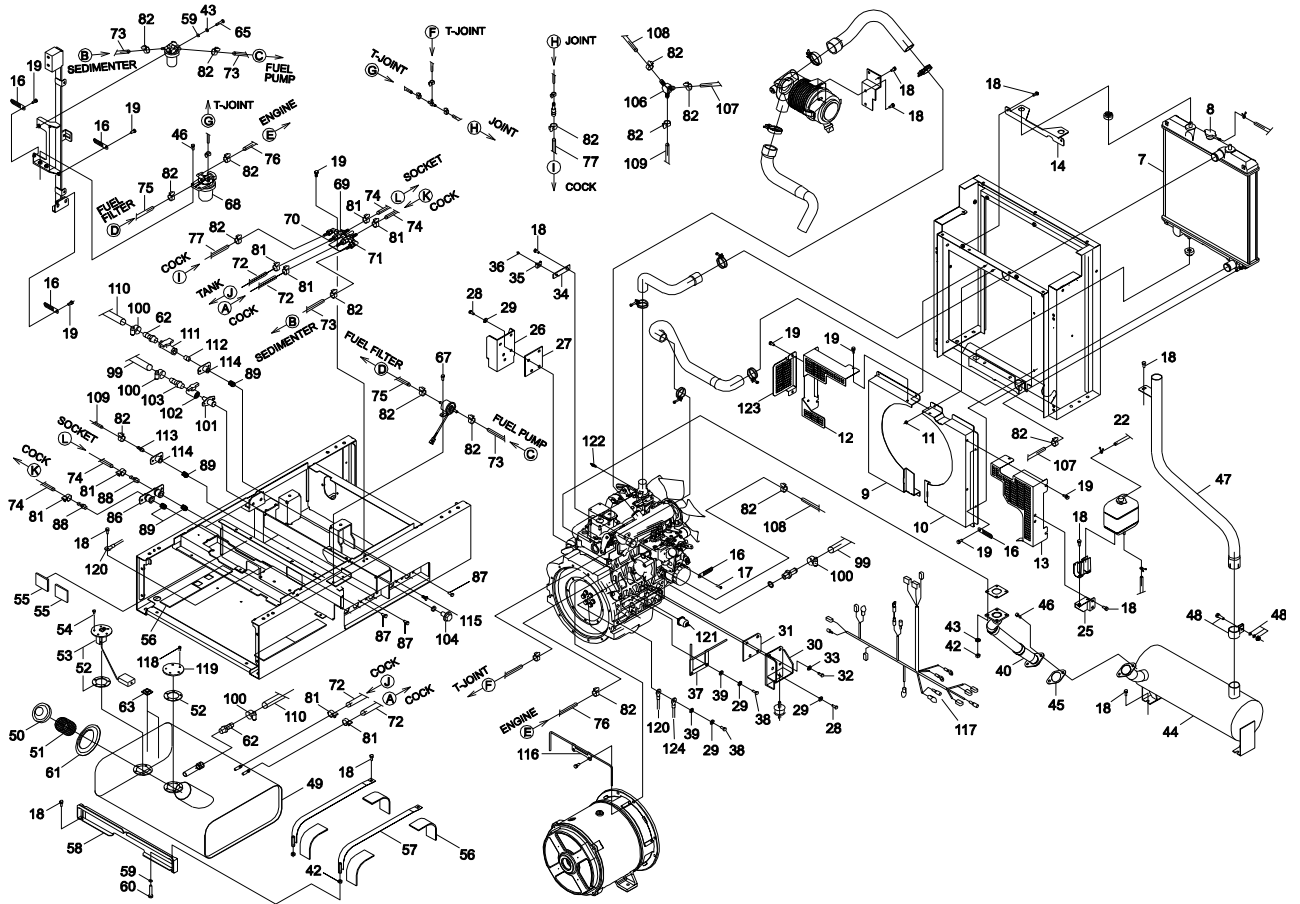
DGA12D



KEY	LV	PART NUMBER	Q'TY	DESCRIPTION	REMARKS	NOTE1	NOTE2
7		G200-000100	1	RADIATOR ASSY			
8	+	M608-000040	1	RADIATOR CAP			
9		G202-000210	1	DUCT,RADIATOR			
10		G202-000220	1	DUCT,RADIATOR			
11		V264-000220	6	FLANGE NUT			
12		A172-002400	1	COVER,FAN			
13		A172-002410	1	COVER,FAN			
14		G201-000390	1	RADIATOR STAY			
16		V490-000810	6	CORD CLAMP			
17		91564-06010	1	SCREW-SW			
18		V205-001170	21	BOLT,8	M8*20-SPW		
19		V204-001090	15	BOLT FT SW			
25		G126-000410	1	BRACKET,TANK			
26		G121-000500	1	STAY,ENGINE			
27		V376-002010	1	SPACER			
28		91010-12030	7	BOLT			
29		900605-00012	10	WASHER, SPRING 12	12		
30		G121-000510	1	STAY,ENGINE			
31		V376-002020	1	SPACER			
32		900101-10025	1	BOLT 10*1.25*25	10*1.25*25		
33		900605-00010	1	WASHER, SPRING 10	10		
34		C519-002450	1	STAY			
35		M416-000010	1	TIE MOUNT			
36		91343-05012	1	SCREW			
37		C519-003680	1	STAY			
38		V207-000100	3	BOLT			
39		900602-00012	3	WASHER 12	13*24*2.5		
40		G231-000430	1	FLEXIBLE TUBE			
42		900500-00008	6	NUT 8	8*P1.25		
43		900605-00008	5	WASHER, SPRING 8	8		
44		G230-000150	1	MUFFLER			
45		V104-001700	1	GASKET			
46		900147-08030	4	BOLT, 8*30	8*30		
47		G231-000420	1	TAIL PIPE			
48		V495-002000	1	CLAMP			
49		G250-000220	1	FUEL TANK ASSY			
50	+	G255-000010	1	TANK CAP			
51	+	A369-000160	1	STRAINER			
52	+	K221-000030	2	PACKING			
118	+	V203-001730	5	BOLT SW			
119	+	K210-000080	1	PLATE			
53		E325-000070	1	FUEL GAUGE			
54		91031-05012	5	BOLT SW			
55		V420-003020	2	PAD			
56		V420-003030	8	PAD			
57		A392-000270	2	BAND,FUEL TANK			
58		A393-000240	1	BAN STAY			
59		900602-00008	3	WASHER 8	8.4*17*1.6		
60		900120-08050	2	BOLT 8*50	8*50		
61		V145-000320	1	TANK BUSH			
62		V187-000090	2	NIPPLE			
63		M416-000040	2	TIE MOUNT			
65		900100-08070	1	BOLT 8*70	8*70		
67		900216-06014	2	SCREW 6*14	6*14		
69		E265-000120	1	COCK			
70		V187-000100	2	NIPPLE			
71		E237-000140	2	ELBOW			
72		K401-000530	2	HOSE			
73		K400-001850	2	HOSE			

1. ENGINE, RADIATOR

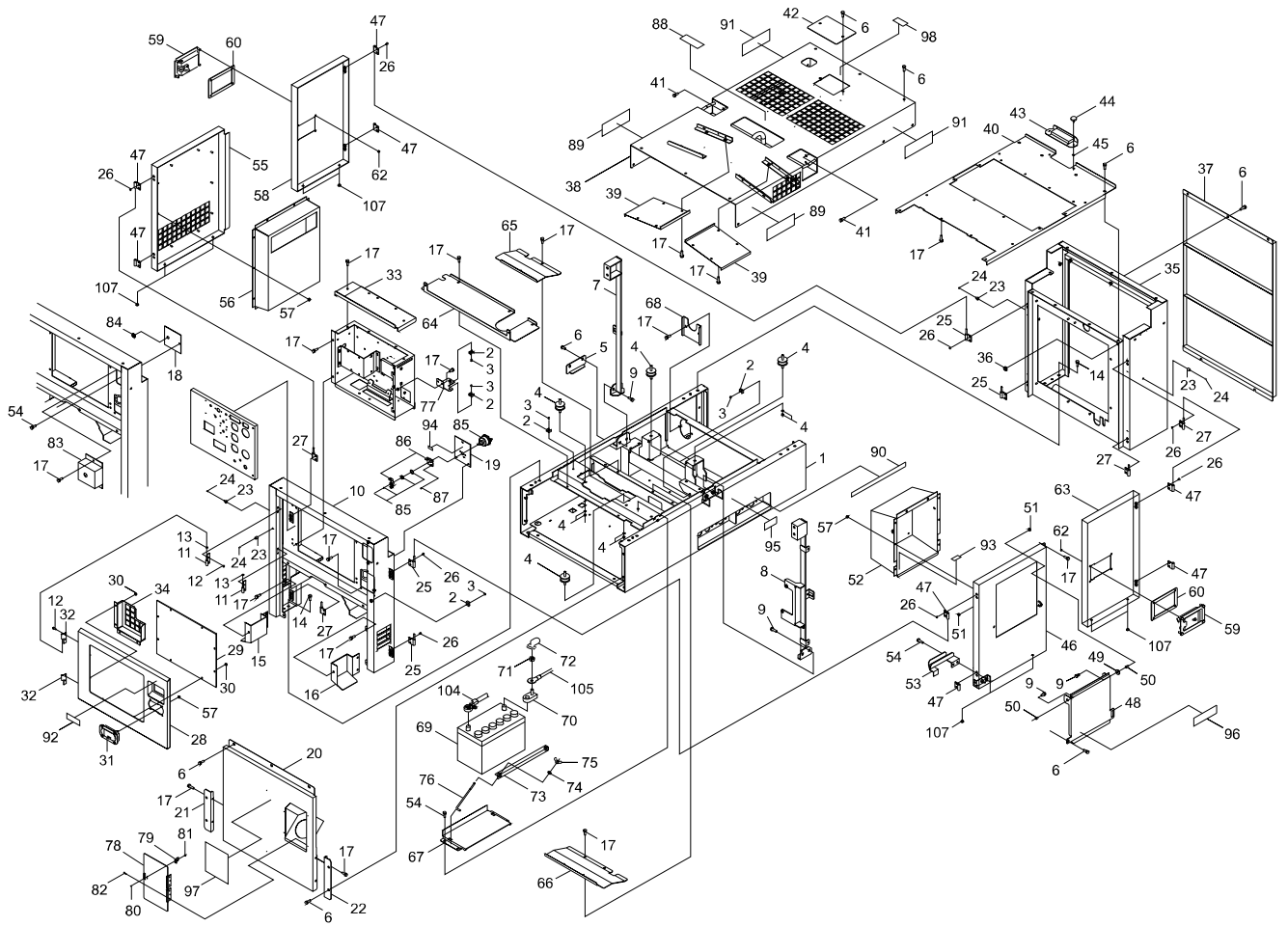
DGA12D



KEY	LV	PART NUMBER	Q'TY	DESCRIPTION	REMARKS	NOTE1	NOTE2
74		V471-002920	2	HOSE			
75		K400-001840	1	HOSE			
76		K400-001820	1	HOSE			
77		K400-001860	1	HOSE			
81		V495-001660	8	HOSE CLAMP			
82		V495-001670	16	HOSE CLAMP			
86		C153-000170	1	SOCKET			
87		V205-001120	6	BOLT,8	BM-8*20 W SW		
88		V187-000110	2	NIPPLE			
89		E328-000110	4	DRAIN PLUG			
99		K403-000060	1	HOSE			
100		V495-001720	4	HOSE CLAMP			
101		C153-000180	1	SOCKET			
102		E265-000130	1	COCK			
103		V187-000150	1	NIPPLE			
104		E328-000160	1	DRAIN PLUG			
106		M601-000170	1	JOINT			
107		K400-001890	1	HOSE			
108		K400-001950	1	HOSE			
109		K400-001820	1	HOSE			
110		V471-002910	1	HOSE			
111		E265-000140	1	DRAIN COCK			
112		V187-000120	1	NIPPLE			
113		V187-000160	1	NIPPLE			
114		C153-000190	2	SOCKET			
115		V206-000580	2	BOLT,10	M10*25-SPW		
116		C519-005450	1	STAY			
117		G360-000500	1	WIRING HARNESS			
120		M383-000020	1	LEAD WIRE			
122		G365-000040	1	GAUGE			
123		A172-002420	1	COVER,FAN			
124		M383-000010	1	LEAD WIRE			

2. FRAME, COVER

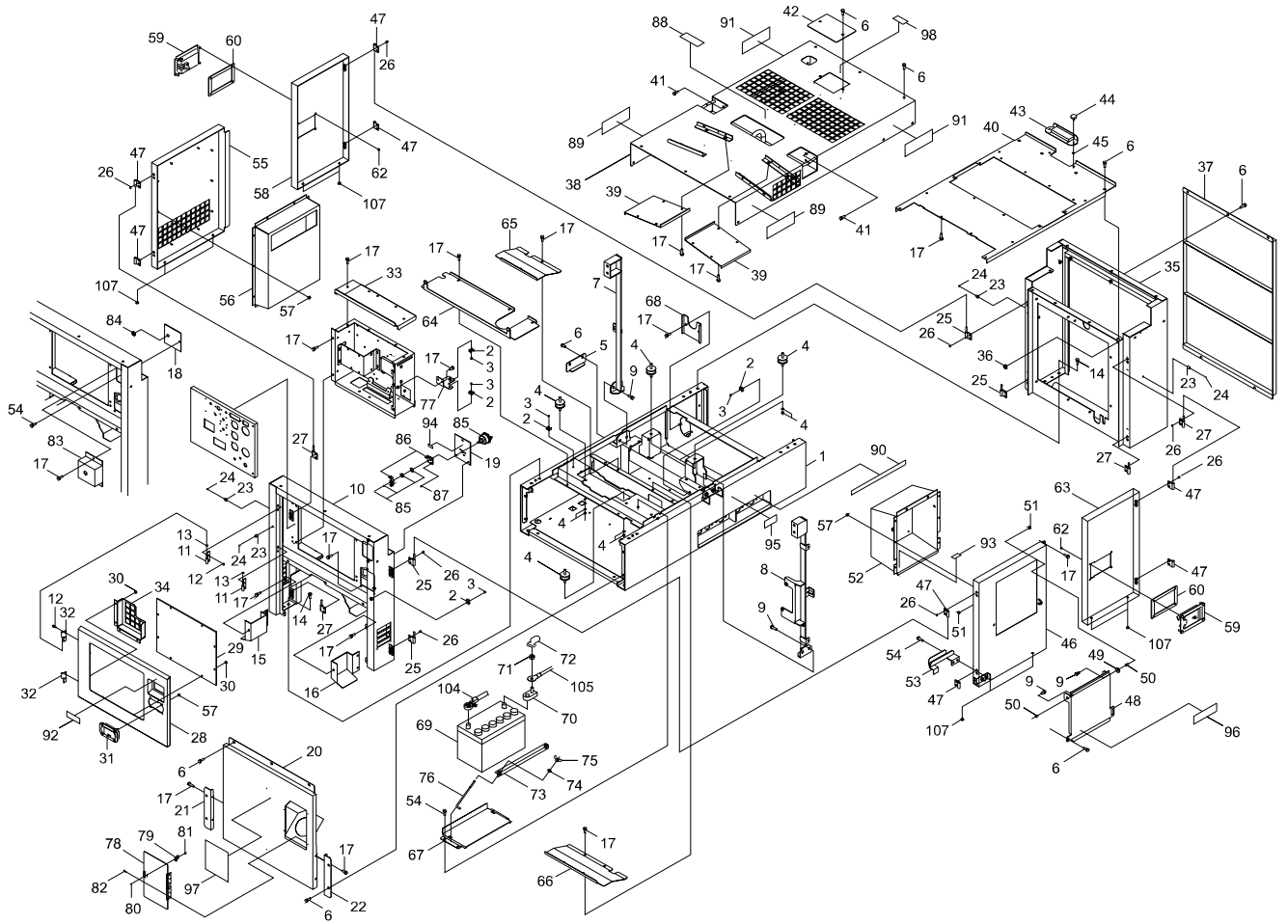
DGA12D



KEY	LV	PART NUMBER	Q'TY	DESCRIPTION	REMARKS	NOTE1	NOTE2
1		J405-001110	1	BED			
2		M416-000010	5	TIE MOUNT			
3		91343-05012	5	SCREW			
4		V404-000140	4	AV RUBBER			
5		J470-006030	1	COVER			
6		V205-001120	34	BOLT,8	BM-8*20 W SW		
7		J415-000600	1	STAY,BONNET			
8		J415-000610	1	STAY,BONNET			
9		91024-10030	6	BOLT	BM-10*30/W,SW		
10		J410-000690	1	FRONT COVER COMP			
11	+	J485-000240	2	HINGE			
12	+	900209-05010	4	SCREW, 5*10	5*10		
12		900209-05010	4	SCREW, 5*10	5*10		
13		V375-000400	2	COLLAR			
14		900147-10020	8	BOLT	10*20 SW,W		
15		G122-001510	1	DUCT,AIR			
16		G122-001520	1	DUCT,AIR			
17		V204-001090	72	BOLT FT SW			
18		M470-001840	1	COVER			
19		M470-001830	1	COVER			
20		J425-000990	1	FRONT PLATE			
21		J471-000380	1	BRACKET,COVER			
22		J471-000390	1	BRACKET,COVER			
23		V420-003070	4	STAND RUBBER			
24		91381-04020	4	SCREW TAPPING			
25		J485-000250	4	HINGE			
26		91083-08020	32	FLANGE BOLT			
27		J485-000260	4	HINGE			
28		M402-000040	1	FRONT DOOR			
29		J425-000740	1	PANEL			
30		V263-000330	12	FLANGE NUT			
31		C701-000420	1	LOCK COVER			
32		J485-000270	2	HINGE			
33		M417-000220	1	COVER,BOX			
34		J465-000480	1	STAND			
35		J410-001880	1	BONNET			
36		V144-000440	1	GROMMET			
37		M415-000360	1	REAR PLATE			
38		J410-000730	1	TOP COVER			
39		M418-000070	2	BAFFLE PLATE			
40		J480-000230	1	TOP PLATE			
41		91034-10030	4	BOLT SPW			
42		J480-000210	1	CHECK PLATE			
43		J480-000240	1	CHECK COVER			
44		V299-000480	2	KNOB COMP			
45		V583-000230	2	U RING			
46		M409-000030	1	SIDE DOOR			
47		J485-000280	8	HINGE			
48		M470-001850	1	COVER			
49		V420-003080	1	BUSH RUBBER			
50		V375-000410	2	COLLAR			
51		900500-00010	2	NUT 10	10*P1.5		
52		J430-001020	1	BOX,CONTROL			
53		G257-000810	1	STOPPER			
54		V205-001170	3	BOLT,8	M8*20-SPW		
55		M404-000440	1	LEFT DOOR FRONT			
56		G122-000510	1	DUCT			
57		V264-000220	31	FLANGE NUT			

2. FRAME, COVER

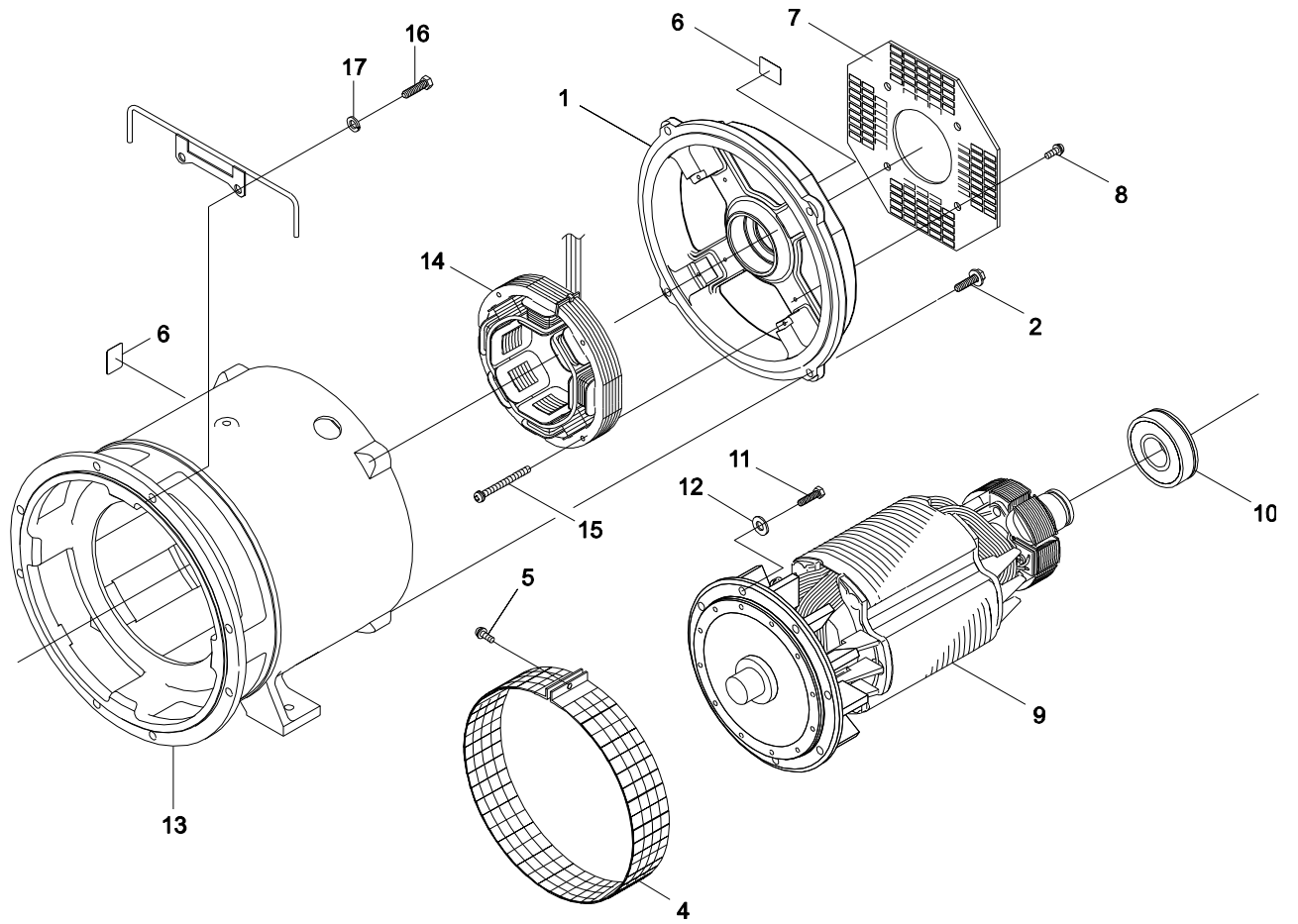
DGA12D



KEY	LV	PART NUMBER	Q'TY	DESCRIPTION	REMARKS	NOTE1	NOTE2
58		M404-000460	1	LEFT DOOR REAR			
59		C701-000440	2	LOCK COVER			
60		V541-000350	2	SHEET			
62		V265-000290	8	FLANGE NUT			
63		M406-000510	1	RIGHT DOOR REAR			
64		J470-002130	1	TANK COVER FRONT			
65		J470-006150	1	COVER			
66		J470-006160	1	COVER			
67		G300-000220	1	BASE,BATTERY			
68		A301-000070	1	PLATE,MUFFLER			
69		V481-000160	1	BATTERY 75D31R			
70		V486-000240	1	TERMINAL			
71		V265-000310	1	NUT			
72		G305-000030	1	TERMINAL CAP			
73		G303-000140	1	BATTERY STAY			
74		900602-00008	2	WASHER 8	8.4*17*1.6		
75		92190-08000	2	WING NUT			
76		V240-000140	2	BOLT BATTERY			
77		C519-005460	1	STAY			
78		M470-000340	1	FUEL COVER			
79		C390-000010	1	TONGUE			
80		91341-03010	2	SCREW-SW	M3*10		
81		V261-000010	2	FLANGE NUT			
82		91564-04012	6	SCREW SW			
83		A472-000520	1	CASE,SWITCH			
84		V145-000450	1	GROMMET			
85		G334-000860	1	BATTERY SWITCH			
86		J141-000110	1	SWITCH LEVER SET			
87		91568-05012	2	SCREW SLPW			
88		X505-004630	1	LABEL CAUTION			
89		X504-006550	2	LABEL,BRAND			
90		M704-000970	1	LABEL INST			
91		M705-000240	2	LABEL OUTPUT			
92		M707-000070	1	LABEL INST			
93		M704-001400	1	LABEL INST			
94		M707-000060	1	LABEL INST			
95		M704-000730	1	LABEL INST			
96		X505-004640	1	LABEL CAUTION			
97		X505-004660	1	LABEL CAUTION			
98		X505-004650	1	LABEL CAUTION			
104		M383-000000	1	LEAD WIRE			
105		M380-000060	1	LEAD WIRE			
107		V162-000520	8	PLUG			

3. GENERATOR

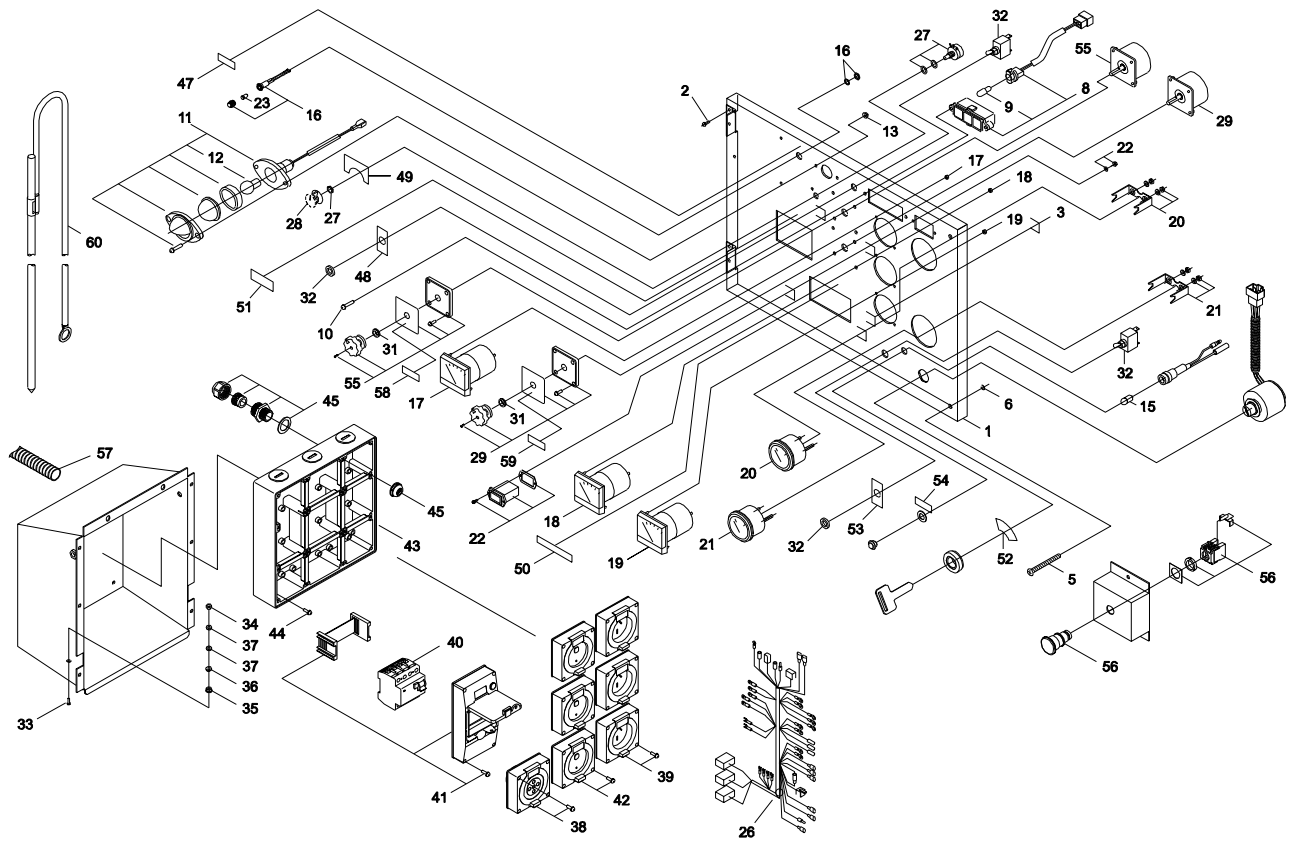
DGA12D



KEY	LV	PART NUMBER	Q'TY	DESCRIPTION	REMARKS	NOTE1	NOTE2
1		M305-000050	1	REAR BRACKET			
2		91022-10035	4	BOLT SW			
4		A172-001720	1	COVER,FAN			
5		91564-04030	1	SCREW SW			
6		M703-000020	2	LABEL THERMOMETER			
7		J470-004490	1	COVER			
8		91564-05010	4	SCREW SPW			
9		M102-000111	1	ROTOR			
10		V592-000170	1	BEARING			
11		91027-08030	8	BOLT			
12		900605-00008	8	WASHER, SPRING 8	8		
13		A041-000421	1	STATOR ASSEMBLY			
14		A041-000141	1	STATOR ASSEMBLY			
15		91564-05040	4	SCREW SW			
16		91027-10030	8	BOLT			
17		900605-00010	8	WASHER, SPRING 10	10		

4. CONTROL PANEL

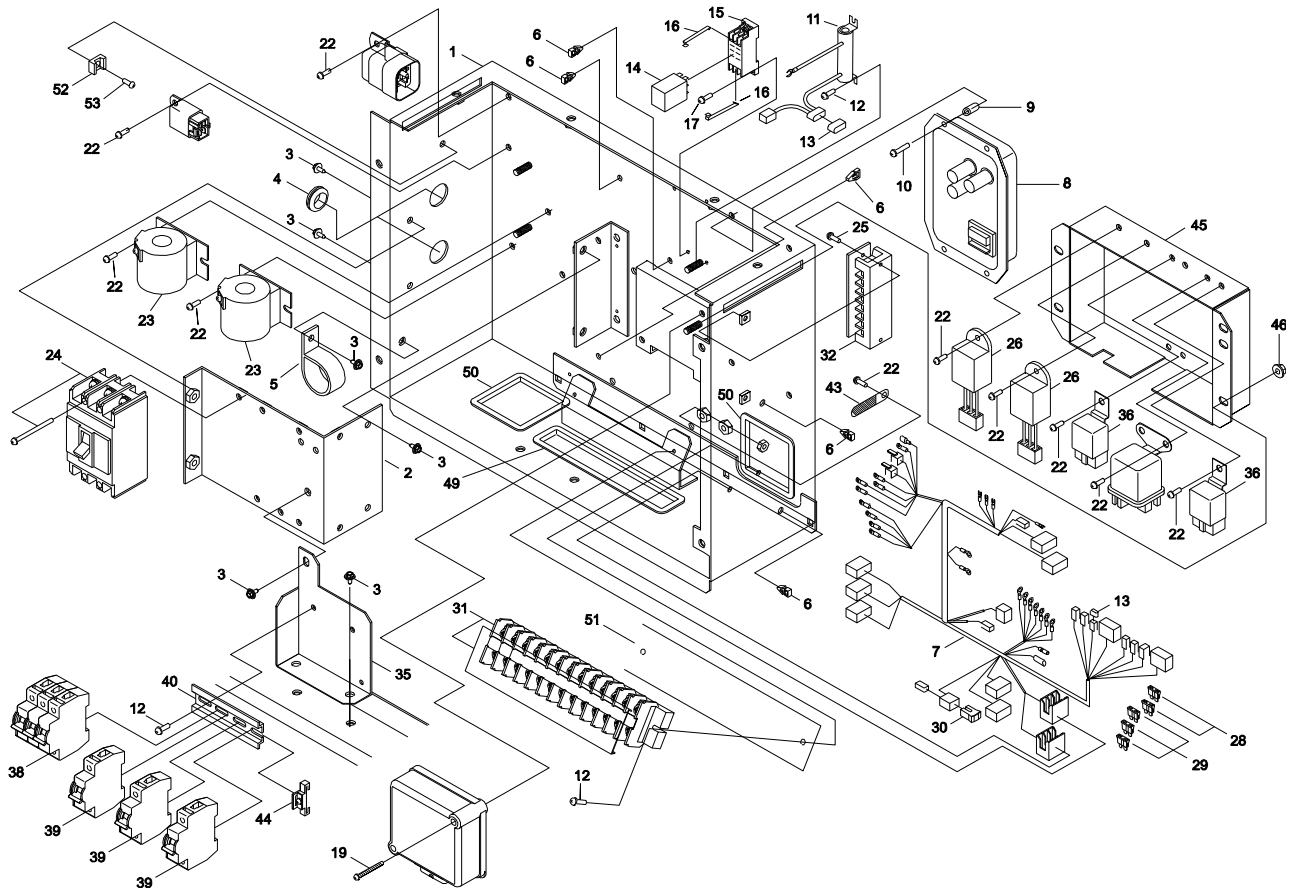
DGA12D



KEY	LV	PART NUMBER	Q'TY	DESCRIPTION	REMARKS	NOTE1	NOTE2
1		C160-000703	1	PANEL OPERATION			
2		91564-04010	4	SCREW SPW			
3		M416-000040	5	TIE MOUNT			
5		91318-06030	2	SCREW TRUSS			
6		V324-000010	2	WASHER			
8		G385-000040	1	MONITOR ASSY			
9	+	G328-000020	3	LAMP			
10		91374-04016	2	SCREW TAPPING			
11		M306-000010	1	PLATE LAMP SUB ASSY			
12	+	G328-000030	1	LAMP			
13		V262-000190	2	FLANGE NUT			
15		G328-000180	1	BULB			
16		G327-000280	1	LAMP BRACKET ASSY			
23	+	G328-000060	1	LAMP			
17		M109-000140	1	METER (V)			
18		M109-000230	1	METER			
19		M109-000120	1	METER			
20		M109-000210	1	METER (COOLANT TEMP)			
21		G318-000010	1	FUEL METER			
22		G319-000060	1	HOUR METER			
26		G360-000580	1	WIRING HARNESS ASSY			
27		M112-000010	1	VOLUME COMP			
28		E145-000060	1	DIAL			
29		G334-001300	1	SWITCH			
31		V144-000530	2	GROMMET			
32		A045-000510	2	TOGGLE SWITCH			
33		91034-08040	1	BOLT SW			
34		900509-00008	1	NUT 8 SUS	8 SUS		
35		V265-000300	1	FLANGE NUT			
36		900609-00008	1	WASHER, SPRING 8 SUS	8 SUS		
37		92225-08000	2	WASHER			
38		C154-000191	1	RECEPTACLE			
39		C154-000201	3	RECEPTACLE			
40		M111-001110	1	BREAKER	4RC440/30 4P4E		
41		A405-000000	1	BREAKER COVER			
42		M111-000440	3	SOCKET			
43		J430-000330	1	CONTROL BOX			
44		91564-04016	6	SCREW SPW			
45		V139-000040	3	CLAMP			
47		M704-000650	1	LABEL INST			
48		M704-000660	1	LABEL INST			
49		M704-000670	1	LABEL INST			
50		M707-000080	1	LABEL INST			
51		M704-000680	1	LABEL INST			
52		M707-000050	1	LABEL INST			
53		M707-000090	1	LABEL INST			
54		M707-000100	1	LABEL INST			
55		G334-001310	1	SWITCH			
56		G334-000770	1	BUTTON SWITCH			
57		V475-006090	1	TUBE			
58		M707-000330	1	LABEL INST			
59		M707-000320	1	LABEL INST			
60		M310-000060	1	EARTH ROD			

5. CONTROL BOX

DGA12D



KEY	LV	PART NUMBER	Q'TY	DESCRIPTION	REMARKS	NOTE1	NOTE2
1		J430-000320	1	CONTROL BOX			
2		C519-002800	1	BREAKER STAY			
3		V204-001090	7	BOLT FT SW			
4		V144-000360	2	GROMMET			
5		V490-000840	1	CORD CLAMP			
6		M416-000000	5	BAND STOPPER			
7		G031-002310	1	WIRING HARNESS ASSY			
13	+	G347-000020	1	DIODE			
28	+	G350-000230	2	FUSE	10A		
29	+	G350-000200	3	FUSE	5A		
30	+	G350-000250	1	FUSE	50A		
8		G370-000510	1	PRINTED CIRCUIT			
9		V375-000420	4	COLLAR			
10		91461-04065	4	SCREW			
11		M110-000040	1	RESISTOR COMP			
12		V252-000550	6	SCREW TAPPING			
13		G347-000020	1	DIODE			
14		G343-000220	1	RELAY			
15		C153-000200	1	SOCKET			
16		C519-002640	2	STAY			
17		V252-000540	2	SCREW TAPPING			
19		91564-05050	2	SCREW SW			
22		91568-05012	13	SCREW SLPW			
23		M108-000030	2	CT			
24		M111-000400	1	BREAKER			
25		91564-04016	2	SCREW SPW			
26		G370-000470	2	PRINT CIRCUIT			
31		M308-000300	1	TERMINAL BLOCK			
32		M308-000250	1	TERMINAL BLOCK			
35		C519-002810	1	BREAKER STAY			
36		G343-000490	2	RELAY			
38		M126-000000	1	BREAKER	4CB320/6 3P3E20A		
39		M126-000040	3	BREAKER			
40		C607-000140	1	RAIL			
43		V490-000810	1	CORD CLAMP			
44		G257-000240	1	END PLATE			
45		G372-000030	1	RELAY COVER			
46		V264-000220	4	FLANGE NUT			
49		V144-000410	1	GROMMET			
50		V144-000420	2	GROMMET			
51		M702-000040	1	SHEET			
52		M416-000010	1	TIE MOUNT			
53		91343-05012	1	SCREW			

Index

Patrs Number	Key No.	Patrs Number	Key No.	Patrs Number	Key No.
900100-08070	1 - 65	92225-08000	4 - 37	G202-000210	1 - 9
900101-10025	1 - 32	A041-000141	3 - 14	G202-000220	1 - 10
900120-08050	1 - 60	A041-000421	3 - 13	G230-000150	1 - 44
900147-08030	1 - 46	A045-000510	4 - 32	G231-000420	1 - 47
900147-10020	2 - 14	A172-001720	3 - 4	G231-000430	1 - 40
900209-05010	2 - 12	A172-002400	1 - 12	G250-000220	1 - 49
900209-05010	2 - 12	A172-002410	1 - 13	G255-000010	1 - 50
900216-06014	1 - 67	A172-002420	1 - 123	G257-000240	5 - 44
900500-00008	1 - 42	A301-000070	2 - 68	G257-000810	2 - 53
900500-00010	2 - 51	A369-000160	1 - 51	G300-000220	2 - 67
900509-00008	4 - 34	A392-000270	1 - 57	G303-000140	2 - 73
900602-00008	1 - 59	A393-000240	1 - 58	G305-000030	2 - 72
900602-00008	2 - 74	A405-000000	4 - 41	G318-000010	4 - 21
900602-00012	1 - 39	A472-000520	2 - 83	G319-000060	4 - 22
900605-00008	1 - 43	C153-000170	1 - 86	G327-000280	4 - 16
900605-00008	3 - 12	C153-000180	1 - 101	G328-000020	4 - 9
900605-00010	1 - 33	C153-000190	1 - 114	G328-000030	4 - 12
900605-00010	3 - 17	C153-000200	5 - 15	G328-000060	4 - 23
900605-00012	1 - 29	C154-000191	4 - 38	G328-000180	4 - 15
900609-00008	4 - 36	C154-000201	4 - 39	G334-000770	4 - 56
91010-12030	1 - 28	C160-000703	4 - 1	G334-000860	2 - 85
91022-10035	3 - 2	C390-000010	2 - 79	G334-001300	4 - 29
91024-10030	2 - 9	C519-002450	1 - 34	G334-001310	4 - 55
91027-08030	3 - 11	C519-002640	5 - 16	G343-000220	5 - 14
91027-10030	3 - 16	C519-002800	5 - 2	G343-000490	5 - 36
91031-05012	1 - 54	C519-002810	5 - 35	G347-000020	5 - 13
91034-08040	4 - 33	C519-003680	1 - 37	G347-000020	5 - 13
91034-10030	2 - 41	C519-005450	1 - 116	G350-000200	5 - 29
91083-08020	2 - 26	C519-005460	2 - 77	G350-000230	5 - 28
91318-06030	4 - 5	C607-000140	5 - 40	G350-000250	5 - 30
91341-03010	2 - 80	C701-000420	2 - 31	G360-000500	1 - 117
91343-05012	1 - 36	C701-000440	2 - 59	G360-000580	4 - 26
91343-05012	2 - 3	E145-000060	4 - 28	G365-000040	1 - 122
91343-05012	5 - 53	E237-000140	1 - 71	G370-000470	5 - 26
91374-04016	4 - 10	E265-000120	1 - 69	G370-000510	5 - 8
91381-04020	2 - 24	E265-000130	1 - 102	G372-000030	5 - 45
91461-04065	5 - 10	E265-000140	1 - 111	G385-000040	4 - 8
91564-04010	4 - 2	E325-000070	1 - 53	J141-000110	2 - 86
91564-04012	2 - 82	E328-000110	1 - 89	J405-001110	2 - 1
91564-04016	4 - 44	E328-000160	1 - 104	J410-000690	2 - 10
91564-04016	5 - 25	G031-002310	5 - 7	J410-000730	2 - 38
91564-04030	3 - 5	G121-000500	1 - 26	J410-001880	2 - 35
91564-05010	3 - 8	G121-000510	1 - 30	J415-000600	2 - 7
91564-05040	3 - 15	G122-000510	2 - 56	J415-000610	2 - 8
91564-05050	5 - 19	G122-001510	2 - 15	J425-000740	2 - 29
91564-06010	1 - 17	G122-001520	2 - 16	J425-000990	2 - 20
91568-05012	2 - 87	G126-000410	1 - 25	J430-000320	5 - 1
91568-05012	5 - 22	G200-000100	1 - 7	J430-000330	4 - 43
92190-08000	2 - 75	G201-000390	1 - 14	J430-001020	2 - 52

Index

Patrs Number	Key No.	Patrs Number	Key No.	Patrs Number	Key No.
J465-000480	2 - 34	M402-000040	2 - 28	V187-000100	1 - 70
J470-002130	2 - 64	M404-000440	2 - 55	V187-000110	1 - 88
J470-004490	3 - 7	M404-000460	2 - 58	V187-000120	1 - 112
J470-006030	2 - 5	M406-000510	2 - 63	V187-000150	1 - 103
J470-006150	2 - 65	M409-000030	2 - 46	V187-000160	1 - 113
J470-006160	2 - 66	M415-000360	2 - 37	V203-001730	1 - 118
J471-000380	2 - 21	M416-000000	5 - 6	V204-001090	1 - 19
J471-000390	2 - 22	M416-000010	1 - 35	V204-001090	2 - 17
J480-000210	2 - 42	M416-000010	2 - 2	V204-001090	5 - 3
J480-000230	2 - 40	M416-000010	5 - 52	V205-001120	1 - 87
J480-000240	2 - 43	M416-000040	1 - 63	V205-001120	2 - 6
J485-000240	2 - 11	M416-000040	4 - 3	V205-001170	1 - 18
J485-000250	2 - 25	M417-000220	2 - 33	V205-001170	2 - 54
J485-000260	2 - 27	M418-000070	2 - 39	V206-000580	1 - 115
J485-000270	2 - 32	M470-000340	2 - 78	V207-000100	1 - 38
J485-000280	2 - 47	M470-001830	2 - 19	V240-000140	2 - 76
K210-000080	1 - 119	M470-001840	2 - 18	V252-000540	5 - 17
K221-000030	1 - 52	M470-001850	2 - 48	V252-000550	5 - 12
K400-001820	1 - 76	M601-000170	1 - 106	V261-000010	2 - 81
K400-001820	1 - 109	M608-000040	1 - 8	V262-000190	4 - 13
K400-001840	1 - 75	M702-000040	5 - 51	V263-000330	2 - 30
K400-001850	1 - 73	M703-000020	3 - 6	V264-000220	1 - 11
K400-001860	1 - 77	M704-000650	4 - 47	V264-000220	2 - 57
K400-001890	1 - 107	M704-000660	4 - 48	V264-000220	5 - 46
K400-001950	1 - 108	M704-000670	4 - 49	V265-000290	2 - 62
K401-000530	1 - 72	M704-000680	4 - 51	V265-000300	4 - 35
K403-000060	1 - 99	M704-000730	2 - 95	V265-000310	2 - 71
M102-000111	3 - 9	M704-000970	2 - 90	V299-000480	2 - 44
M108-000030	5 - 23	M704-001400	2 - 93	V324-000010	4 - 6
M109-000120	4 - 19	M705-000240	2 - 91	V375-000400	2 - 13
M109-000140	4 - 17	M707-000050	4 - 52	V375-000410	2 - 50
M109-000210	4 - 20	M707-000060	2 - 94	V375-000420	5 - 9
M109-000230	4 - 18	M707-000070	2 - 92	V376-002010	1 - 27
M110-000040	5 - 11	M707-000080	4 - 50	V376-002020	1 - 31
M111-000400	5 - 24	M707-000090	4 - 53	V404-000140	2 - 4
M111-000440	4 - 42	M707-000100	4 - 54	V420-003020	1 - 55
M111-001110	4 - 40	M707-000320	4 - 59	V420-003030	1 - 56
M112-000010	4 - 27	M707-000330	4 - 58	V420-003070	2 - 23
M126-000000	5 - 38	V104-001700	1 - 45	V420-003080	2 - 49
M126-000040	5 - 39	V139-000040	4 - 45	V471-002910	1 - 110
M305-000050	3 - 1	V144-000360	5 - 4	V471-002920	1 - 74
M306-000010	4 - 11	V144-000410	5 - 49	V475-006090	4 - 57
M308-000250	5 - 32	V144-000420	5 - 50	V481-000160	2 - 69
M308-000300	5 - 31	V144-000440	2 - 36	V486-000240	2 - 70
M310-000060	4 - 60	V144-000530	4 - 31	V490-000810	1 - 16
M380-000060	2 - 105	V145-000320	1 - 61	V490-000810	5 - 43
M383-000000	2 - 104	V145-000450	2 - 84	V490-000840	5 - 5
M383-000010	1 - 124	V162-000520	2 - 107	V495-001660	1 - 81
M383-000020	1 - 120	V187-000090	1 - 62	V495-001670	1 - 82

Index

Patrs Number	Key No.	Patrs Number	Key No.	Patrs Number	Key No.
V495-001720	1 - 100				
V495-002000	1 - 48				
V541-000350	2 - 60				
V583-000230	2 - 45				
V592-000170	3 - 10				
X504-006550	2 - 89				
X505-004630	2 - 88				
X505-004640	2 - 96				
X505-004650	2 - 98				
X505-004660	2 - 97				

YAMABIKO CORPORATION

7-2 SUEHIROCHO 1-CHOME, OHME, TOKYO 198-8760, JAPAN
PHONE: 81-428-32-6118. FAX: 81-428-32-6145.

shindaiwa[®]

14Eb
No.DDA-A47-080