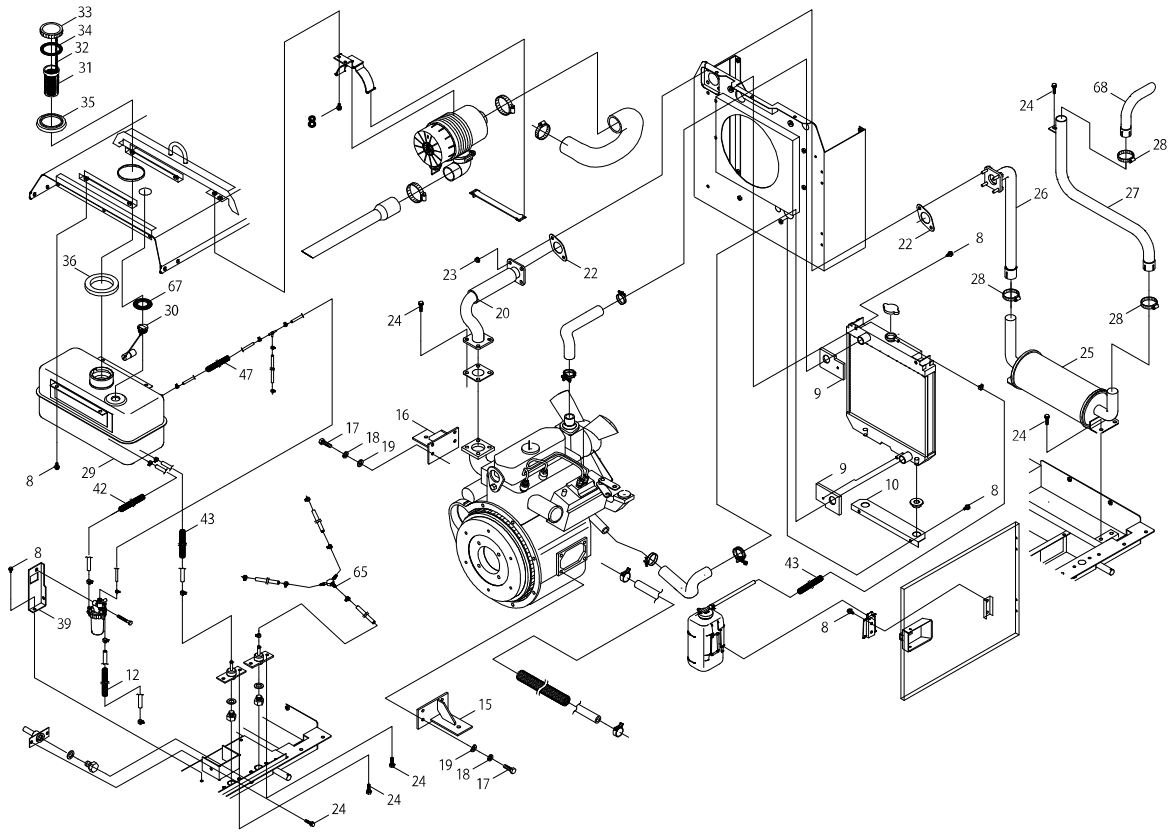


shindaiwa[®]

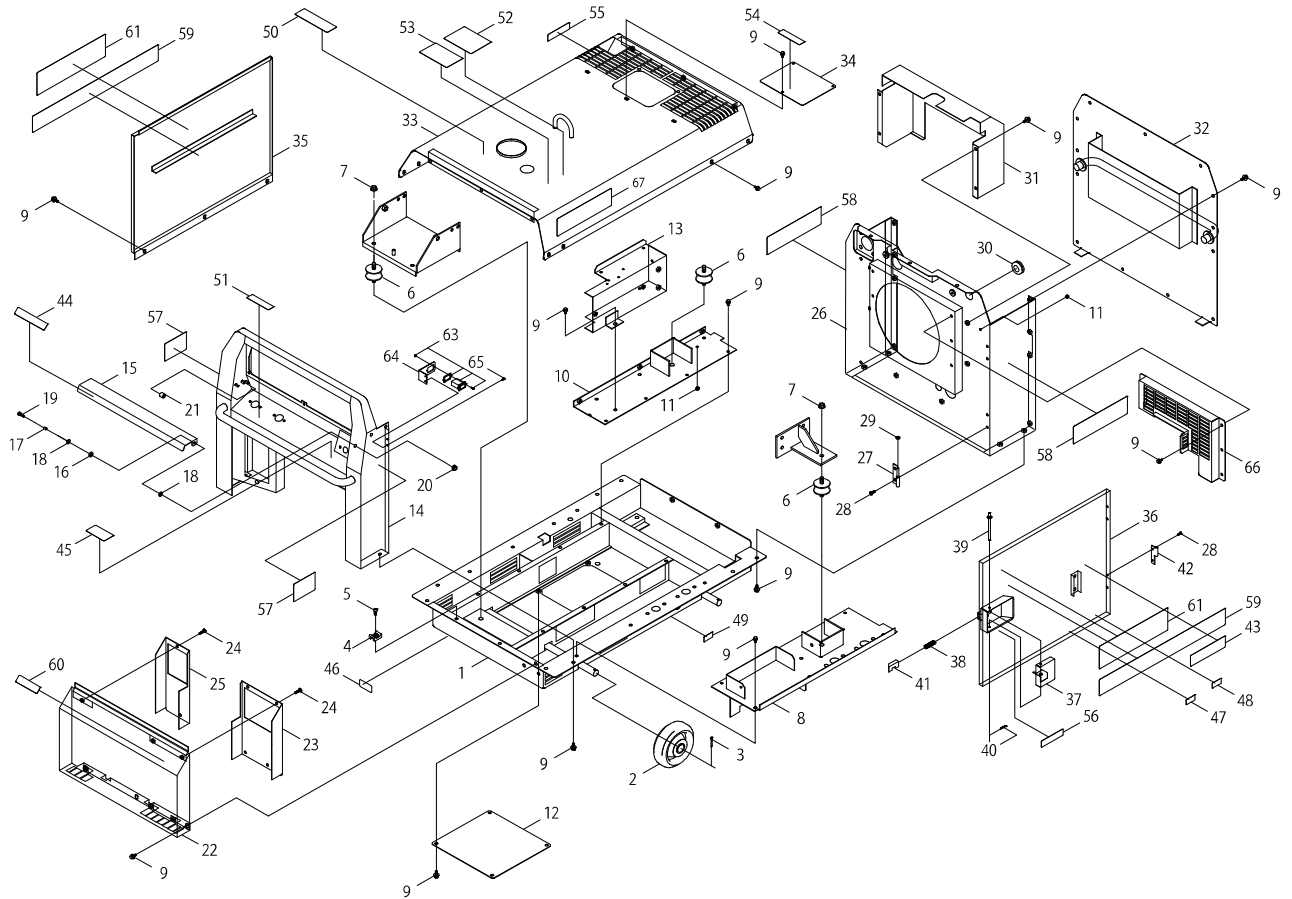
PARTS CATALOGUE

DGW201M/ANZ

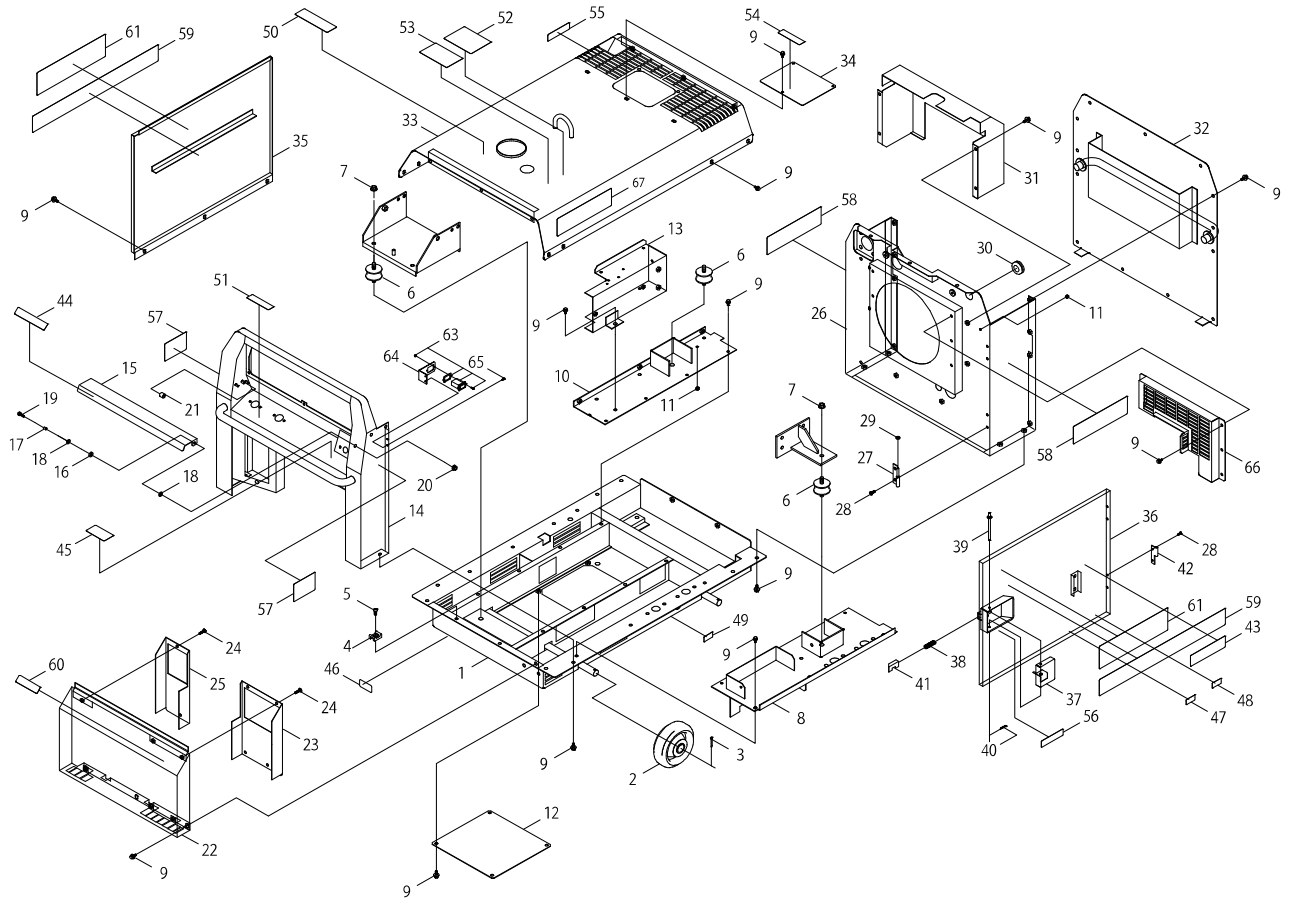
P016-000290-11Eb



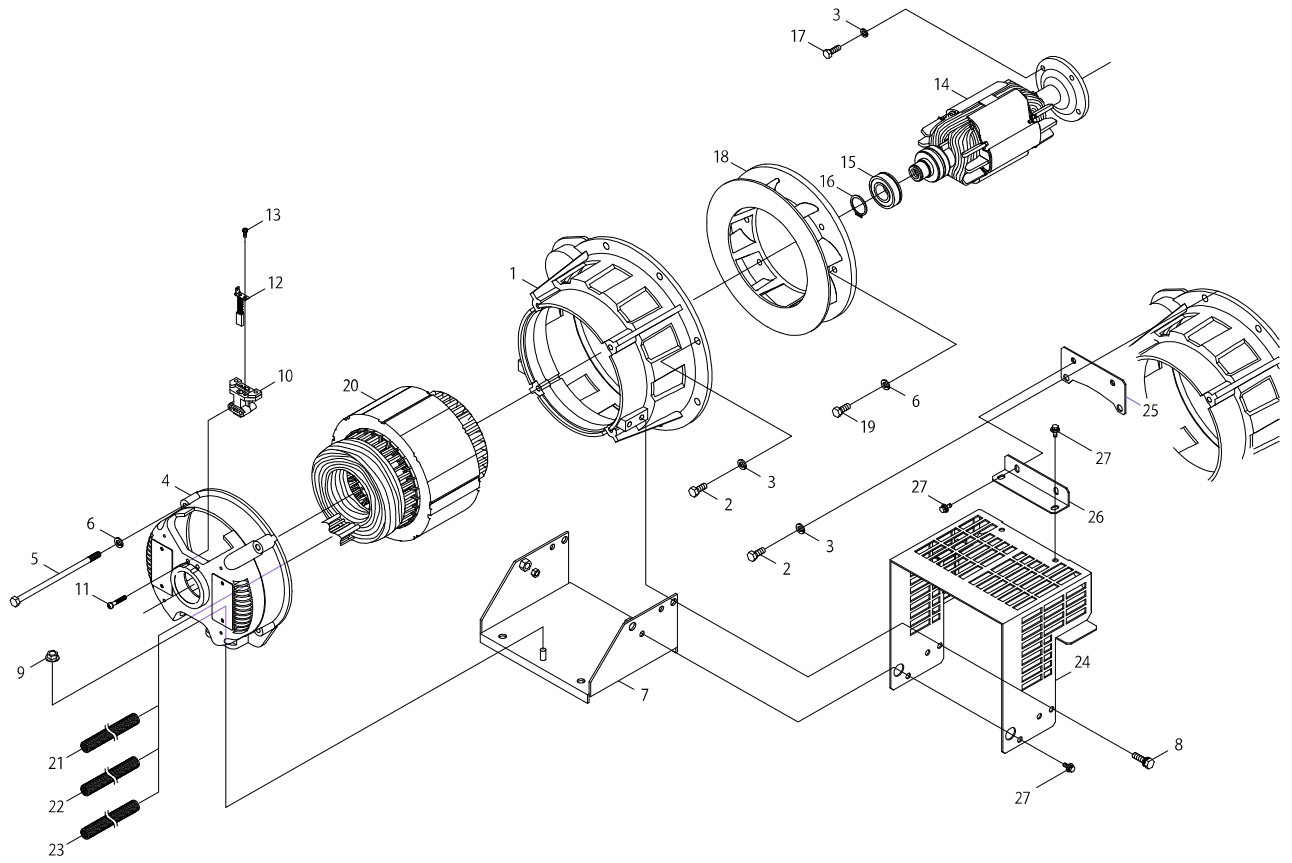
| KEY | LV | PART NUMBE | Q'TY | DESCRIPTION | REMARKS |
|-----|----|--------------|------|-------------------|---------|
| 8 | | V204-001090 | 14 | BOLT FT SW | |
| 9 | | V418-000040 | 2 | SPONGE | |
| 10 | | C519-002900 | 1 | RADIATOR STAY | |
| 12 | | V476-000200 | 1 | TUBE | |
| 15 | | G121-000180 | 1 | ENGINE STAY RIGHT | |
| 16 | | G121-000190 | 1 | ENGINE STAY LEFT | |
| 17 | | V206-000480 | 8 | BOLT | |
| 18 | | 900605-00010 | 8 | WASHER, SPRING 10 | |
| 19 | | 900617-00010 | 8 | WASHER 10 | |
| 20 | | G231-000570 | 1 | FLEXIBLE TUBE | |
| 22 | | V104-001740 | 2 | GASKET | |
| 23 | | V265-000290 | 4 | FLANGE NUT | |
| 24 | | 900147-08020 | 15 | BOLT 8*20 | |
| 25 | | G230-000080 | 1 | MUFFLER | |
| 26 | | G231-000580 | 1 | INLET PIPE | |
| 27 | | G231-000590 | 1 | EXHAUST PIPE | |
| 28 | | V495-002080 | 3 | CLAMP | |
| 29 | | A350-001610 | 1 | FUEL TANK | |
| 30 | | G318-000030 | 1 | FUEL GAUGE | |
| 31 | | K329-000050 | 1 | STRAINER | |
| 32 | | V489-000120 | 1 | CHAIN | |
| 33 | | G255-000110 | 1 | TANK CAP | |
| 34 | + | V107-000140 | 1 | PACKING | |
| 35 | | V145-000510 | 1 | TANK BUSH | |
| 36 | | V540-000360 | 1 | SHEET | |
| 39 | | E241-000080 | 1 | STRAINER STAY | |
| 42 | | V476-000190 | 1 | TUBE | |
| 43 | | V476-000180 | 1 | TUBE | |
| 47 | | V476-000210 | 1 | TUBE | |
| 65 | | M601-000080 | 1 | JOINT | |
| 67 | | V145-000370 | 1 | WINDOW BUSH | |
| 68 | | G231-000710 | 1 | TAIL PIPE | |



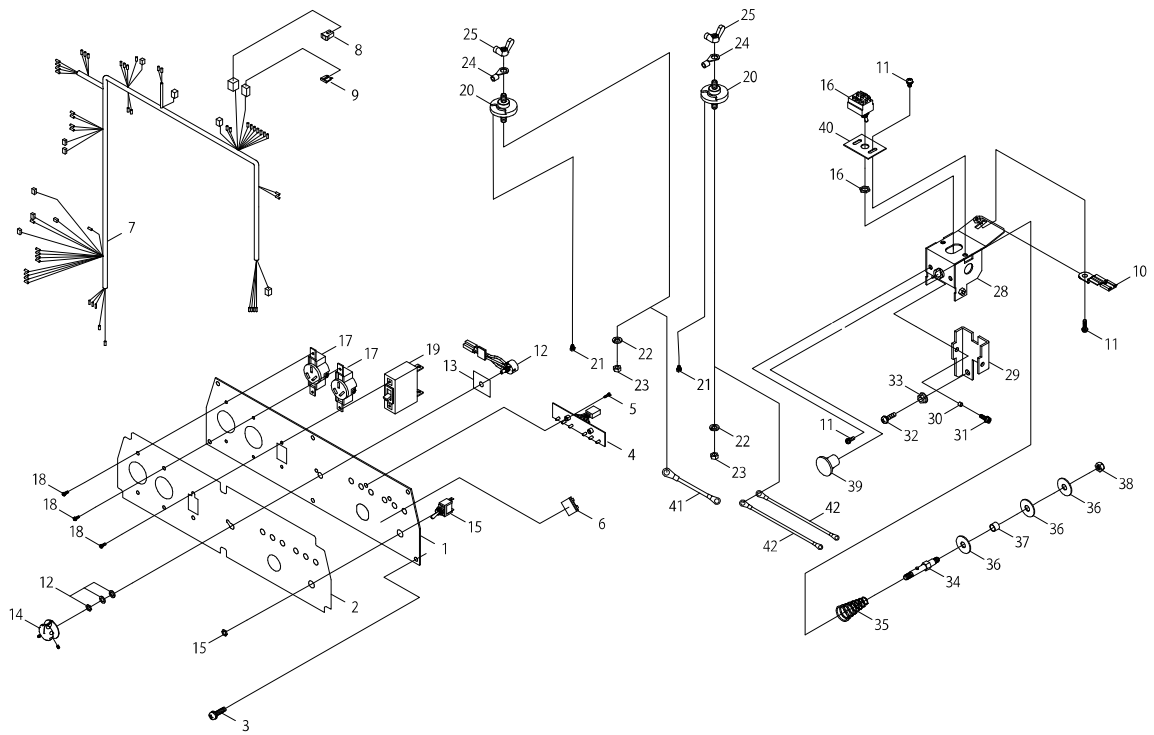
| KEY | LV | PART NUMBE | Q'TY | DESCRIPTION | REMARKS |
|-----|----|--------------|------|------------------|---------|
| 1 | | J405-001330 | 1 | BED | |
| 2 | | C705-000230 | 4 | CASTER | |
| 3 | | 93002-50300 | 4 | PIN | |
| 4 | | M416-000020 | 2 | TIE MOUNT | |
| 5 | | 91461-06012 | 2 | SCREW | |
| 6 | | V420-003130 | 4 | AV RUBBER | |
| 7 | | V266-000130 | 4 | FLANGE NUT | |
| 8 | | G122-000880 | 1 | DUCT RIGHT | |
| 9 | | V204-001090 | 69 | BOLT FT SW | |
| 10 | | G122-000890 | 1 | DUCT LEFT | |
| 11 | | M416-000030 | 2 | BAND STOPPER | |
| 12 | | J470-002420 | 1 | OIL PAN COVER | |
| 13 | | J430-000740 | 1 | BOX,CONTROL | |
| 14 | | J410-002170 | 1 | BONNET | |
| 15 | | J470-005420 | 1 | COVER | |
| 16 | | V420-003160 | 1 | BUSH RUBBER | |
| 17 | | V375-000480 | 1 | COLLAR | |
| 18 | | 900617-00008 | 2 | WASHER | |
| 19 | | 91036-06020 | 1 | BOLT SW | |
| 20 | | V264-000220 | 1 | FLANGE NUT | |
| 21 | | V420-003170 | 1 | RUBBER PIPE | |
| 22 | | M465-000030 | 1 | FRONT PANEL | |
| 23 | | G122-000900 | 1 | FRONT DUCT RIGHT | |
| 24 | | 91463-05012 | 6 | SCREW TRUSS | |
| 25 | | G122-000910 | 1 | FRONT DUCT LEFT | |
| 26 | | J491-001540 | 1 | BONNET | |
| 27 | | P021-037080 | 2 | HINGE | |
| 28 | | 91493-05014 | 8 | SCREW TAPPING | |
| 29 | | P021-037080 | 2 | COLLAR | |
| 30 | | V144-000450 | 1 | GROMMET | |
| 31 | | A209-000380 | 1 | BAFFLE | |
| 32 | | M465-000040 | 1 | REAR PANEL | |
| 33 | | J410-002280 | 1 | TOP COVER | |
| 34 | | J480-000740 | 1 | LID,COVER | |
| 35 | | M465-000020 | 1 | SIDE COVER | |
| 36 | | M409-000050 | 1 | SIDE DOOR | |
| 37 | | J416-000000 | 1 | KNOB,BONNET | |
| 38 | | V450-001280 | 1 | COIL SPRING | |
| 39 | | V623-000080 | 1 | PIN COMP | |
| 40 | | 93003-05000 | 1 | SNAP PIN | |
| 41 | | C390-000060 | 1 | LATCH | |
| 42 | | P021-037080 | 2 | HINGE | |
| 43 | | X543-001880 | 1 | LABEL TRADE | |
| 44 | | M704-001440 | 1 | LABEL INST | |
| 45 | | X511-000130 | 1 | LABEL INST | |
| 46 | | M704-001400 | 1 | LABEL INST | |
| 47 | | M704-000200 | 1 | LABEL INST | |
| 48 | | M704-000780 | 1 | LABEL INST | |
| 49 | | M704-001460 | 1 | LABEL INST | |
| 50 | | X505-004880 | 1 | LABEL CAUTION | |
| 51 | | X505-004930 | 1 | LABEL CAUTION | |
| 52 | | X505-004900 | 1 | LABEL CAUTION | |
| 53 | | X505-004910 | 1 | LABEL CAUTION | |
| 54 | | X505-004950 | 1 | LABEL CAUTION | |
| 55 | | X505-004940 | 1 | LABEL CAUTION | |
| 56 | | X505-004960 | 1 | LABEL CAUTION | |
| 57 | | X524-003140 | 2 | LABEL DESIGN | |



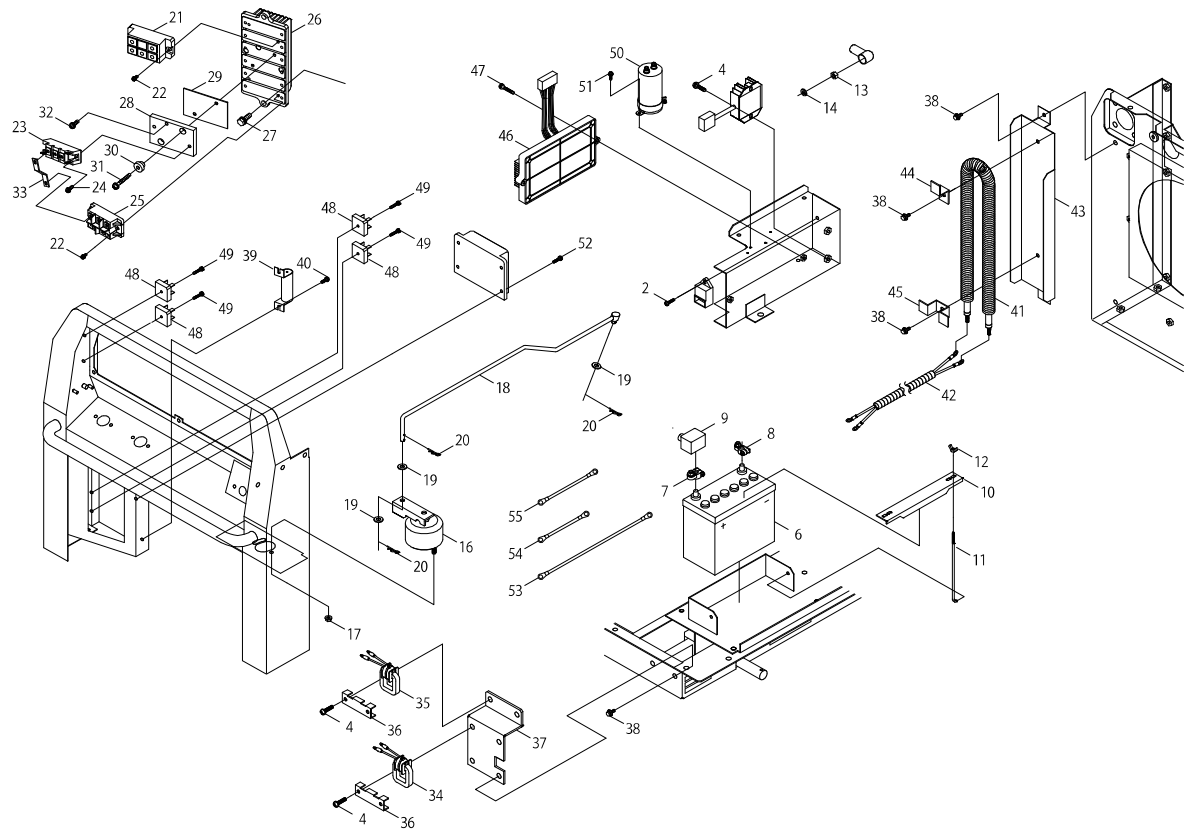
| KEY | LV | PART NUMBE | Q'TY | DESCRIPTION | REMARKS |
|-----|----|-------------|------|--------------|---------|
| 58 | | X524-003150 | 2 | LABEL DESAIN | |
| 59 | | X524-003160 | 2 | LABEL DESAIN | |
| 60 | | X504-005210 | 1 | LABEL TRADE | |
| 61 | | X504-005220 | 2 | LABEL TRADE | |
| 63 | | G319-000060 | 1 | HOUR METER | |
| 64 | + | C519-003030 | 1 | METER STAY | |
| 65 | + | 91463-03010 | 2 | SCREW TRUSS | |
| 66 | | A172-001921 | 1 | COVER,FAN | |
| 67 | | X504-006550 | 2 | LABEL,BRAND | |



| KEY | LV | PART NUMBE | Q'TY | DESCRIPTION | REMARKS |
|-----|----|--------------|------|-------------------|---------|
| 1 | | M305-000100 | 1 | FRONT BRACKET | |
| 2 | | V206-000320 | 7 | BOLT | |
| 3 | | 900605-00010 | 11 | WASHER, SPRING 10 | |
| 4 | | M305-000110 | 1 | REAR BRACKET | |
| 5 | | 900100-08160 | 4 | BOLT | |
| 6 | | 900605-00008 | 8 | WASHER, SPRING 8 | |
| 7 | | C519-004260 | 1 | STAY | |
| 8 | | 900147-08020 | 4 | BOLT 8*20 | |
| 9 | | V265-000290 | 1 | FLANGE NUT | |
| 10 | | M315-000000 | 1 | BRUSH HOLDER | |
| 11 | | 91341-05030 | 2 | SCREW SW | |
| 12 | | X668-000130 | 2 | BRUSH | |
| 13 | | 91561-04008 | 2 | SCREW SW | |
| 14 | | M102-000210 | 1 | ROTOR | |
| 15 | | V592-000190 | 1 | BEARING | |
| 16 | | 92423-25000 | 1 | SNAP RING | |
| 17 | | V206-000480 | 4 | BOLT | |
| 18 | | A171-000080 | 1 | FAN | |
| 19 | | 91026-08020 | 4 | BOLT | |
| 20 | | M106-000520 | 1 | STATOR | |
| 21 | | V476-000230 | 3 | TUBE | |
| 22 | | V476-000240 | 1 | TUBE | |
| 23 | | V476-000250 | 2 | TUBE | |
| 24 | | A172-001930 | 1 | COVER,FAN | |
| 25 | | C618-000330 | 1 | STAY,COVER | |
| 26 | | C618-000340 | 1 | STAY,COVER | |
| 27 | | V204-001090 | 6 | BOLT FT SW | |



| KEY | LV | PART NUMBE | Q'TY | DESCRIPTION | REMARKS |
|-----|----|--------------|------|---------------------|---------|
| 1 | | C160-000670 | 1 | PANEL,OPERATION | |
| 2 | | X532-002890 | 1 | LABEL,OPERATION | |
| 3 | | 91564-06016 | 6 | SCREW SW | |
| 4 | | G370-000580 | 1 | PRINT CIRCUIT | |
| 5 | | 91461-04014 | 2 | SCREW | |
| 6 | | M416-000040 | 1 | TIE MOUNT | |
| 7 | | G031-002560 | 1 | WIRING HARNESS ASSY | |
| 8 | + | G350-000260 | 1 | FUSE | |
| 9 | + | G350-000230 | 1 | FUSE | |
| 10 | | G391-000080 | 1 | FUSE STAY | |
| 11 | | 91564-05010 | 5 | SCREW SPW | |
| 12 | | M112-000020 | 1 | VOLUM COMP | |
| 13 | | M702-000050 | 1 | INS PAPER | |
| 14 | | E145-000070 | 1 | DIAL | |
| 15 | | A045-000510 | 1 | TOGGLE SWITCH | |
| 16 | | G334-000840 | 1 | TOGGLE SWITCH | |
| 17 | | C154-000240 | 2 | PLUG SOCKET | |
| 18 | | 91561-04006 | 6 | SCREW SW | |
| 19 | | C137-000120 | 1 | CIRCUIT PROTECTOR | |
| 20 | | M603-000000 | 2 | TERMINAL REST | |
| 21 | | 91031-05008 | 4 | BOLT SW | |
| 22 | | 92237-10000 | 2 | SPRING WASHER | |
| 23 | | 900504-00010 | 2 | NUT 10B | |
| 24 | | V486-000300 | 2 | TERMINAL | |
| 25 | | 92085-10000 | 2 | WING NUT | |
| 28 | | C519-002940 | 1 | BRACKET | |
| 29 | | C453-000390 | 1 | THROTTLE LEVER | |
| 30 | | V375-000490 | 2 | COLLAR | |
| 31 | | 900147-05016 | 2 | BOLT 5*16 | W/SW |
| 32 | | 91461-06040 | 1 | SCREW | |
| 33 | | V264-000220 | 1 | FLANGE NUT | |
| 34 | | C451-000050 | 1 | SHAFT | |
| 35 | | V450-001290 | 1 | COIL SPRING | |
| 36 | | C603-000290 | 3 | SIDE PLATE | |
| 37 | | V375-000500 | 1 | COLLAR | |
| 38 | | V265-000340 | 1 | LOCK NUT | |
| 39 | | M613-000030 | 1 | GRIP | |
| 40 | | A439-000590 | 1 | SWITCH PLATE | |
| 41 | | M380-000110 | 1 | LEAD WIRE | |
| 42 | | M380-000120 | 2 | LEAD WIRE | |



| KEY | LV | PART NUMBE | Q'TY | DESCRIPTION | REMARKS |
|-----|----|--------------|------|------------------|---------|
| 2 | | 91564-05016 | 1 | SCREW SW | |
| 4 | | 91564-06025 | 6 | SCREW SW | |
| 6 | | V481-000270 | 1 | BATTERY 44B19L | |
| 7 | | G304-000020 | 1 | TERMINAL + | |
| 8 | | G304-000030 | 1 | TERMINAL - | |
| 9 | | G305-000050 | 1 | TERMINAL CAP | |
| 10 | | G303-000160 | 1 | BATTERY STAY | |
| 11 | | V240-000210 | 2 | BOLT BATTERY | |
| 12 | | 900527-00005 | 2 | NUT, WING 5 | |
| 13 | | 900500-00008 | 1 | NUT 8 | |
| 14 | | 900605-00008 | 1 | WASHER, SPRING 8 | |
| 16 | | M118-000010 | 1 | SOLENOID COMP | |
| 17 | | V264-000220 | 2 | FLANGE NUT | |
| 18 | | C454-000340 | 1 | ROD | |
| 19 | | 900602-00006 | 3 | WASHER 6 | |
| 20 | | 93003-06000 | 3 | SNAP PIN | |
| 21 | | M105-000030 | 1 | RECTIFIER | |
| 22 | | 91036-05020 | 4 | BOLT SW | |
| 23 | | M101-000010 | 1 | THYRISTOR COMP | |
| 24 | | 91564-06020 | 2 | SCREW SW | |
| 25 | | M105-000060 | 1 | RECTIFIER | |
| 26 | | M615-000030 | 1 | STACK FIN | |
| 27 | | 900147-08020 | 2 | BOLT 8*20 | |
| 28 | | A471-000410 | 1 | STACK PLATE | |
| 29 | | C557-000150 | 1 | SHEET | |
| 30 | | V376-001460 | 2 | INS RING | |
| 31 | | 91565-06030 | 2 | SCREW SPW | |
| 32 | | 91564-06014 | 1 | SCREW SW | |
| 33 | | V150-002630 | 3 | BUS BAR | |
| 34 | | M010-000000 | 1 | CT | |
| 35 | | M010-000010 | 1 | CT COMP | |
| 36 | | V150-002640 | 2 | CORE PLATE COMP | |
| 37 | | C519-002920 | 1 | CT STAY | |
| 38 | | V204-001090 | 6 | BOLT FT SW | |
| 39 | | M110-000210 | 1 | RESISTOR COMP | |
| 40 | | 91564-05010 | 2 | SCREW SPW | |
| 41 | | M110-000090 | 1 | RESISTOR | |
| 42 | | G031-002390 | 1 | WIRING HARNESS | |
| 43 | | C519-002930 | 1 | RESISTOR STAY | |
| 44 | | V150-002650 | 1 | RESISTOR PLATE | |
| 45 | | V150-002680 | 1 | RESISTOR PLATE | |
| 46 | | G370-000570 | 1 | PRINTED CIRCUIT | |
| 47 | | 91564-05025 | 2 | SCREW SPW | |
| 48 | | M105-000090 | 4 | RECTIFIER | |
| 49 | | 91564-04020 | 4 | SCREW SPW | |
| 50 | | A403-000150 | 1 | CONDENSER | |
| 51 | | 91564-04010 | 2 | SCREW SPW | |
| 52 | | 91564-05020 | 4 | SCREW SW | |
| 53 | | M380-000080 | 1 | LEAD WIRE | |
| 54 | | M380-000090 | 1 | LEAD WIRE | |
| 55 | | M380-000100 | 1 | LEAD WIRE | |

Index

| Patrs Number | Key No. | Patrs Number | Key No. | Patrs Number | Key No. |
|---------------------|----------------|---------------------|----------------|---------------------|----------------|
| 900100-08160 | 3 - 5 | A172-001930 | 3 - 24 | G370-000570 | 5 - 46 |
| 900147-05016 | 4 - 31 | A209-000380 | 2 - 31 | G370-000580 | 4 - 4 |
| 900147-08020 | 1 - 24 | A350-001610 | 1 - 29 | G391-000080 | 4 - 10 |
| 900147-08020 | 3 - 8 | A403-000150 | 5 - 50 | J405-001330 | 2 - 1 |
| 900147-08020 | 5 - 27 | A439-000590 | 4 - 40 | J410-002170 | 2 - 14 |
| 900500-00008 | 5 - 13 | A471-000410 | 5 - 28 | J410-002280 | 2 - 33 |
| 900504-00010 | 4 - 23 | C137-000120 | 4 - 19 | J416-000000 | 2 - 37 |
| 900527-00005 | 5 - 12 | C154-000240 | 4 - 17 | J430-000740 | 2 - 13 |
| 900602-00006 | 5 - 19 | C160-000670 | 4 - 1 | J470-002420 | 2 - 12 |
| 900605-00008 | 3 - 6 | C390-000060 | 2 - 41 | J470-005420 | 2 - 15 |
| 900605-00008 | 5 - 14 | C451-000050 | 4 - 34 | J480-000740 | 2 - 34 |
| 900605-00010 | 1 - 18 | C453-000390 | 4 - 29 | J491-001540 | 2 - 26 |
| 900605-00010 | 3 - 3 | C454-000340 | 5 - 18 | K329-000050 | 1 - 31 |
| 900617-00008 | 2 - 18 | C519-002900 | 1 - 10 | M010-000000 | 5 - 34 |
| 900617-00010 | 1 - 19 | C519-002920 | 5 - 37 | M010-000010 | 5 - 35 |
| 91026-08020 | 3 - 19 | C519-002930 | 5 - 43 | M101-000010 | 5 - 23 |
| 91031-05008 | 4 - 21 | C519-002940 | 4 - 28 | M102-000210 | 3 - 14 |
| 91036-05020 | 5 - 22 | C519-003030 | 2 - 64 | M105-000030 | 5 - 21 |
| 91036-06020 | 2 - 19 | C519-004260 | 3 - 7 | M105-000060 | 5 - 25 |
| 91341-05030 | 3 - 11 | C557-000150 | 5 - 29 | M105-000090 | 5 - 48 |
| 91461-04014 | 4 - 5 | C603-000290 | 4 - 36 | M106-000520 | 3 - 20 |
| 91461-06012 | 2 - 5 | C618-000330 | 3 - 25 | M110-000090 | 5 - 41 |
| 91461-06040 | 4 - 32 | C618-000340 | 3 - 26 | M110-000210 | 5 - 39 |
| 91463-03010 | 2 - 65 | C705-000230 | 2 - 2 | M112-000020 | 4 - 12 |
| 91463-05012 | 2 - 24 | E145-000070 | 4 - 14 | M118-000010 | 5 - 16 |
| 91493-05014 | 2 - 28 | E241-000080 | 1 - 39 | M305-000100 | 3 - 1 |
| 91561-04006 | 4 - 18 | G031-002390 | 5 - 42 | M305-000110 | 3 - 4 |
| 91561-04008 | 3 - 13 | G031-002560 | 4 - 7 | M315-000000 | 3 - 10 |
| 91564-04010 | 5 - 51 | G121-000180 | 1 - 15 | M380-000080 | 5 - 53 |
| 91564-04020 | 5 - 49 | G121-000190 | 1 - 16 | M380-000090 | 5 - 54 |
| 91564-05010 | 4 - 11 | G122-000880 | 2 - 8 | M380-000100 | 5 - 55 |
| 91564-05010 | 5 - 40 | G122-000890 | 2 - 10 | M380-000110 | 4 - 41 |
| 91564-05016 | 5 - 2 | G122-000900 | 2 - 23 | M380-000120 | 4 - 42 |
| 91564-05020 | 5 - 52 | G122-000910 | 2 - 25 | M409-000050 | 2 - 36 |
| 91564-05025 | 5 - 47 | G230-000080 | 1 - 25 | M416-000020 | 2 - 4 |
| 91564-06014 | 5 - 32 | G231-000570 | 1 - 20 | M416-000030 | 2 - 11 |
| 91564-06016 | 4 - 3 | G231-000580 | 1 - 26 | M416-000040 | 4 - 6 |
| 91564-06020 | 5 - 24 | G231-000590 | 1 - 27 | M465-000020 | 2 - 35 |
| 91564-06025 | 5 - 4 | G231-000710 | 1 - 68 | M465-000030 | 2 - 22 |
| 91565-06030 | 5 - 31 | G255-000110 | 1 - 33 | M465-000040 | 2 - 32 |
| 92085-10000 | 4 - 25 | G303-000160 | 5 - 10 | M601-000080 | 1 - 65 |
| 92237-10000 | 4 - 22 | G304-000020 | 5 - 7 | M603-000000 | 4 - 20 |
| 92423-25000 | 3 - 16 | G304-000030 | 5 - 8 | M613-000030 | 4 - 39 |
| 93002-50300 | 2 - 3 | G305-000050 | 5 - 9 | M615-000030 | 5 - 26 |
| 93003-05000 | 2 - 40 | G318-000030 | 1 - 30 | M702-000050 | 4 - 13 |
| 93003-06000 | 5 - 20 | G319-000060 | 2 - 63 | M704-000200 | 2 - 47 |
| A045-000510 | 4 - 15 | G334-000840 | 4 - 16 | M704-000780 | 2 - 48 |
| A171-000080 | 3 - 18 | G350-000230 | 4 - 9 | M704-001400 | 2 - 46 |
| A172-001921 | 2 - 66 | G350-000260 | 4 - 8 | M704-001440 | 2 - 44 |

Index

| Patrs Number | Key No. | Patrs Number | Key No. | Patrs Number | Key No. |
|---------------------|----------------|---------------------|----------------|---------------------|----------------|
| M704-001460 | 2 - 49 | V540-000360 | 1 - 36 | | |
| P021-037080 | 2 - 27 | V592-000190 | 3 - 15 | | |
| P021-037080 | 2 - 29 | V623-000080 | 2 - 39 | | |
| P021-037080 | 2 - 42 | X504-005210 | 2 - 60 | | |
| V104-001740 | 1 - 22 | X504-005220 | 2 - 61 | | |
| V107-000140 | 1 - 34 | X504-006550 | 2 - 67 | | |
| V144-000450 | 2 - 30 | X505-004880 | 2 - 50 | | |
| V145-000370 | 1 - 67 | X505-004900 | 2 - 52 | | |
| V145-000510 | 1 - 35 | X505-004910 | 2 - 53 | | |
| V150-002630 | 5 - 33 | X505-004930 | 2 - 51 | | |
| V150-002640 | 5 - 36 | X505-004940 | 2 - 55 | | |
| V150-002650 | 5 - 44 | X505-004950 | 2 - 54 | | |
| V150-002680 | 5 - 45 | X505-004960 | 2 - 56 | | |
| V204-001090 | 1 - 8 | X511-000130 | 2 - 45 | | |
| V204-001090 | 2 - 9 | X524-003140 | 2 - 57 | | |
| V204-001090 | 3 - 27 | X524-003150 | 2 - 58 | | |
| V204-001090 | 5 - 38 | X524-003160 | 2 - 59 | | |
| V206-000320 | 3 - 2 | X532-002890 | 4 - 2 | | |
| V206-000480 | 1 - 17 | X543-001880 | 2 - 43 | | |
| V206-000480 | 3 - 17 | X668-000130 | 3 - 12 | | |
| V240-000210 | 5 - 11 | | | | |
| V264-000220 | 2 - 20 | | | | |
| V264-000220 | 4 - 33 | | | | |
| V264-000220 | 5 - 17 | | | | |
| V265-000290 | 1 - 23 | | | | |
| V265-000290 | 3 - 9 | | | | |
| V265-000340 | 4 - 38 | | | | |
| V266-000130 | 2 - 7 | | | | |
| V375-000480 | 2 - 17 | | | | |
| V375-000490 | 4 - 30 | | | | |
| V375-000500 | 4 - 37 | | | | |
| V376-001460 | 5 - 30 | | | | |
| V418-000040 | 1 - 9 | | | | |
| V420-003130 | 2 - 6 | | | | |
| V420-003160 | 2 - 16 | | | | |
| V420-003170 | 2 - 21 | | | | |
| V450-001280 | 2 - 38 | | | | |
| V450-001290 | 4 - 35 | | | | |
| V476-000180 | 1 - 43 | | | | |
| V476-000190 | 1 - 42 | | | | |
| V476-000200 | 1 - 12 | | | | |
| V476-000210 | 1 - 47 | | | | |
| V476-000230 | 3 - 21 | | | | |
| V476-000240 | 3 - 22 | | | | |
| V476-000250 | 3 - 23 | | | | |
| V481-000270 | 5 - 6 | | | | |
| V486-000300 | 4 - 24 | | | | |
| V489-000120 | 1 - 32 | | | | |
| V495-002080 | 1 - 28 | | | | |

YAMABIKO CORPORATION

7-2 SUEHIROCHO 1-CHOME, OHME, TOKYO 198-8760, JAPAN
PHONE: 81-428-32-6118. FAX: 81-428-32-6145.

shindaiwa[®]

11Eb
No. 03-114