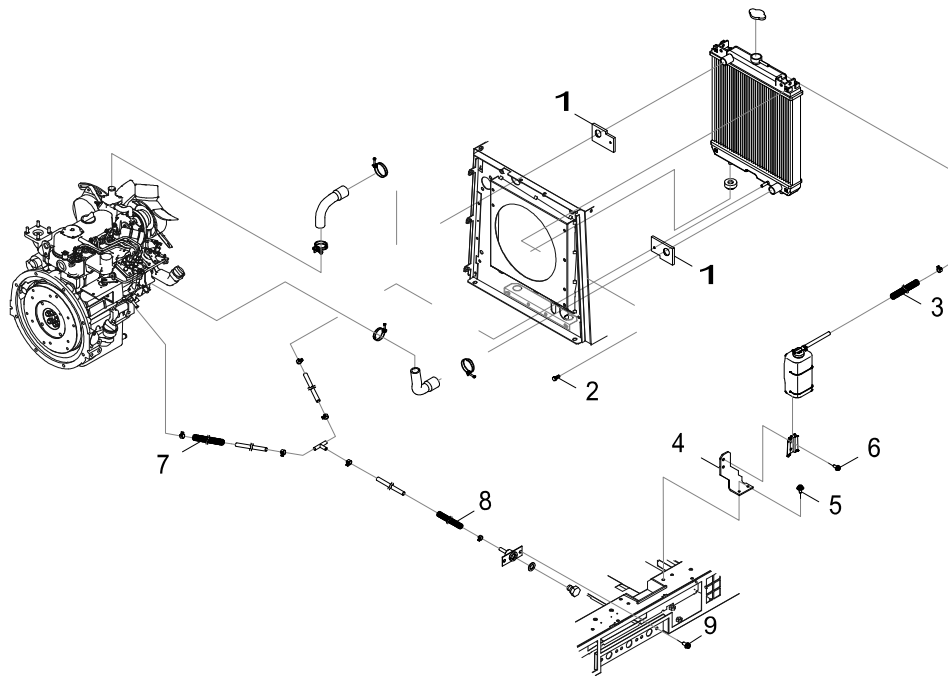


**shindaiwa<sup>®</sup>**

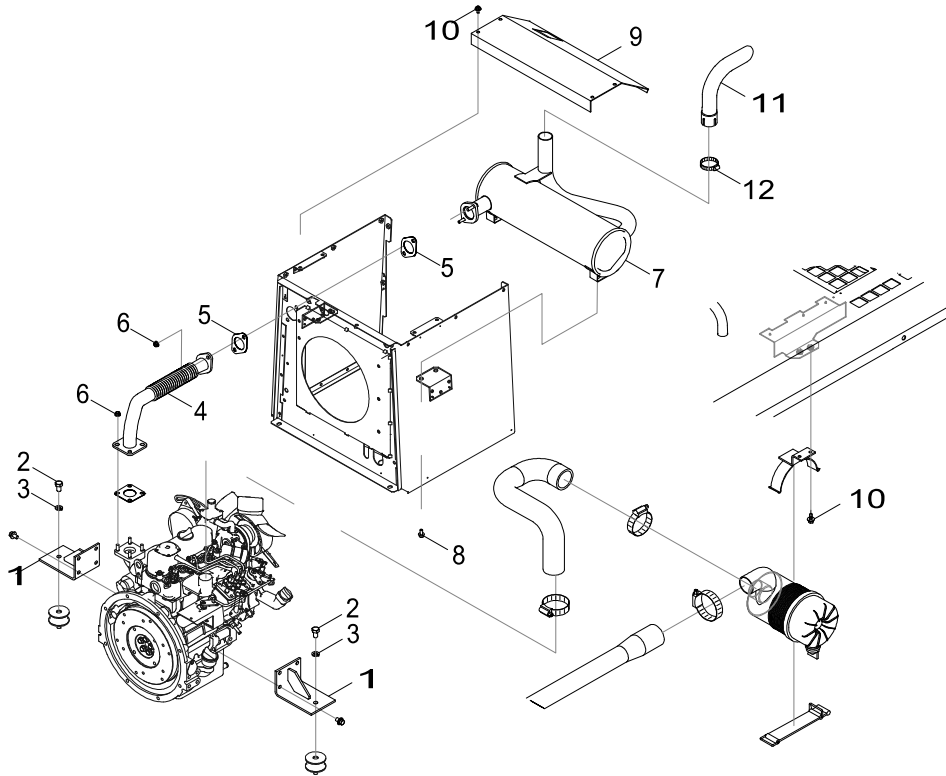
**PARTS CATALOGUE**

**DGW300MS/ANZ**

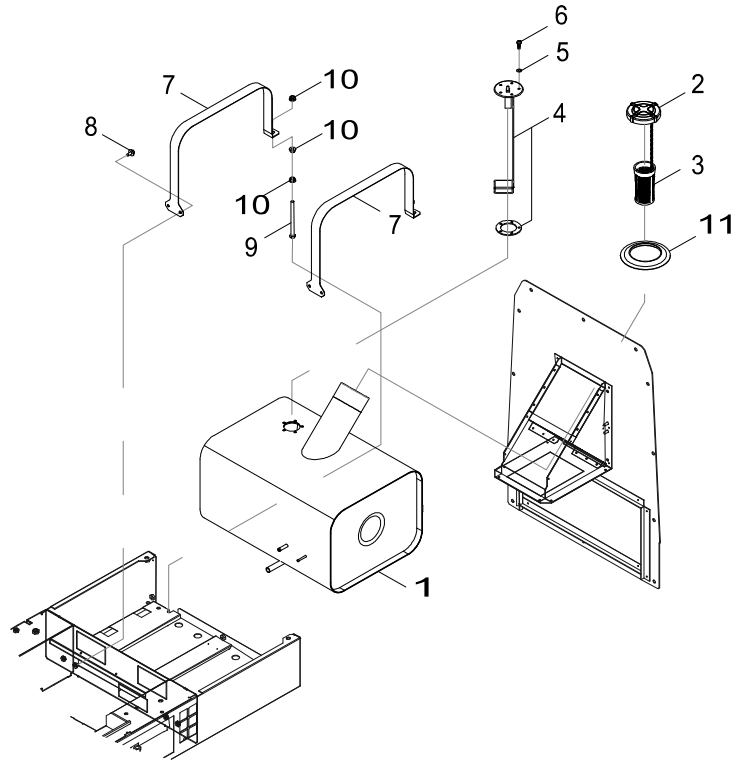
P016-000730-11Nb



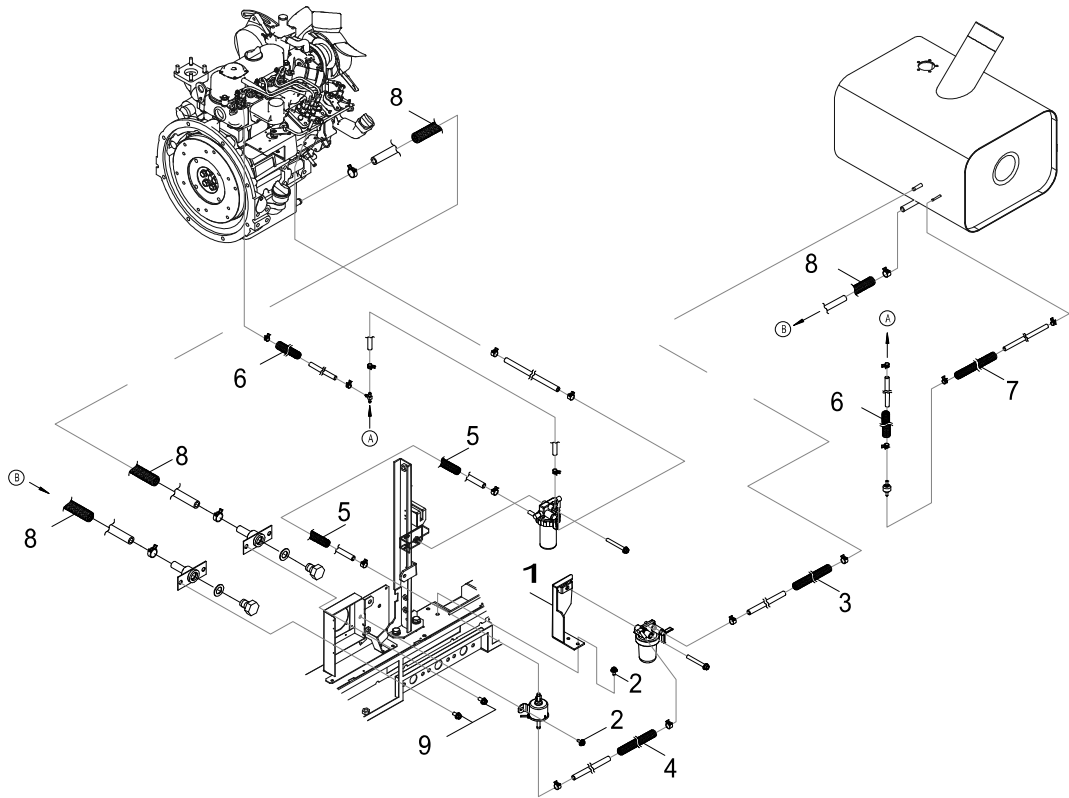
KEY	LV	PART NUMBE	Q'TY	DESCRIPTION	REMARKS
1		V418-000040	2	SPONGE	
2		91036-06020	2	BOLT SW	
3		V476-000180	1	TUBE	
4		C519-004930	1	STAY	
5		V204-001090	2	BOLT FT SW	
6		V204-000960	2	FRANGE BOLT	
7		V475-006290	1	TUBE	
8		V476-000520	1	TUBE	
9		V205-000810	2	FLANGE BOLT	



KEY	LV	PART NUMBE	Q'TY	DESCRIPTION	REMARKS
1		G121-000280	2	STAY,ENGINE	
2		91000-12022	2	BOLT	
3		900605-00012	2	WASHER, SPRING 12	
4		G231-000540	1	FLEXIBLE TUBE	
5		V104-001740	2	GASKET	
6		V265-000290	6	FLANGE NUT	
7		A300-001670	1	MUFFLER, EXHAUST	
8		V205-000810	4	FLANGE BOLT	
9		G233-000410	1	COVER,MUFFLER	
10		V204-001090	6	BOLT FT SW	
11		G234-000060	1	TAIL PIPE	
12		V495-002100	1	CLAMP	

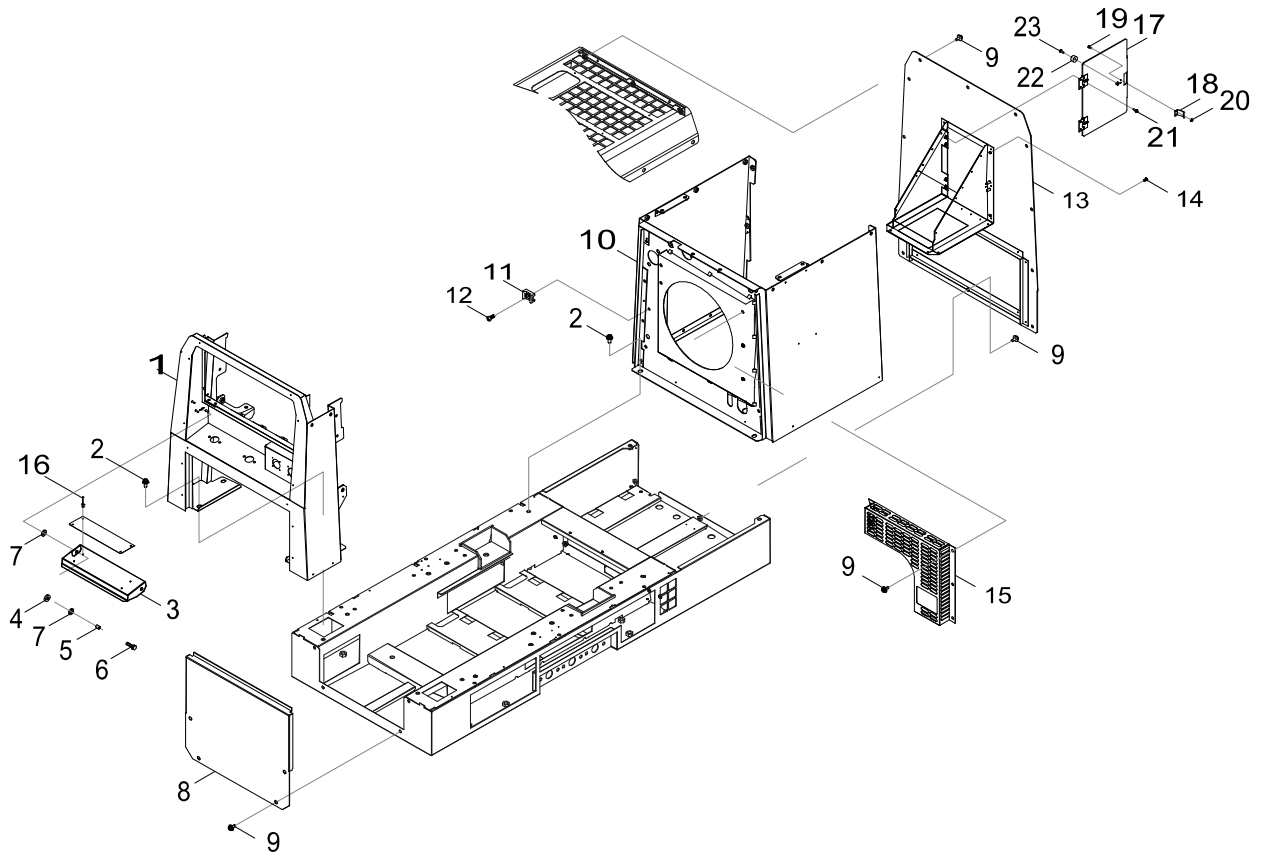


KEY	LV	PART NUMBE	Q'TY	DESCRIPTION	REMARKS
1		G250-000891	1	TANK,FUEL	
2		E111-000110	1	TANK CAP	
3		K329-000040	1	STRAINER	
4		E325-000100	1	FUEL GUAGE	
5		V500-000020	5	SEAL WASHER	
6		91463-05012	5	SCREW TRUSS	
7		E121-000050	2	BAND,TANK	
8		V204-001090	4	BOLT FT SW	
9		V205-000630	2	BOLT	
10		V265-000290	6	FLANGE NUT	
11		V145-000320	1	TANK BUSH	

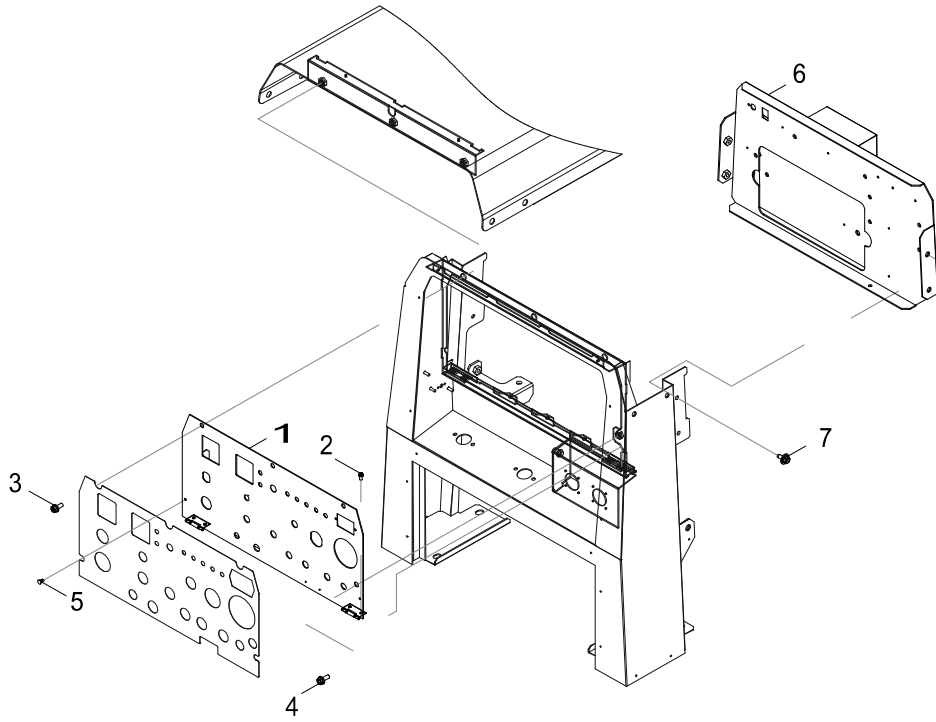




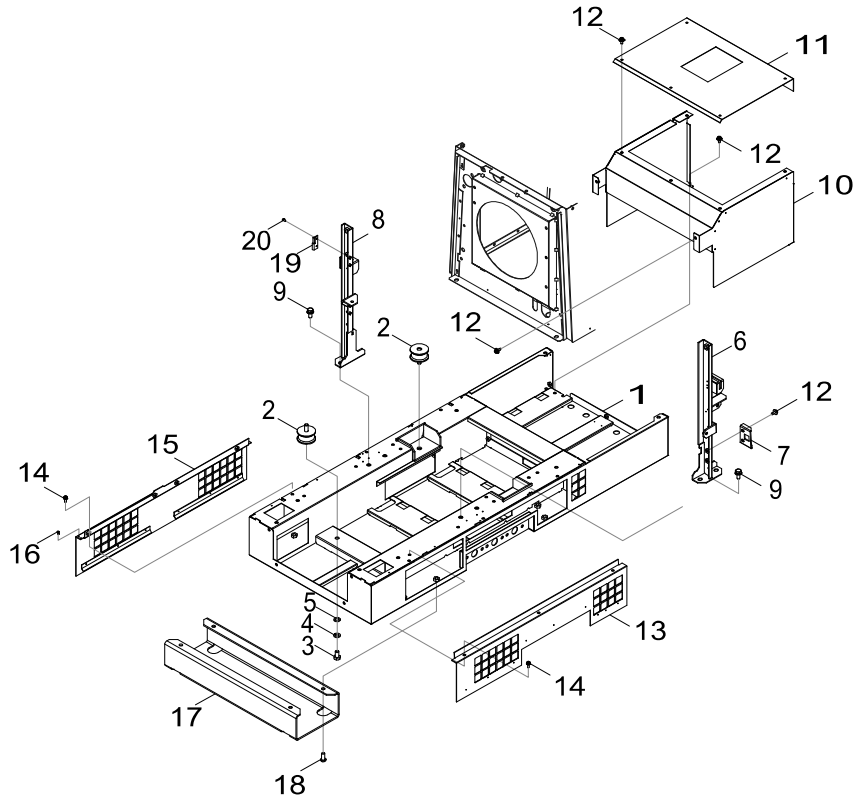
KEY	LV	PART NUMBE	Q'TY	DESCRIPTION	REMARKS
1		C519-004920	1	STAY	
2		V204-001090	4	BOLT FT SW	
3		V476-000190	1	TUBE	
4		V476-000520	1	TUBE	
5		V476-000270	1	TUBE	
6		V475-006320	2	TUBE	
7		V475-007350	1	TUBE	
8		V476-000280	2	TUBE	
9		V205-000810	4	FLANGE BOLT	



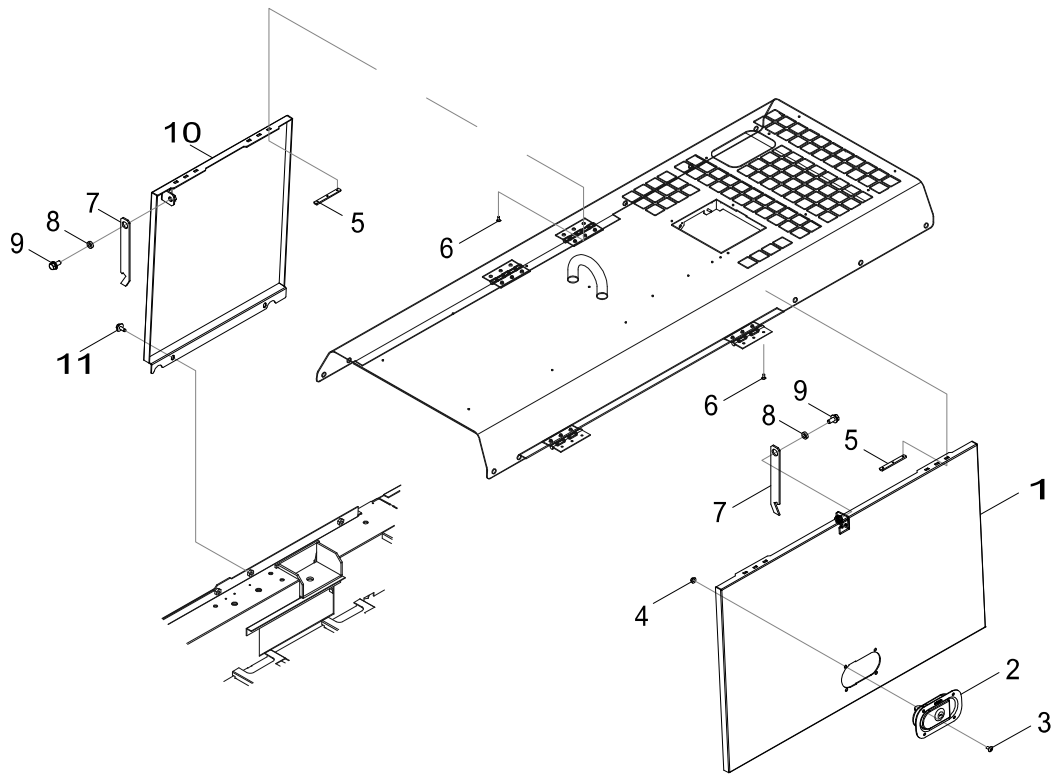
KEY	LV	PART NUMBE	Q'TY	DESCRIPTION	REMARKS
1		J492-001092	1	BONNET	
2		V205-000810	8	FLANGE BOLT	
3		M470-001201	1	COVER	
4		V420-003160	1	BUSH RUBBER	
5		V375-000480	1	COLLAR	
6		91036-06020	1	BOLT SW	
7		900602-00008	2	WASHER 8	
8		M465-000691	1	PANEL	
9		V204-001090	21	BOLT FT SW	
10		J492-001102	1	BONNET	
11		M416-000020	1	TIE MOUNT	
12		91343-05012	1	SCREW	
13		M465-000711	1	PANEL	
14		V490-001150	2	CLIP	
15		J447-000710	1	GUARD	
16		V649-000130	4	BLIND RIVET	
17		A354-000021	1	LID,FUEL TANK	
18		C390-000010	1	TONGUE	
19		91564-03010	2	SCREW SPW	
20		V261-000010	2	FLANGE NUT	
21		91564-04012	4	SCREW SW	
22		V420-003180	1	STAND RUBBER	
23		900283-04012	1	SCREW	



KEY	LV	PART NUMBE	Q'TY	DESCRIPTION	REMARKS
1		C160-000732	1	PANEL,OPERATION	
2		91564-04010	4	SCREW SPW	
3		91036-06016	3	BOLT SW	
4		91087-06016	1	FLANGE BOLT	
5		V490-001150	2	CLIP	
6		M465-000701	1	PANEL	
7		V204-001090	4	BOLT FT SW	

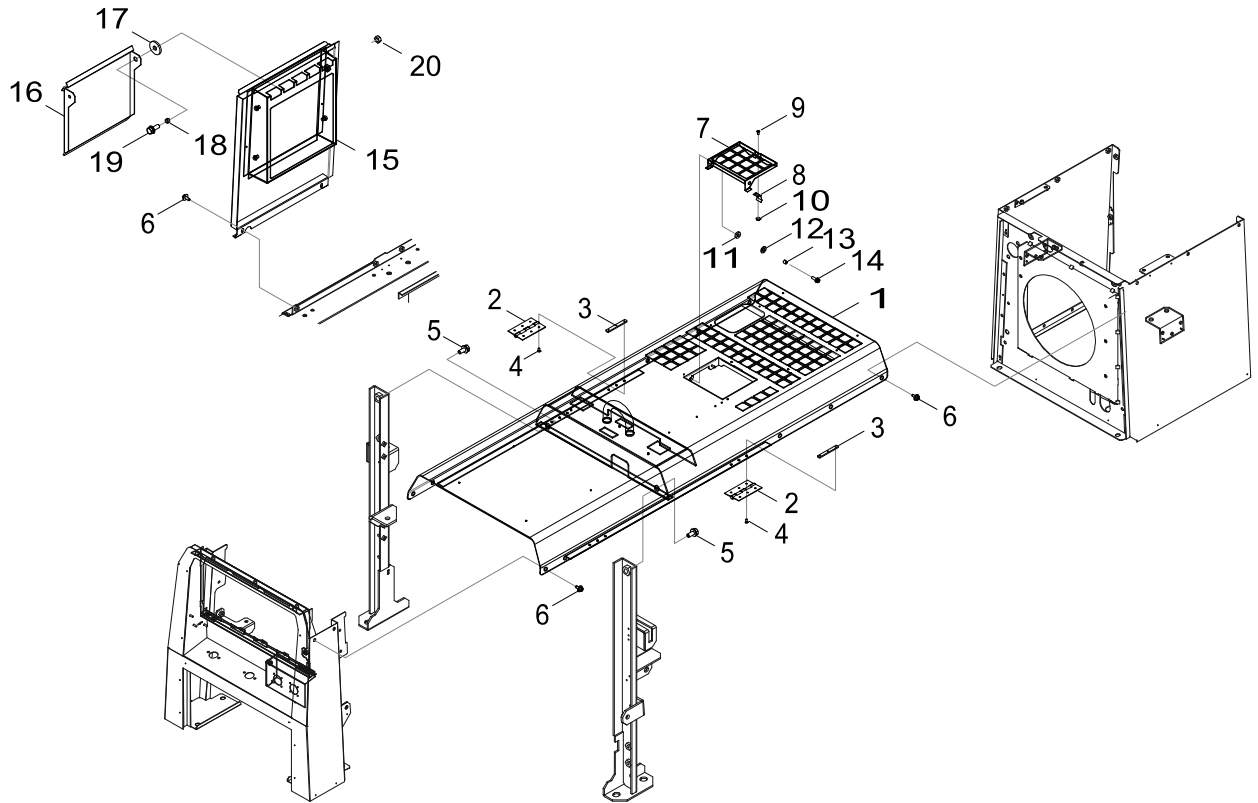


KEY	LV	PART NUMBE	Q'TY	DESCRIPTION	REMARKS
1		J405-002461	1	FRAME	
2		V420-003140	4	AV RUBBER	
3		91000-12022	2	BOLT	
4		900605-00012	2	WASHER, SPRING 12	
5		900617-00012	2	WASHER 12	
6		J415-000512	1	STAY,BONNET	
7		V152-003170	1	PLATE,ANGLE	
8		J415-000521	1	STAY,BONNET	
9		900147-10025	4	BOLT	
10		M470-001171	1	COVER	
11		M470-001190	1	COVER	
12		V204-001090	11	BOLT FT SW	
13		C603-000740	1	PLATE, SIDE	
14		91036-06016	6	BOLT SW	
15		C603-000750	1	PLATE, SIDE	
16		V490-001150	4	CLIP	
17		C619-000260	2	BASE,FRAME	
18		91142-10025	8	SCREW BUTTON	
19		J485-000310	2	HINGE	
20		900212-04010	4	SCREW 4*10	

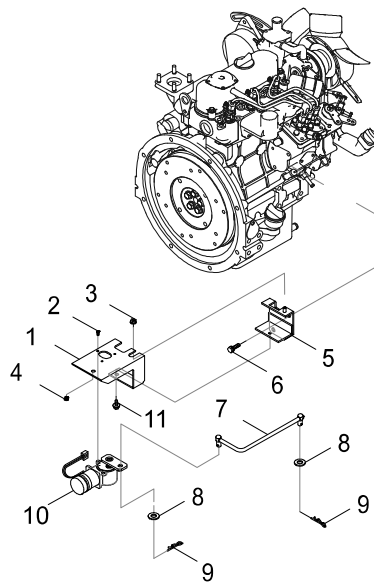




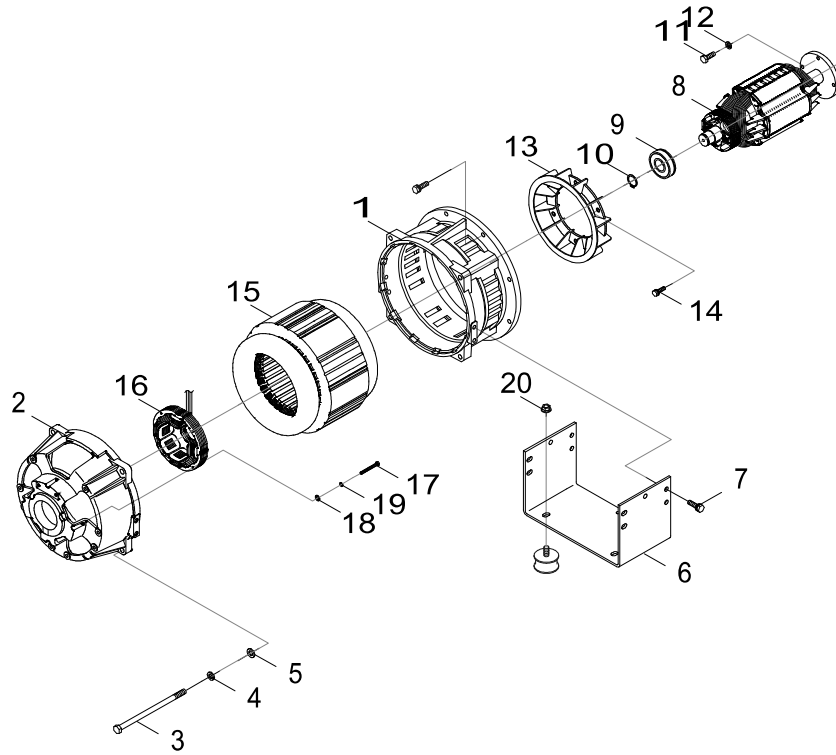
KEY	LV	PART NUMBE	Q'TY	DESCRIPTION	REMARKS
1		M406-001200	1	DOOR,RIGHT	
2		C701-000400	1	LOCK COVER	
3		900209-05010	4	SCREW, 5*10	
4		V263-000330	4	FLANGE NUT	
5		V150-002620	4	TAPPING PLATE	
6		900212-04010	12	SCREW 4*10	
7		G257-000560	2	STOPPER	
8		V375-000460	2	COLLAR	
9		900147-08020	2	BOLT 8*20	
10		M404-000860	1	DOOR,LEFT	
11		V204-001090	2	BOLT FT SW	



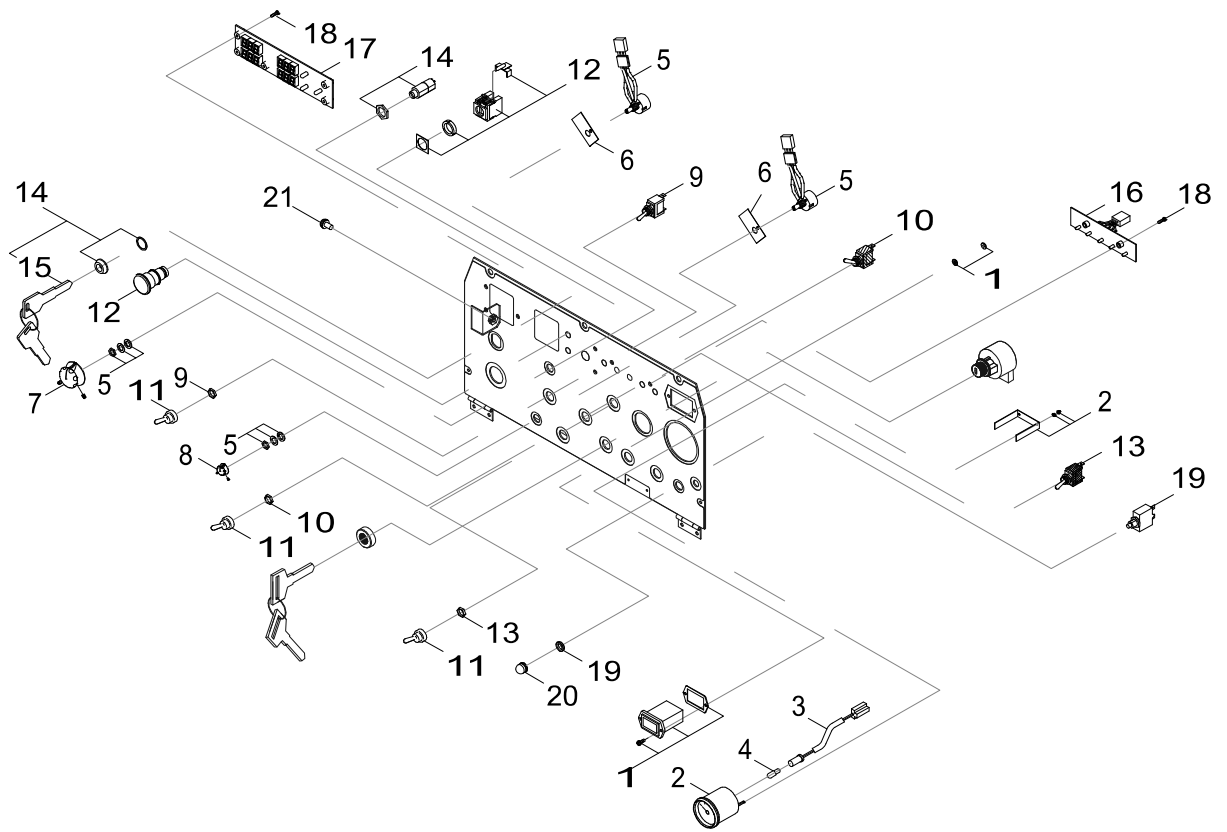
KEY	LV	PART NUMBE	Q'TY	DESCRIPTION	REMARKS
1		J492-001112	1	BONNET	
2		J485-000560	4	HINGE	
3		V150-002620	4	TAPPING PLATE	
4		900212-04010	12	SCREW 4*10	
5		900147-10025	2	BOLT	
6		V204-001090	14	BOLT FT SW	
7		J480-000791	1	LID,COVER	
8		C390-000010	1	TONGUE	
9		91308-03012	2	SCREW	
10		V261-000010	2	FLANGE NUT	
11		V420-003160	2	BUSH RUBBER	
12		900602-00008	2	WASHER 8	
13		91036-06020	2	BOLT SW	
14		V375-000480	2	COLLAR	
15		M465-000721	1	PANEL	
16		M470-001180	1	COVER	
17		V420-003080	1	BUSH RUBBER	
18		V375-000410	1	COLLAR	
19		91024-10030	1	BOLT	
20		900500-00010	1	NUT 10	



KEY	LV	PART NUMBE	Q'TY	DESCRIPTION	REMARKS
1		C519-003780	1	STAY	
2		91564-03016	3	SCREW SW	
3		V264-000220	1	FLANGE NUT	
4		M416-000030	1	BAND STOPPER	
5		C519-003790	1	STAY	
6		91022-08016	2	BOLT	
7		C454-000330	1	ROD	
8		900602-00006	2	WASHER 6	
9		93003-06000	2	SNAP PIN	
10		G280-000180	1	MOTOR COMP	
11		V204-001090	3	BOLT FT SW	

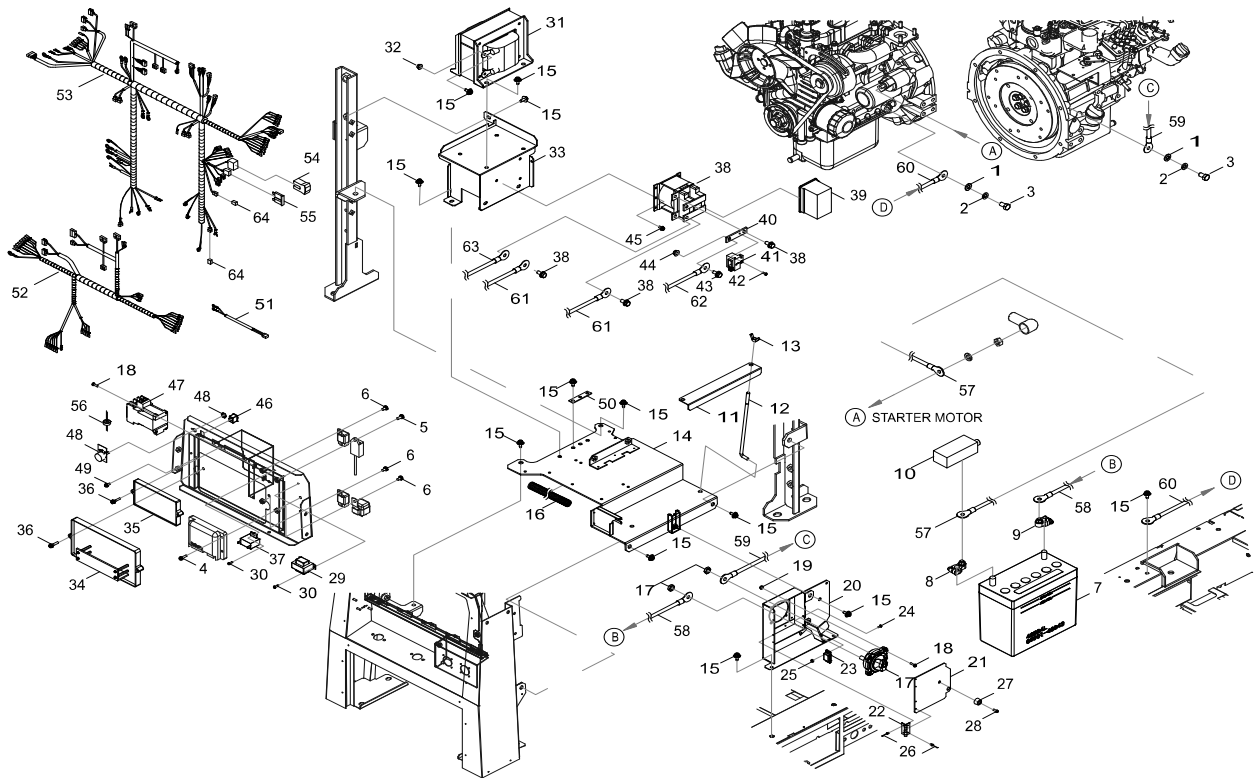


KEY	LV	PART NUMBE	Q'TY	DESCRIPTION	REMARKS
1		M305-000080	1	FRONT BRACKET	
2		M305-000090	1	REAR BRACKET	
3		V207-000110	4	BOLT	
4		900605-00012	4	WASHER, SPRING 12	
5		900617-00012	4	WASHER 12	
6		C519-002890	1	GENERATOR STAY	
7		91024-10030	8	BOLT	
8		M102-000580	1	ROTOR	
9		V592-000200	1	BEARING	
10		92423-34000	1	SNAP RING	
11		91014-10030	4	BOLT	
12		900605-00010	4	WASHER, SPRING 10	
13		A171-000090	1	FAN	
14		900147-08025	6	BOLT, 8*25	
15		M106-001151	1	STATOR	
16		M106-001070	1	STATOR	
17		900100-05045	4	BOLT 5*45	
18		900602-00005	4	WASHER 5	
19		900605-00005	4	WASHER, SPRING 5	
20		V268-000060	2	FLANGE NUT	



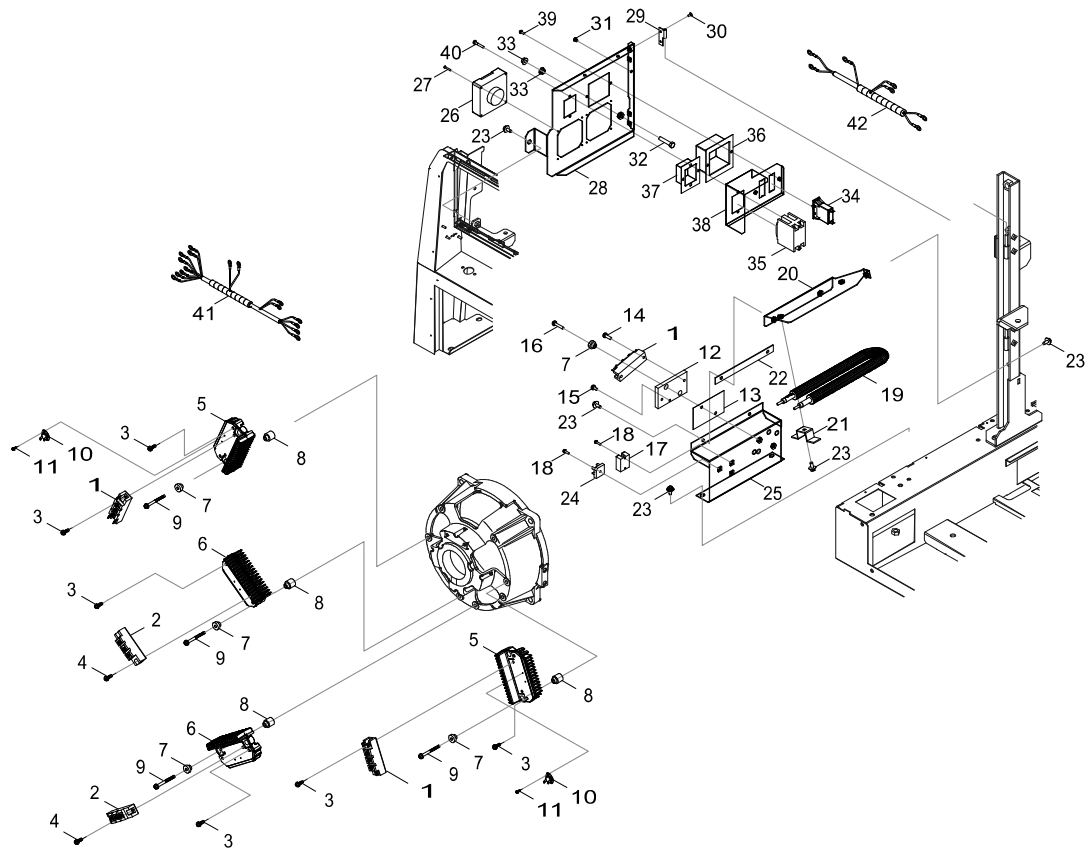


KEY	LV	PART NUMBE	Q'TY	DESCRIPTION	REMARKS
1		G319-000060	1	HOUR METER	
2		G318-000010	1	FUEL METER	
3		G327-000340	1	LAMP ASSY	
4	+	G327-000330	1	PILOT LAMP	
5		M112-000030	2	VOLUME COMP	
6		M702-000050	3	INS PAPER	
7		E145-000070	1	DIAL	
8		E145-000080	1	DIAL	
9		A045-000510	5	TOGGLE SWITCH	
10		A440-001730	1	TOGGLE SWITCH	
11		V494-000460	7	CAP	
12		G334-001210	1	SWITCH	
13		G334-001110	1	SWITCH	
14		G334-000880	1	SWITCH	
15	+	G317-000010	1	KEY	
16		C124-000060	1	PRINT CIRCUIT	
17		C124-000190	1	MODULE, CIRCUIT	
18		91461-04014	7	SCREW	
19		C137-000410	1	PROTECTOR,CIRCUIT	
20		V494-000430	1	CAP	
21		91564-05010	1	SCREW SPW	

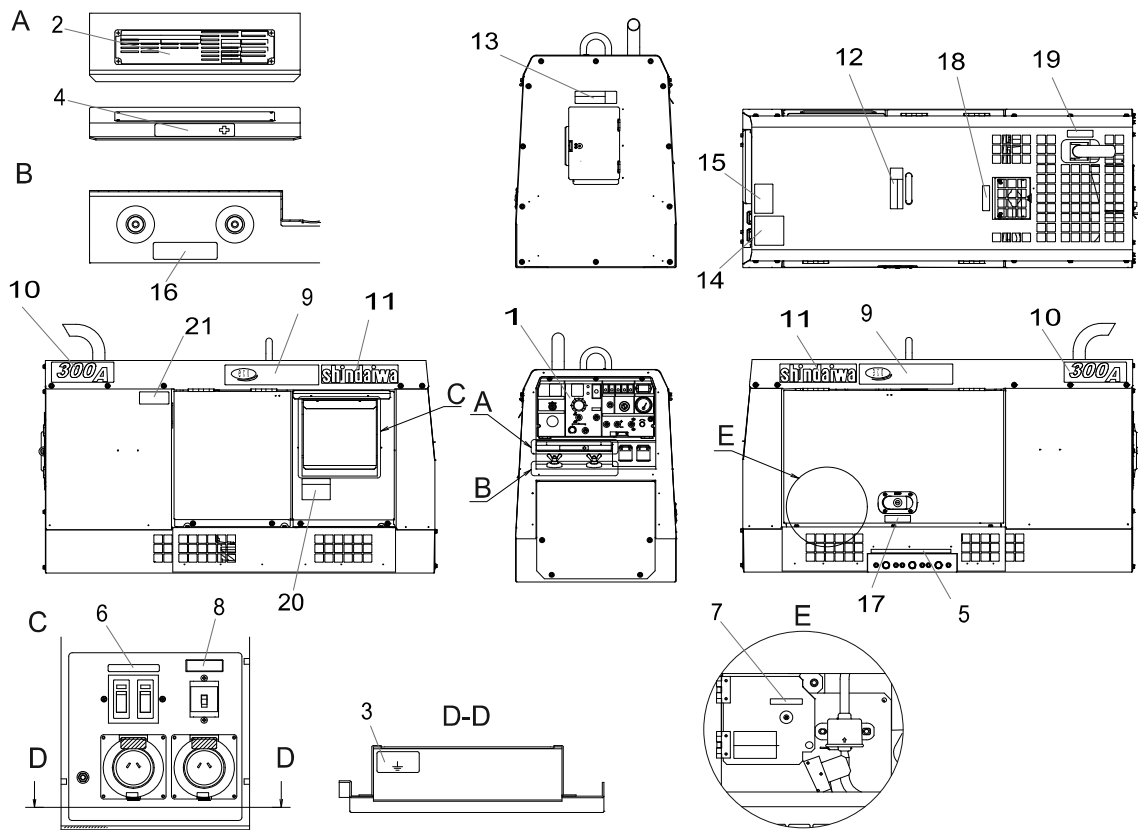


KEY	LV	PART NUMBER	Q'TY	DESCRIPTION	REMARKS
1		900605-00010	2	WASHER, SPRING 10	
2		900617-00010	2	WASHER 10	
3		91010-10016	2	BOLT	
4		91564-05020	4	SCREW SW	
5		91564-06016	1	SCREW SW	
6		91564-06012	3	SCREW SW	
7		V481-000170	1	BATTERY 46B24L	
8		G304-000020	1	TERMINAL +	
9		G304-000030	1	TERMINAL -	

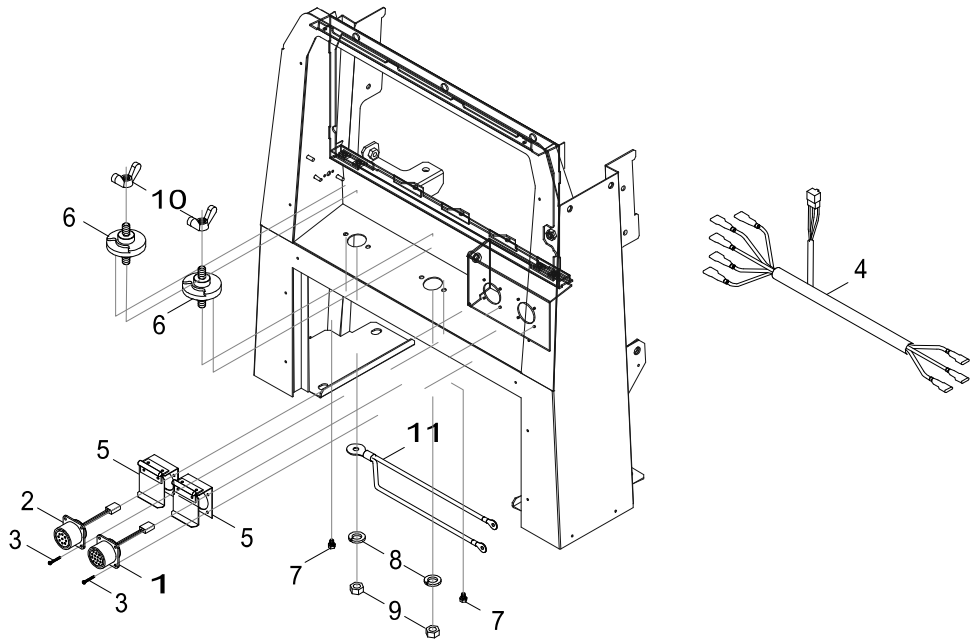
KEY	LV	PART NUMBE	Q'TY	DESCRIPTION	REMARKS
10		G305-000050	1	TERMINAL CAP	
11		G303-000290	1	HOLDER,BATTERY	
12		V240-000150	2	BOLT BATTERY	
13		92190-08000	2	WING NUT	
14		C123-000091	1	CASE,BATTERY	
15		V204-001090	23	BOLT FT SW	
16		V476-000320	1	TUBE	
17		G334-001320	1	SWITCH	
18		91564-04016	6	SCREW SPW	
19		V262-000190	4	FLANGE NUT	
20		C519-004942	1	STAY	
21		A473-000061	1	LID,SWITCH CASE	
22		J485-000570	2	HINGE	
23		X672-000020	1	MAGNET	
24		91564-03010	2	SCREW SPW	
25		V261-000010	2	FLANGE NUT	
26		V649-000130	8	BLIND RIVET	
27		V420-003180	1	STAND RUBBER	
28		900283-04012	1	SCREW	
29		C163-000040	1	TRANS	
30		91397-04012	3	SCREW TAPPING	
31		M116-000120	1	REACTOR	
32		V264-000220	2	FLANGE NUT	
33		J465-000451	1	STAND	
34		G370-001410	1	UNIT,CONTROL	
35		G370-001420	1	UNIT,CONTROL	
36		91036-05025	4	BOLT SW	
37		A403-000350	1	CONDENSER	
38		G334-000850	1	MAGNET SWITCH	
39		J139-000180	1	DUST COVER	
40		V150-002710	1	BUS BAR	
41		M108-000050	1	CT	
42		91461-04012	1	SCREW	
43		900147-08020	1	BOLT 8*20	
44		V265-000290	1	FLANGE NUT	
45		91037-05012	3	BOLT SPW	
46		A440-001811	1	SWITCH, ON OFF	
47		G334-000890	1	MAGNET SWITCH	
48		M112-000030	1	VOLUME COMP	
49		91564-05010	1	SCREW SPW	
50		V150-003140	1	PLATE,EYE	
51		G360-000750	1	WIRING HARNESS	
52		G362-000790	1	HARNESS,WIRE	
53		G362-000693	1	HARNESS,WIRE	
54		G350-000380	1	FUSE	
55		G350-000230	1	FUSE	
56		M108-000250	1	CT,ASM	
57		M380-000080	1	LEAD WIRE	
58		M381-000290	1	LEAD	
59		M381-000300	1	LEAD	
60		M383-000080	1	LEAD	
61		M381-000310	2	LEAD	
62		M381-000320	1	LEAD	
63		M381-000330	1	LEAD	



KEY	LV	PART NUMBE	Q'TY	DESCRIPTION	REMARKS
1		M101-000000	3	THYRISTOR	
2		M105-000010	2	RECTIFIER	
3		91564-06016	10	SCREW SW	
4		91564-05016	4	SCREW SW	
5		M615-000100	2	FIN	
6		M615-000110	2	FIN	
7		V376-001460	10	INS RING	
8		V376-001470	8	INS RING	
9		91564-06055	8	SCREW SW	
10		M100-000000	2	THERMOSTAT	
11		91564-03012	4	SCREW SW	
12		A471-000410	1	STACK PLATE	
13		C557-000220	1	SHEET	
14		91564-06020	2	SCREW SW	
15		91564-06012	1	SCREW SW	
16		91565-06030	2	SCREW SPW	
17		M105-000050	1	RECTIFIRE	
18		91564-04016	3	SCREW SPW	
19		M110-000410	1	RESISTER	
20		C519-004910	1	STAY	
21		V150-003230	2	PLATE,EYE	
22		A322-000120	1	HEAT INSURATOR	
23		V204-001090	6	BOLT FT SW	
24		M105-000000	1	RECTIFIER	
25		J430-000811	1	BOX,CONTROL	
26		C154-000940	2	RECEPTACLE	
27		91491-03025	8	SCREW TAPPING	
28		M465-000681	1	PANEL	
29		J485-000330	2	HINGE	
30		900212-04010	4	SCREW 4*10	
31		M416-000030	1	BAND STOPPER	
32		91034-08040	1	BOLT SW	
33		V265-000450	2	NUT,8	
34		C137-000140	2	CIRCUIT PROTECTOR	
35		M111-000920	1	BREAKER	
36		J139-000230	1	DUST COVER	
37		A127-000351	1	COVER,DUST	
38		J420-000170	1	PLATE,ELECTRIC	
39		91564-04012	2	SCREW SW	
40		91341-05030	2	SCREW SW	
41		G362-000680	1	HARNESS,WIRE	
42		G362-000701	1	HARNESS,WIRE	



KEY	LV	PART NUMBE	Q'TY	DESCRIPTION	REMARKS
1		X532-003270	1	LABEL,OPERATION	
2		X533-000720	1	LABEL,SPEC	
3		M704-001400	1	LABEL INST	
4		M704-001440	1	LABEL INST	
5		M704-001520	1	LABEL INST	
6		M704-001530	1	LABEL INST	
7		M704-001550	1	LABEL INST	
8		M704-002360	1	LABEL,INST	
9		M705-000311	2	LABEL,FEATURE	
10		M705-000550	2	LABEL,FEATURE	
11		X504-006550	2	LABEL,BRAND	
12		X505-004630	1	LABEL CAUTION	
13		X505-004880	1	LABEL CAUTION	
14		X505-004900	1	LABEL CAUTION	
15		X505-004910	1	LABEL CAUTION	
16		X505-004930	1	LABEL CAUTION	
17		X505-004940	1	LABEL CAUTION	
18		X505-004950	1	LABEL CAUTION	
19		X505-004960	1	LABEL CAUTION	
20		X505-004980	1	LABEL CAUTION	
21		X505-004990	1	LABEL CAUTION	





KEY	LV	PART NUMBE	Q'TY	DESCRIPTION	REMARKS
1		C154-000951	1	RECEPTACLE	
2		C154-000360	1	RECEPTACLE	
3		91491-03012	8	SCREW TAPPING	
4		G362-000712	1	HARNES, WIRE	
5		M470-000540	2	COVER	
6		M603-000000	2	TERMINAL REST	
7		91031-05008	4	BOLT SW	
8		92237-10000	2	SPRING WASHER	
9		900504-00010	2	NUT 10B	
10		92085-10000	2	WING NUT	
11		M381-000340	1	LEAD	

**Index**

<b>Patrs Number</b>	<b>Key No.</b>	<b>Patrs Number</b>	<b>Key No.</b>	<b>Patrs Number</b>	<b>Key No.</b>
900100-05045	11 - 17	91397-04012	13 - 30	C154-000951	16 - 1
900147-08020	13 - 43	91461-04012	13 - 42	C160-000732	6 - 1
900147-08020	8 - 9	91461-04014	12 - 18	C163-000040	13 - 29
900147-08025	11 - 14	91463-05012	3 - 6	C390-000010	5 - 18
900147-10025	7 - 9	91491-03012	16 - 3	C390-000010	9 - 8
900147-10025	9 - 5	91491-03025	14 - 27	C454-000330	10 - 7
900209-05010	8 - 3	91564-03010	13 - 24	C519-002890	11 - 6
900212-04010	14 - 30	91564-03010	5 - 19	C519-003780	10 - 1
900212-04010	7 - 20	91564-03012	14 - 11	C519-003790	10 - 5
900212-04010	8 - 6	91564-03016	10 - 2	C519-004910	14 - 20
900212-04010	9 - 4	91564-04010	6 - 2	C519-004920	4 - 1
900283-04012	13 - 28	91564-04012	14 - 39	C519-004930	1 - 4
900283-04012	5 - 23	91564-04012	5 - 21	C519-004942	13 - 20
900500-00010	9 - 20	91564-04016	13 - 18	C557-000220	14 - 13
900504-00010	16 - 9	91564-04016	14 - 18	C603-000740	7 - 13
900602-00005	11 - 18	91564-05010	12 - 21	C603-000750	7 - 15
900602-00006	10 - 8	91564-05010	13 - 49	C619-000260	7 - 17
900602-00008	5 - 7	91564-05016	14 - 4	C701-000400	8 - 2
900602-00008	9 - 12	91564-05020	13 - 4	E111-000110	3 - 2
900605-00005	11 - 19	91564-06012	13 - 6	E121-000050	3 - 7
900605-00010	11 - 12	91564-06012	14 - 15	E145-000070	12 - 7
900605-00010	13 - 1	91564-06016	13 - 5	E145-000080	12 - 8
900605-00012	11 - 4	91564-06016	14 - 3	E325-000100	3 - 4
900605-00012	2 - 3	91564-06020	14 - 14	G121-000280	2 - 1
900605-00012	7 - 4	91564-06055	14 - 9	G231-000540	2 - 4
900617-00010	13 - 2	91565-06030	14 - 16	G233-000410	2 - 9
900617-00012	11 - 5	92085-10000	16 - 10	G234-000060	2 - 11
900617-00012	7 - 5	92190-08000	13 - 13	G250-000891	3 - 1
91000-12022	2 - 2	92237-10000	16 - 8	G257-000560	8 - 7
91000-12022	7 - 3	92423-34000	11 - 10	G280-000180	10 - 10
91010-10016	13 - 3	93003-06000	10 - 9	G303-000290	13 - 11
91014-10030	11 - 11	A045-000510	12 - 9	G304-000020	13 - 8
91022-08016	10 - 6	A127-000351	14 - 37	G304-000030	13 - 9
91024-10030	11 - 7	A171-000090	11 - 13	G305-000050	13 - 10
91024-10030	9 - 19	A300-001670	2 - 7	G317-000010	12 - 15
91031-05008	16 - 7	A322-000120	14 - 22	G318-000010	12 - 2
91034-08040	14 - 32	A354-000021	5 - 17	G319-000060	12 - 1
91036-05025	13 - 36	A403-000350	13 - 37	G327-000330	12 - 4
91036-06016	6 - 3	A440-001730	12 - 10	G327-000340	12 - 3
91036-06016	7 - 14	A440-001811	13 - 46	G334-000850	13 - 38
91036-06020	1 - 2	A471-000410	14 - 12	G334-000880	12 - 14
91036-06020	5 - 6	A473-000061	13 - 21	G334-000890	13 - 47
91036-06020	9 - 13	C123-000091	13 - 14	G334-001110	12 - 13
91037-05012	13 - 45	C124-000060	12 - 16	G334-001210	12 - 12
91087-06016	6 - 4	C124-000190	12 - 17	G334-001320	13 - 17
91142-10025	7 - 18	C137-000140	14 - 34	G350-000230	13 - 55
91308-03012	9 - 9	C137-000410	12 - 19	G350-000380	13 - 54
91341-05030	14 - 40	C154-000360	16 - 2	G360-000750	13 - 51
91343-05012	5 - 12	C154-000940	14 - 26	G362-000680	14 - 41

**Index**

<b>Patrs Number</b>	<b>Key No.</b>	<b>Patrs Number</b>	<b>Key No.</b>	<b>Patrs Number</b>	<b>Key No.</b>
G362-000693	13 - 53	M404-000860	8 - 10	V205-000810	1 - 9
G362-000701	14 - 42	M406-001200	8 - 1	V205-000810	2 - 8
G362-000712	16 - 4	M416-000020	5 - 11	V205-000810	4 - 9
G362-000790	13 - 52	M416-000030	10 - 4	V205-000810	5 - 2
G370-001410	13 - 34	M416-000030	14 - 31	V207-000110	11 - 3
G370-001420	13 - 35	M465-000681	14 - 28	V240-000150	13 - 12
J139-000180	13 - 39	M465-000691	5 - 8	V261-000010	13 - 25
J139-000230	14 - 36	M465-000701	6 - 6	V261-000010	5 - 20
J405-002461	7 - 1	M465-000711	5 - 13	V261-000010	9 - 10
J415-000512	7 - 6	M465-000721	9 - 15	V262-000190	13 - 19
J415-000521	7 - 8	M470-000540	16 - 5	V263-000330	8 - 4
J420-000170	14 - 38	M470-001171	7 - 10	V264-000220	10 - 3
J430-000811	14 - 25	M470-001180	9 - 16	V264-000220	13 - 32
J447-000710	5 - 15	M470-001190	7 - 11	V265-000290	13 - 44
J465-000451	13 - 33	M470-001201	5 - 3	V265-000290	2 - 6
J480-000791	9 - 7	M603-000000	16 - 6	V265-000290	3 - 10
J485-000310	7 - 19	M615-000100	14 - 5	V265-000450	14 - 33
J485-000330	14 - 29	M615-000110	14 - 6	V268-000060	11 - 20
J485-000560	9 - 2	M702-000050	12 - 6	V375-000410	9 - 18
J485-000570	13 - 22	M704-001400	15 - 3	V375-000460	8 - 8
J492-001092	5 - 1	M704-001440	15 - 4	V375-000480	5 - 5
J492-001102	5 - 10	M704-001520	15 - 5	V375-000480	9 - 14
J492-001112	9 - 1	M704-001530	15 - 6	V376-001460	14 - 7
K329-000040	3 - 3	M704-001550	15 - 7	V376-001470	14 - 8
M100-000000	14 - 10	M704-002360	15 - 8	V418-000040	1 - 1
M101-000000	14 - 1	M705-000311	15 - 9	V420-003080	9 - 17
M102-000580	11 - 8	M705-000550	15 - 10	V420-003140	7 - 2
M105-000000	14 - 24	V104-001740	2 - 5	V420-003160	5 - 4
M105-000010	14 - 2	V145-000320	3 - 11	V420-003160	9 - 11
M105-000050	14 - 17	V150-002620	8 - 5	V420-003180	13 - 27
M106-001070	11 - 16	V150-002620	9 - 3	V420-003180	5 - 22
M106-001151	11 - 15	V150-002710	13 - 40	V475-006290	1 - 7
M108-000050	13 - 41	V150-003140	13 - 50	V475-006320	4 - 6
M108-000250	13 - 56	V150-003230	14 - 21	V475-007350	4 - 7
M110-000410	14 - 19	V152-003170	7 - 7	V476-000180	1 - 3
M111-000920	14 - 35	V204-000960	1 - 6	V476-000190	4 - 3
M112-000030	12 - 5	V204-001090	1 - 5	V476-000270	4 - 5
M112-000030	13 - 48	V204-001090	10 - 11	V476-000280	4 - 8
M116-000120	13 - 31	V204-001090	13 - 15	V476-000320	13 - 16
M305-000080	11 - 1	V204-001090	14 - 23	V476-000520	1 - 8
M305-000090	11 - 2	V204-001090	2 - 10	V476-000520	4 - 4
M380-000080	13 - 57	V204-001090	3 - 8	V481-000170	13 - 7
M381-000290	13 - 58	V204-001090	4 - 2	V490-001150	5 - 14
M381-000300	13 - 59	V204-001090	5 - 9	V490-001150	6 - 5
M381-000310	13 - 61	V204-001090	6 - 7	V490-001150	7 - 16
M381-000320	13 - 62	V204-001090	7 - 12	V494-000430	12 - 20
M381-000330	13 - 63	V204-001090	8 - 11	V494-000460	12 - 11
M381-000340	16 - 11	V204-001090	9 - 6	V495-002100	2 - 12
M383-000080	13 - 60	V205-000630	3 - 9	V500-000020	3 - 5

**Index**

<b>Patrs Number</b>	<b>Key No.</b>	<b>Patrs Number</b>	<b>Key No.</b>	<b>Patrs Number</b>	<b>Key No.</b>
V592-000200	11 - 9				
V649-000130	13 - 26				
V649-000130	5 - 16				
X504-006550	15 - 11				
X505-004630	15 - 12				
X505-004880	15 - 13				
X505-004900	15 - 14				
X505-004910	15 - 15				
X505-004930	15 - 16				
X505-004940	15 - 17				
X505-004950	15 - 18				
X505-004960	15 - 19				
X505-004980	15 - 20				
X505-004990	15 - 21				
X532-003270	15 - 1				
X533-000720	15 - 2				
X672-000020	13 - 23				

# **YAMABIKO CORPORATION**

7-2 SUEHIROCHO 1-CHOME, OHME, TOKYO 198-8760, JAPAN  
PHONE: 81-428-32-6118. FAX: 81-428-32-6145.

**shindaiwa<sup>®</sup>**

11Nb  
No. 04-067