

shindaiwa[®]

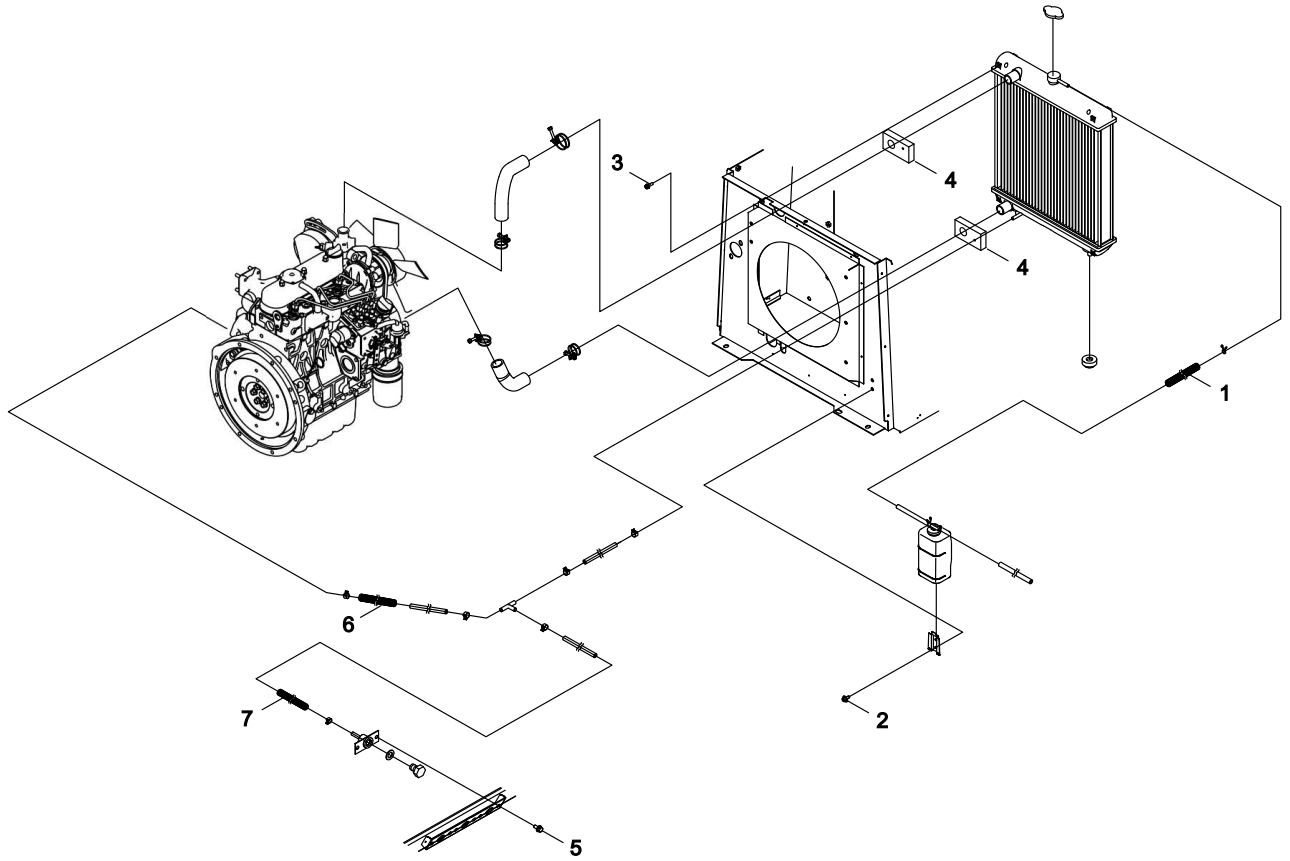
**PARTS CATALOGUE
DGW420DM/ANZ**

01000001 -

P016-001640-13Jb

1. RADIATOR RELATED PARTS

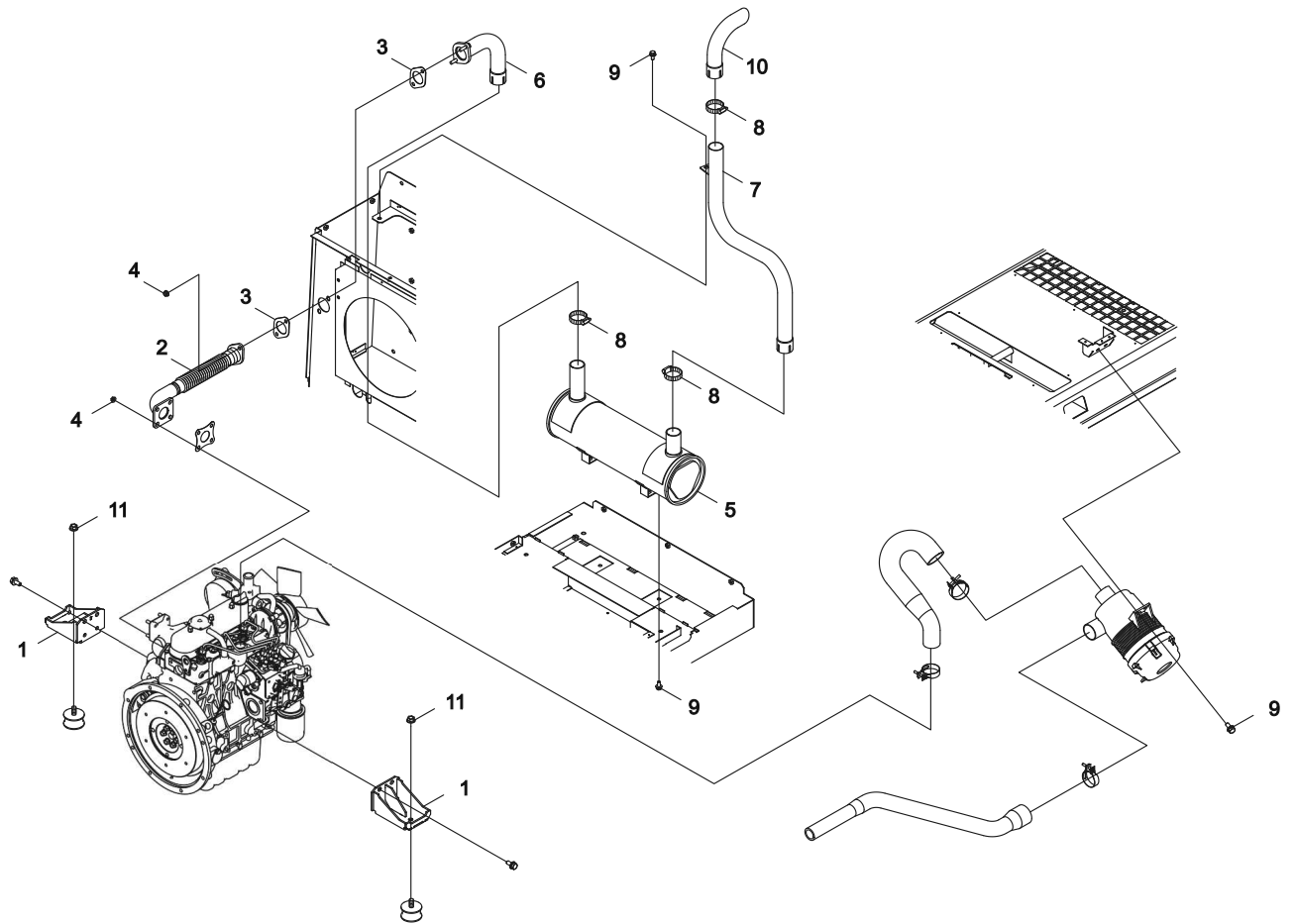
DGW420DM/ANZ



KEY	LV	PART NUMBER	Q'TY	DESCRIPTION	REMARKS	NOTE1	NOTE2
1		V476-000270	1	TUBE			
2		V204-001600	2	BOLT,6	M6*16		
3		91036-06020	2	BOLT SW			
4		V542-000010	2	SEAL			
5		V205-001120	2	BOLT,8	BM-8*20 W SW		
6		V476-000330	1	TUBE			
7		V475-006230	1	TUBE			

2. MUFFLER

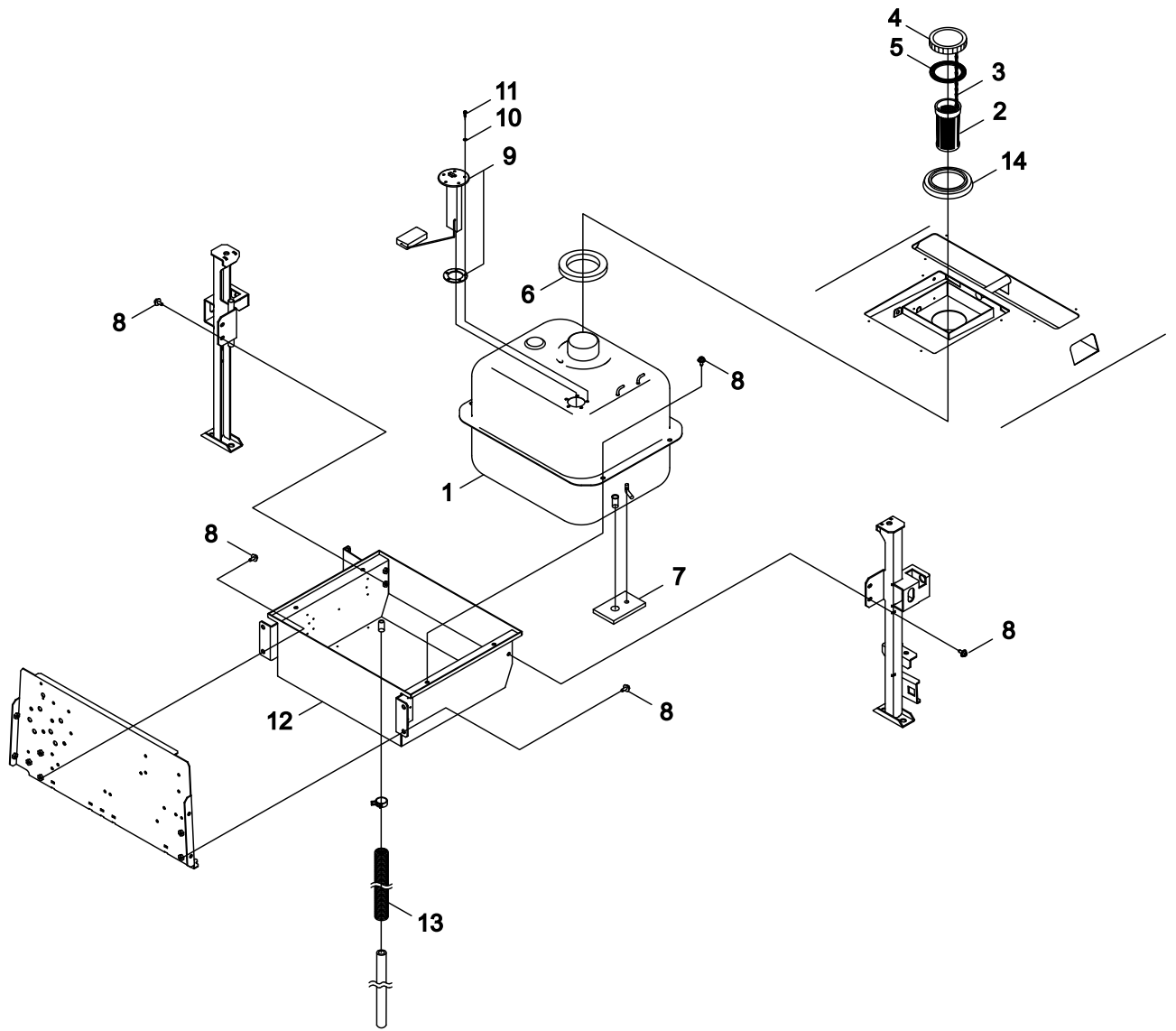
DGW420DM/ANZ



KEY	LV	PART NUMBER	Q'TY	DESCRIPTION	REMARKS	NOTE1	NOTE2
1		G121-000560	2	STAY,ENGINE			
2		G231-000980	1	PIPE,EXHAUST			
3		V104-001740	2	GASKET			
4		V265-000290	6	FLANGE NUT			
5		A300-001430	1	MUFFLER			
6		G231-000970	1	PIPE,EXHAUST			
7		G231-000560	1	EXHAUST PIPE			
8		V495-002100	3	CLAMP			
9		900147-08020	7	BOLT 8*20	8*20		
10		G234-000060	1	TAIL PIPE			
11		V268-000060	2	FLANGE NUT			

3. FUEL TANK

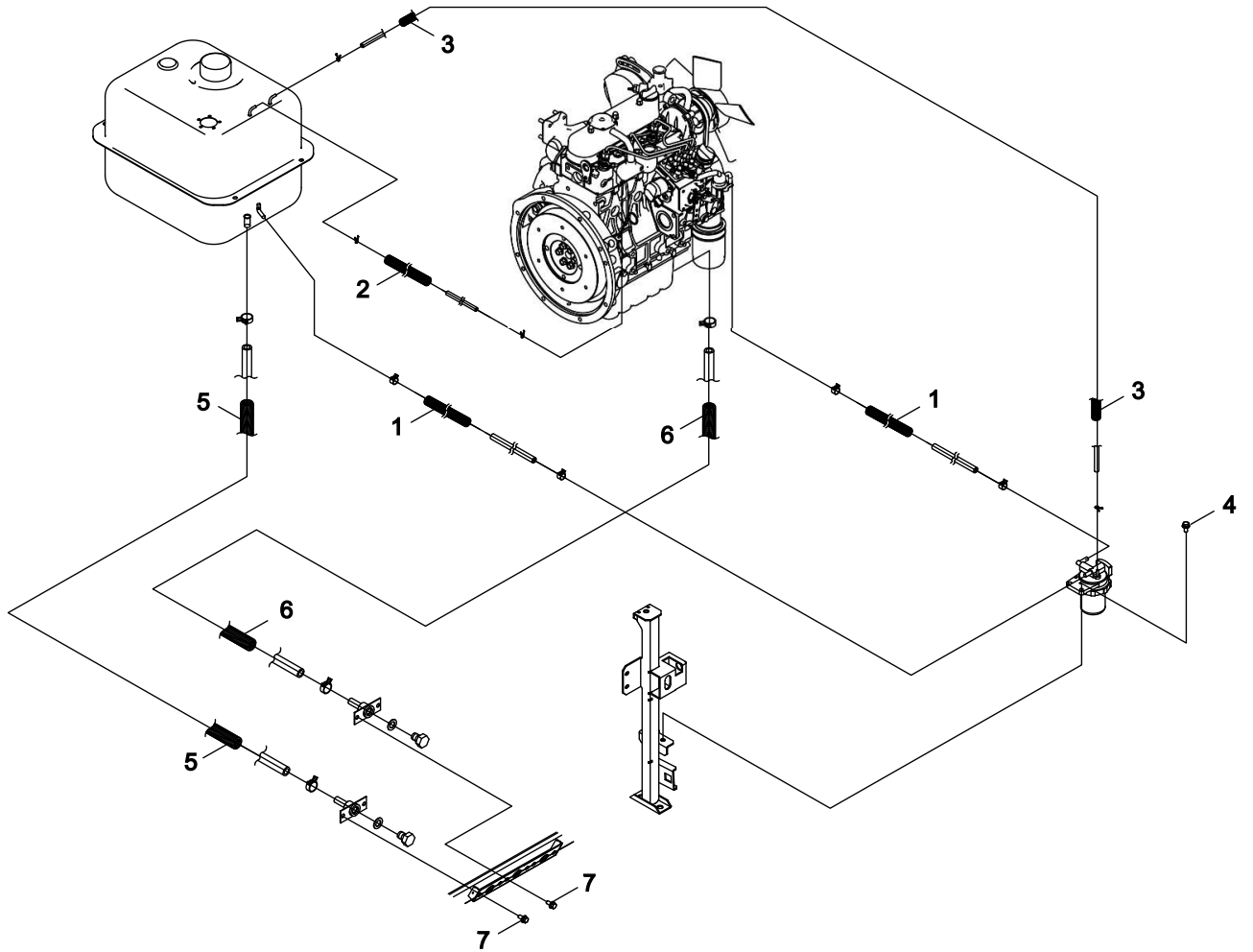
DGW420DM/ANZ



KEY	LV	PART NUMBER	Q'TY	DESCRIPTION	REMARKS	NOTE1	NOTE2
1		G250-000990	1	TANK,FUEL			
2	+	A369-000180	1	STRAINER			
3	+	V489-000120	1	CHAIN			
4	+	G255-000110	1	TANK CAP			
5	++	V107-000140	1	PACKING			
6		V540-000440	1	SEAL,CIRCULAR			
7		V542-000020	1	SEAL			
8		V204-001600	12	BOLT,6	M6*16		
9		E325-000040	1	FUEL GAUGE			
10		V500-000020	5	SEAL WASHER			
11		91463-05012	5	SCREW TRUSS			
12		G126-000480	1	BRACKET,TANK			
13		V475-007230	1	TUBE	22*L300		
14		V145-000510	1	TANK BUSH			

4. ENGINE RELATED PARTS

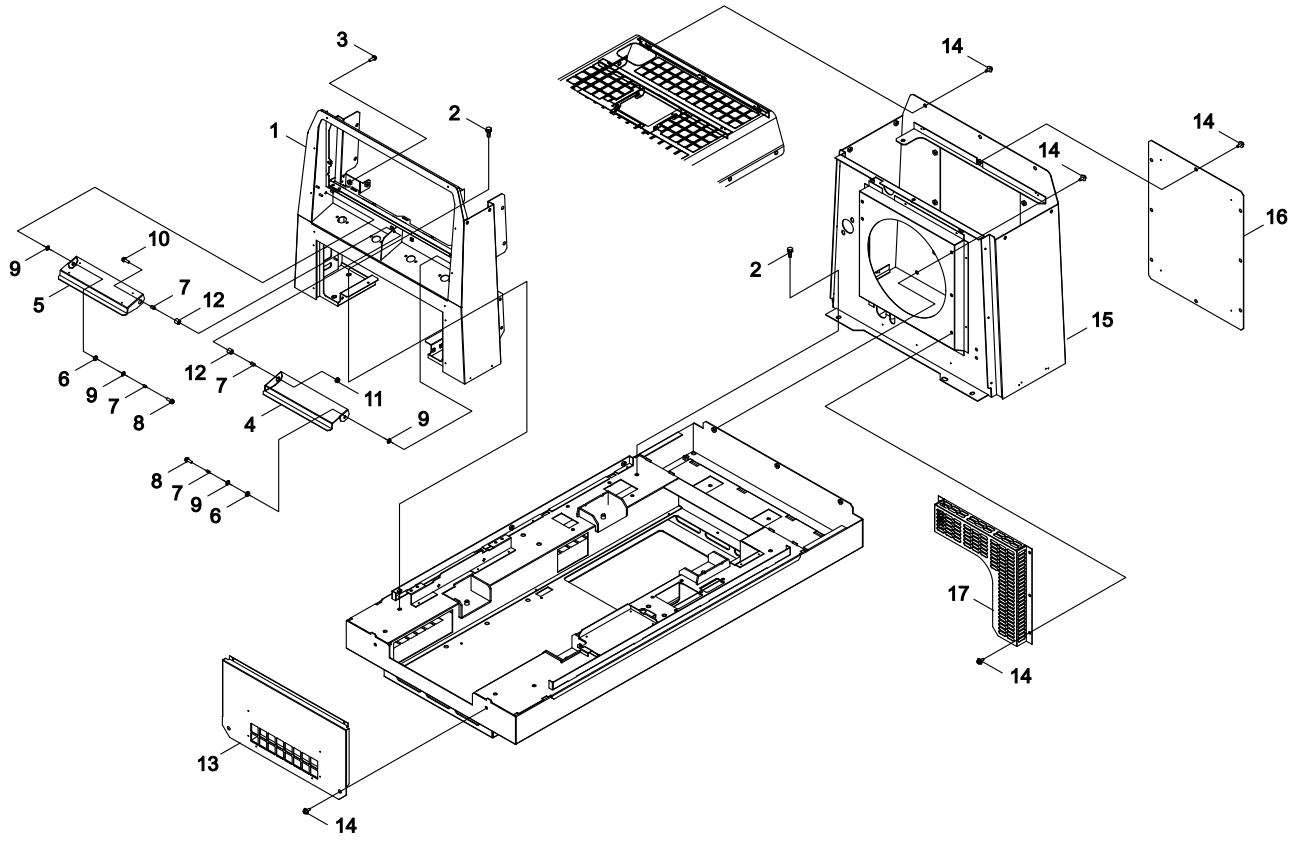
DGW420DM/ANZ



KEY	LV	PART NUMBER	Q'TY	DESCRIPTION	REMARKS	NOTE1	NOTE2
1		V475-006130	2	TUBE			
2		V476-000340	1	TUBE			
3		V475-006170	1	TUBE			
4		900147-08025	2	BOLT, 8*25	8*25		
5		V476-000280	1	TUBE			
6		V475-008030	1	TUBE			
7		V205-001120	4	BOLT,8	BM-8*20 W SW		

5. REAR COVER

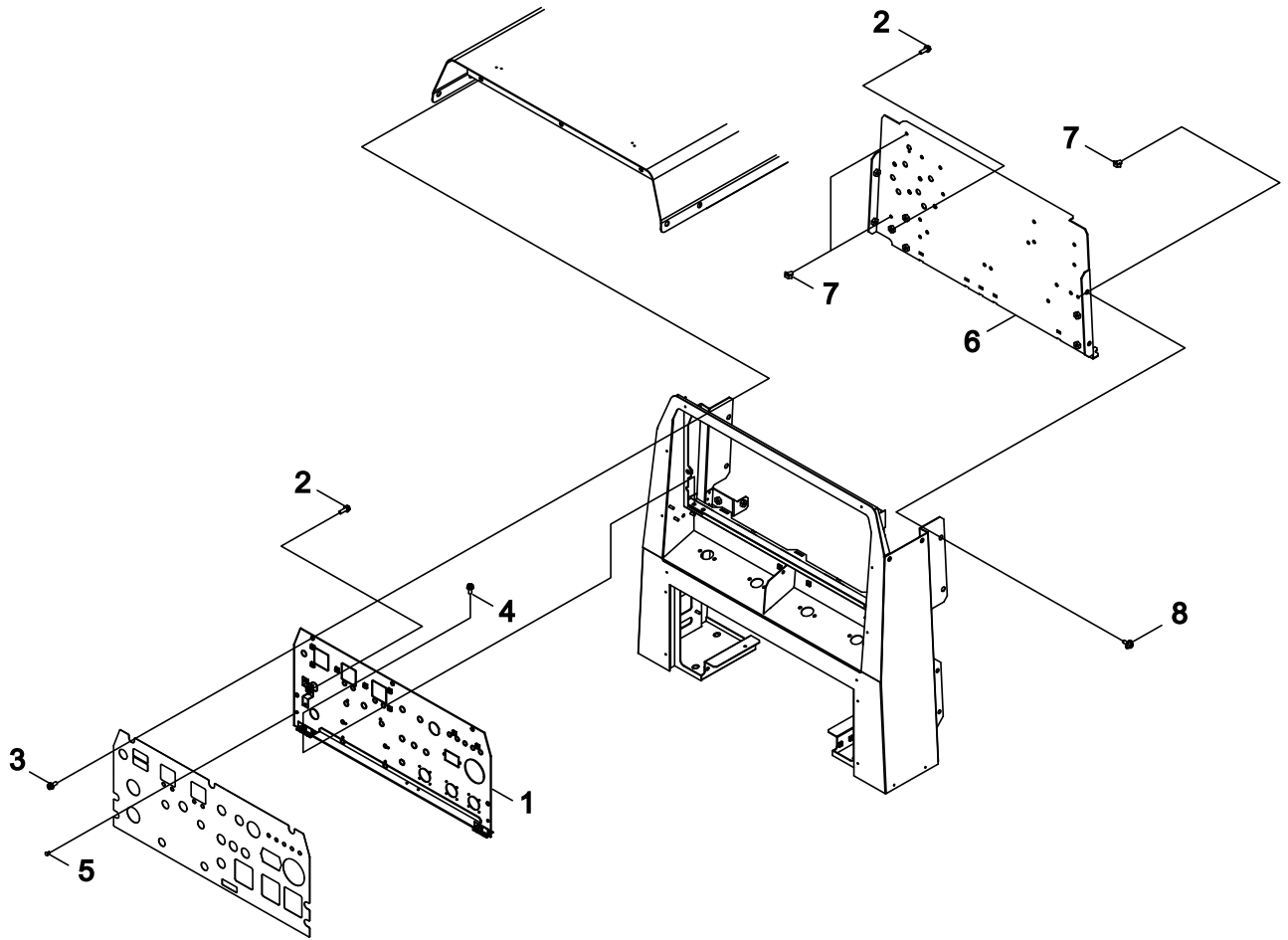
DGW420DM/ANZ



KEY	LV	PART NUMBER	Q'TY	DESCRIPTION	REMARKS	NOTE1	NOTE2
1		J492-001830	1	BONNET			
2		900147-08020	6	BOLT 8*20	8*20		
3		91036-06016	1	BOLT SW			
4		M470-002280	1	COVER			
5		M470-002290	1	COVER			
6		V420-003160	2	BUSH RUBBER			
7		V375-000480	4	COLLAR			
8		91036-06020	2	BOLT SW			
9		900602-00008	4	WASHER 8	8.4*17*1.6		
10		91036-06030	1	BOLT SW			
11		V264-000220	1	FLANGE NUT			
12		V420-003170	2	RUBBER PIPE			
13		J500-000650	1	PANEL			
14		V204-001600	21	BOLT,6	M6*16		
15		J492-001840	1	BONNET			
16		J500-000640	1	PANEL			
17		J500-000640	1	GUARD			

6. OPERATION PANEL

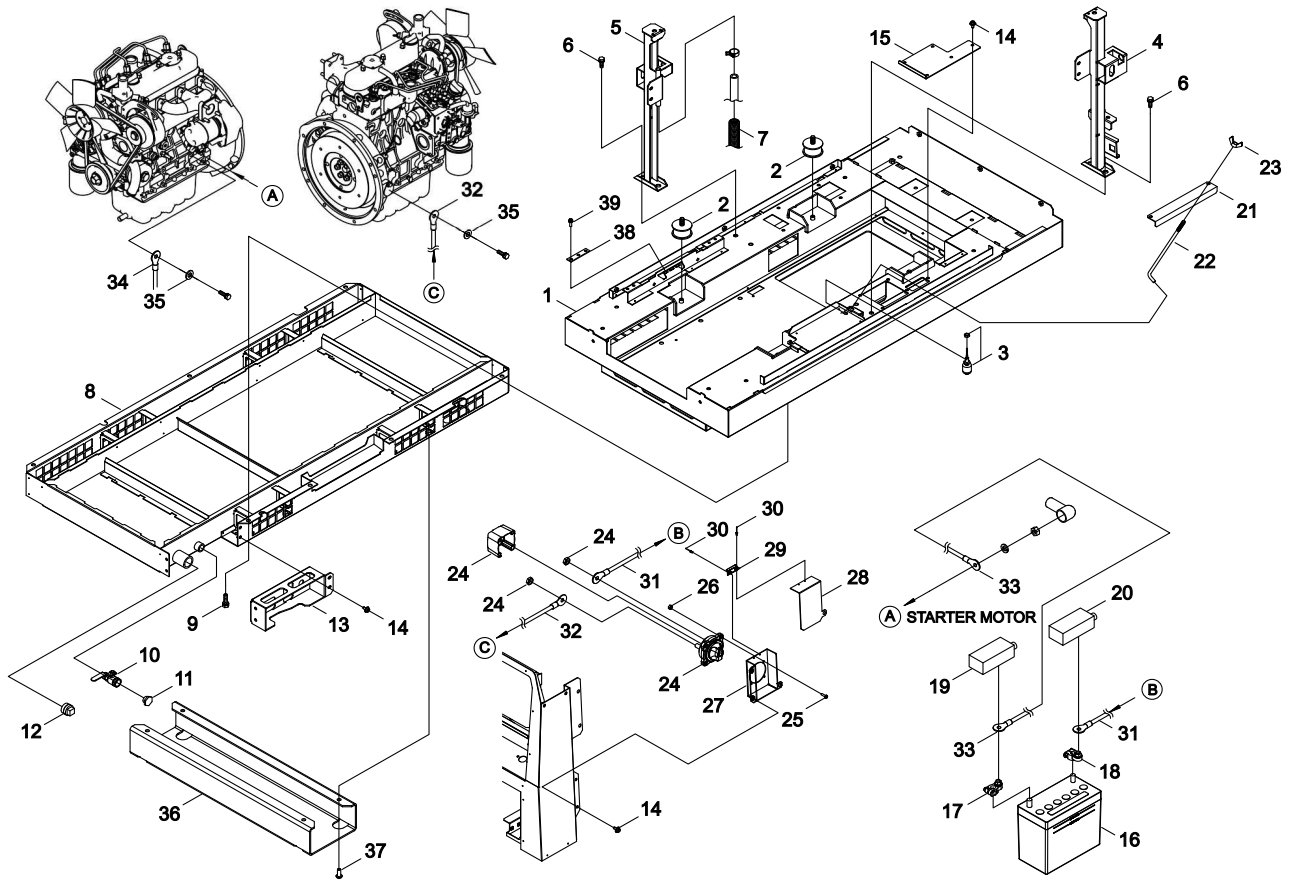
DGW420DM/ANZ



KEY	LV	PART NUMBER	Q'TY	DESCRIPTION	REMARKS	NOTE1	NOTE2
1		C160-001361	1	PANEL,OPERATION			
2		91036-06016	2	BOLT SW			
3		V204-001610	5	BOLT,6			
4		900182-04010	4	BOLT	4*10 W,SW		
5		V494-000420	2	CAP			
6		J500-000660	1	PANEL			
7		M416-000070	3	STOPPER,BAND			
8		V204-001600	4	BOLT,6	M6*16		

7. FRAME

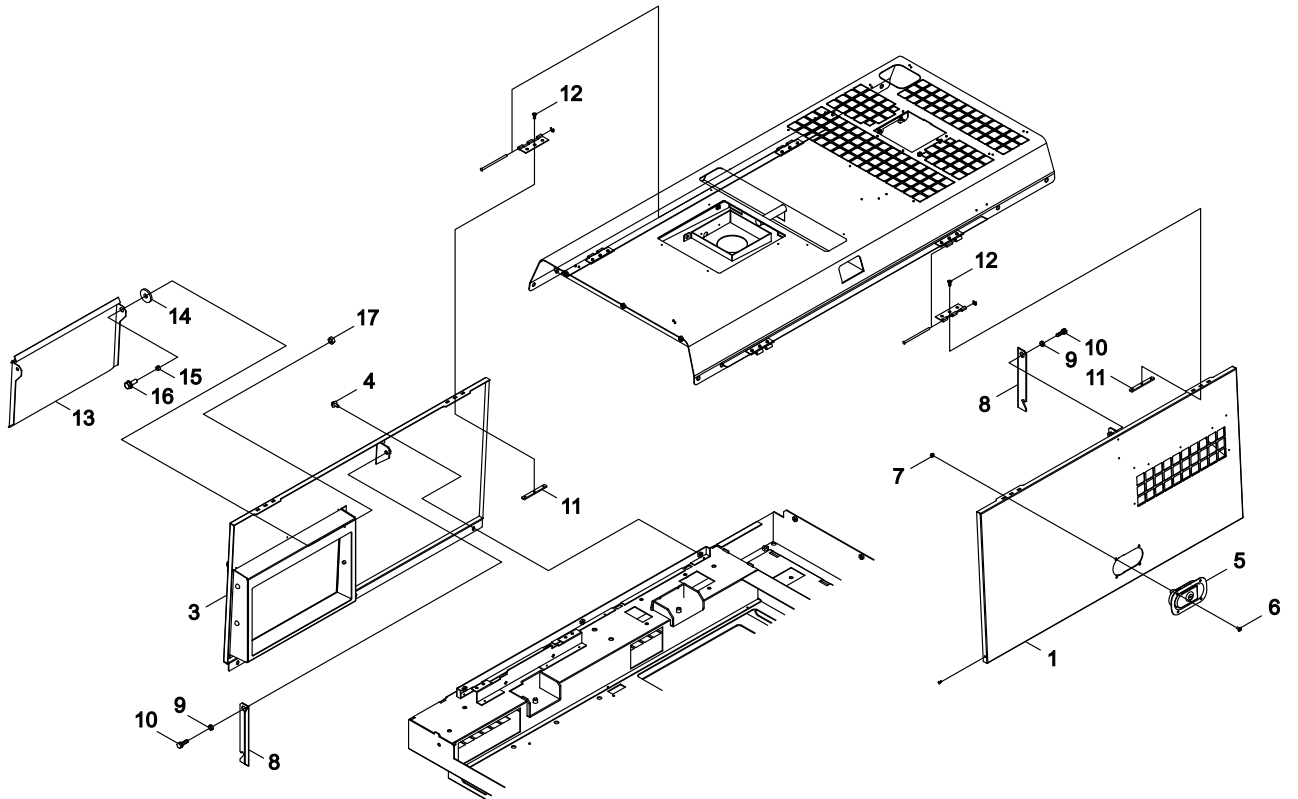
DGW420DM/ANZ



KEY	LV	PART NUMBER	Q'TY	DESCRIPTION	REMARKS	NOTE1	NOTE2
1		J405-002890	1	FRAME			
2		V420-003140	4	AV RUBBER			
3		G334-001080	1	SWITCH	MFS17-B(NBR)		
4		J415-000780	1	STAY,BONNET			
5		J415-000790	1	STAY,BONNET			
6		900147-10025	4	BOLT	10*25SW,W		
7		V475-008020	1	TUBE			
8		J447-001010	1	GUARD			
9		V205-001120	7	BOLT,8	BM-8*20 W SW		
10		E265-000190	1	VALVE	BV23-04		
11		E328-000220	1	PLUG,DRAIN			
12		E328-000230	1	PLUG,DRAIN			
13		J447-001020	1	GUARD			
14		V204-001600	11	BOLT,6	M6*16		
15		C603-000820	1	PLATE,SIDE			
16		V481-000180	1	BATTERY 65B24L			
17		G304-000020	1	TERMINAL +			
18		G304-000030	1	TERMINAL -			
19		G305-000030	1	TERMINAL CAP			
20		G305-000210	1	CAP,TERMINAL			
21		G303-000290	1	HOLDER,BATTERY			
22		V240-000150	2	BOLT BATTERY			
23		92190-08000	2	WING NUT			
24		G334-001320	1	SWITCH			
25		91564-05016	4	SCREW SW			
26		900500-00005	4	NUT 5	5		
27		C527-000960	1	STAY			
28		A473-000070	1	LID,SWITCH CASE			
29		J485-000570	1	HINGE			
30		V649-000130	4	BLIND RIVET			
31		M385-000240	1	LEAD			
32		M385-000250	1	LEAD			
33		M380-000170	1	LEAD WIRE			
34		M385-000260	1	LEAD			
35		900617-00010	2	WASHER 10	10(10.5*18*2)		
36		C619-000130	2	BASE			
37		91142-10025	8	SCREW BUTTON			
38		V150-003140	1	PLATE,EYE			
39		91036-06016	3	BOLT SW			

8. DOOR

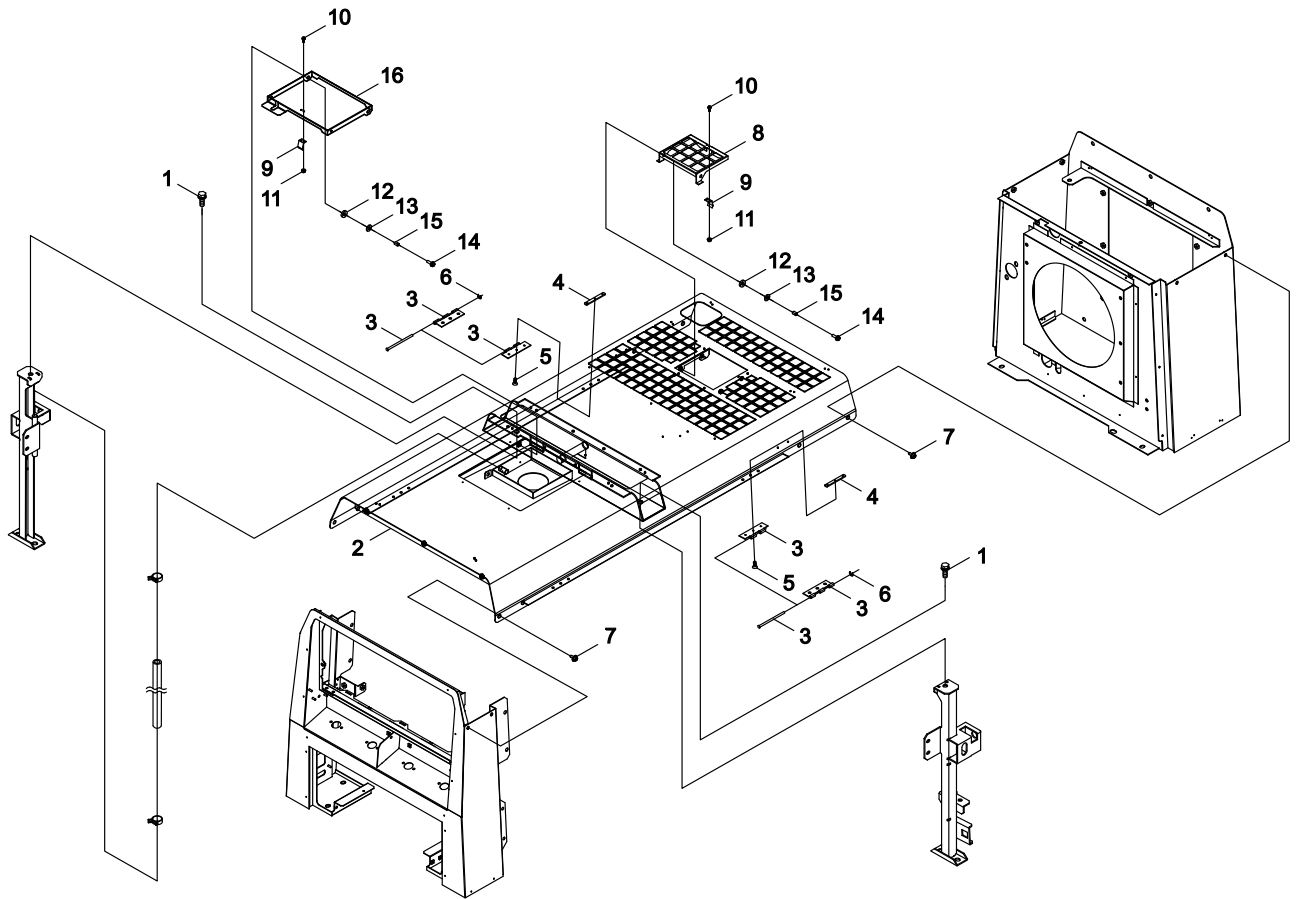
DGW420DM/ANZ



KEY	LV	PART NUMBER	Q'TY	DESCRIPTION	REMARKS	NOTE1	NOTE2
1		M406-001450	1	DOOR,RIGHT			
3		M404-001020	1	DOOR,LEFT			
4		V204-001600	3	BOLT,6	M6*16		
5		C701-000900	1	HANDLE			
6		900209-05010	4	SCREW, 5*10	5*10		
7		V263-000330	4	FLANGE NUT			
8		G257-000760	2	STOPPER			
9		V375-000460	2	COLLAR			
10		900147-08020	2	BOLT 8*20	8*20		
11		V150-002620	4	TAPPING PLATE			
12		900212-04010	12	SCREW 4*10	+SF4*10		
13		M470-002300	1	COVER			
14		V420-003080	1	BUSH RUBBER			
15		V375-000410	1	COLLAR			
16		91024-10030	1	BOLT	BM-10*30/W,SW		
17		900500-00010	1	NUT 10	10*P1.5		

9. BONNET

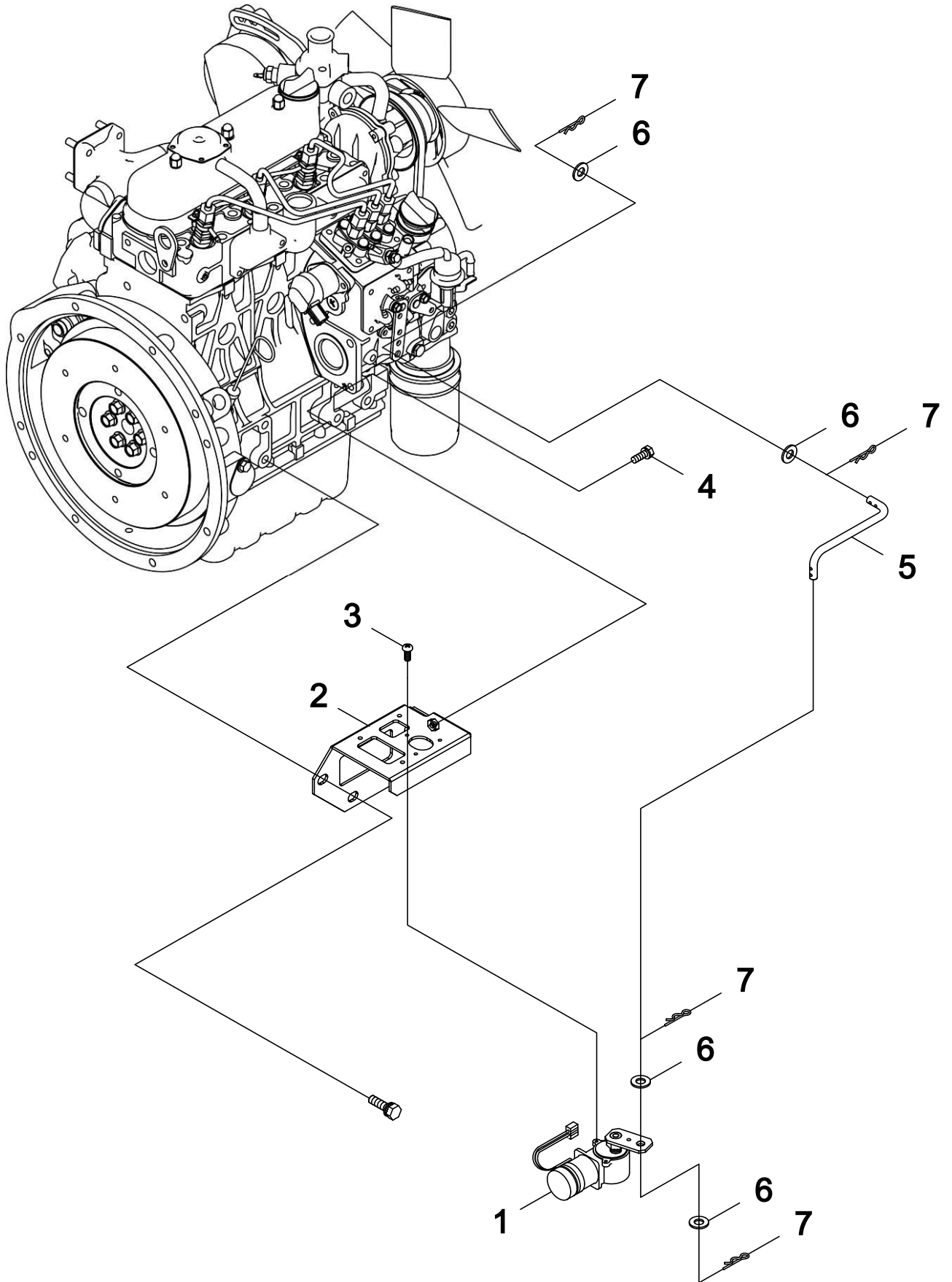
DGW420DM/ANZ



KEY	LV	PART NUMBER	Q'TY	DESCRIPTION	REMARKS	NOTE1	NOTE2
1		V206-000580	2	BOLT,10			
2		J492-001850	1	BONNET			
3	+	J485-000610	4	HINGE			
4	+	V150-002620	4	TAPPING PLATE			
5	+	900212-04010	12	SCREW 4*10	+SF4*10		
6	+	900703-00004	4	E-RING 4 SUS	CE-4 SUS		
7		V204-001600	9	BOLT,6	M6*16		
8		J480-000791	1	LID,COVER			
9		C390-000010	2	TONGUE			
10		91564-03010	4	SCREW SPW			
11		V261-000010	4	FLANGE NUT			
12		V420-003160	4	BUSH RUBBER			
13		900602-00008	4	WASHER 8	8.4*17*1.6		
14		91036-06020	4	BOLT SW			
15		V375-000480	4	COLLAR			
16		A354-000060	1	LID,FUEL TANK			

10. MOTOR

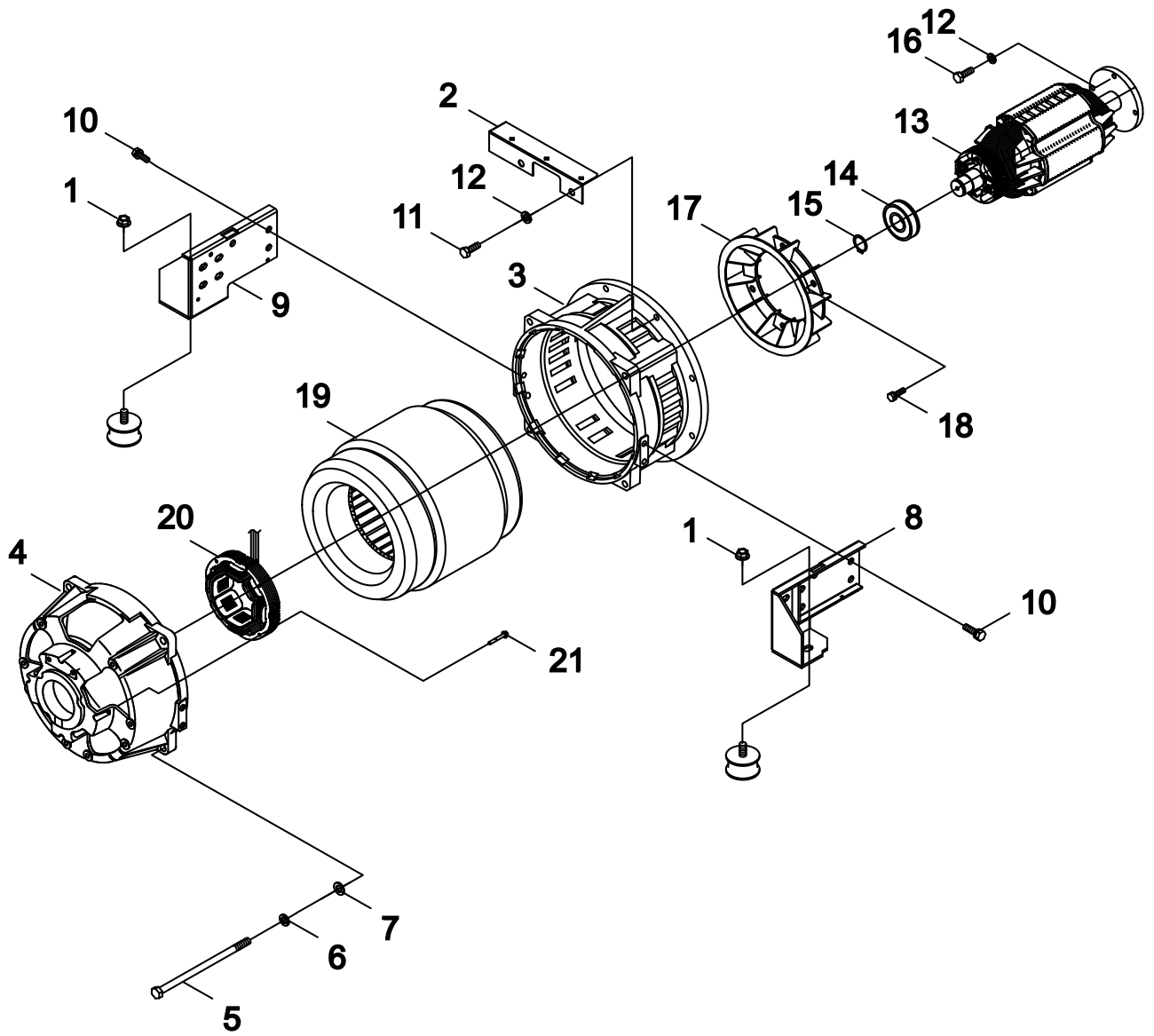
DGW420DM/ANZ



KEY	LV	PART NUMBER	Q'TY	DESCRIPTION	REMARKS	NOTE1	NOTE2
1		G280-000160	1	MOTOR COMP			
2		C527-000970	1	STAY			
3		91564-03012	3	SCREW SW			
4		91036-06030	1	BOLT SW			
5		C454-000500	1	ROD,THROTTLE			
6		900602-00008	4	WASHER 8	8.4*17*1.6		
7		93003-08000	4	SNAP PIN			

11. ROTOR

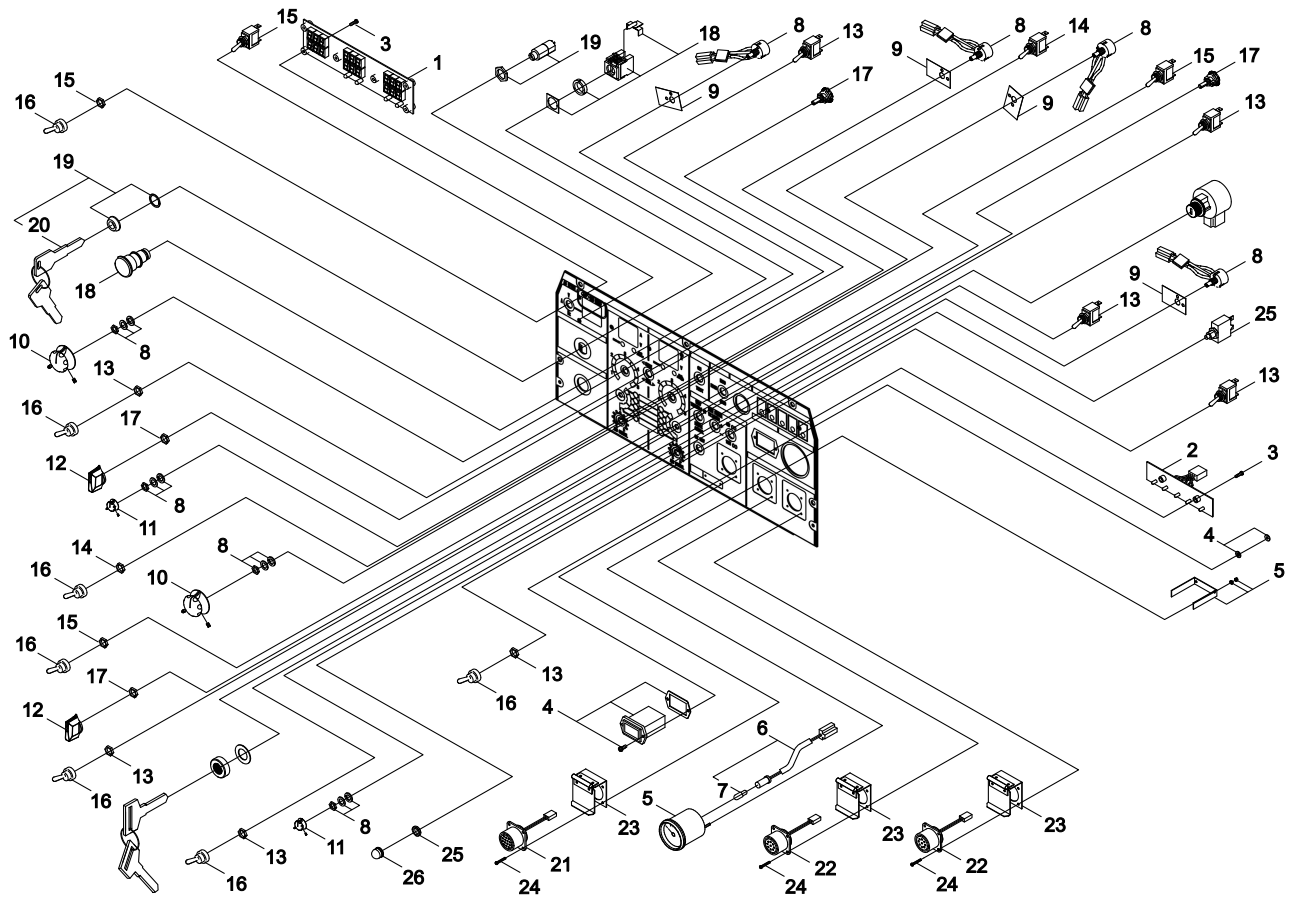
DGW420DM/ANZ



KEY	LV	PART NUMBER	Q'TY	DESCRIPTION	REMARKS	NOTE1	NOTE2
1		V268-000060	2	FLANGE NUT			
2		C519-004730	1	STAY			
3		M305-000080	1	FRONT BRACKET			
4		M305-000090	1	REAR BRACKET			
5		V207-000120	4	BOLT			
6		900605-00012	4	WASHER, SPRING 12	12		
7		900617-00012	4	WASHER 12	12(13*21*2.5)		
8		C519-004741	1	STAY			
9		C519-004750	1	STAY			
10		91024-10030	8	BOLT	BM-10*30/W,SW		
11		91027-10025	8	BOLT			
12		900605-00010	8	WASHER, SPRING 10	10		
13		M102-000650	1	ROTOR			
14		V592-000200	1	BEARING			
15		92423-34000	1	SNAP RING			
16		91014-10030	4	BOLT	B-10*1.25*30 8.8		
17		A171-000090	1	FAN			
18		900147-08025	6	BOLT, 8*25	8*25		
19		M106-001220	1	STATOR			
20		M106-001070	1	STATOR			
21		91024-05040	4	BOLT			

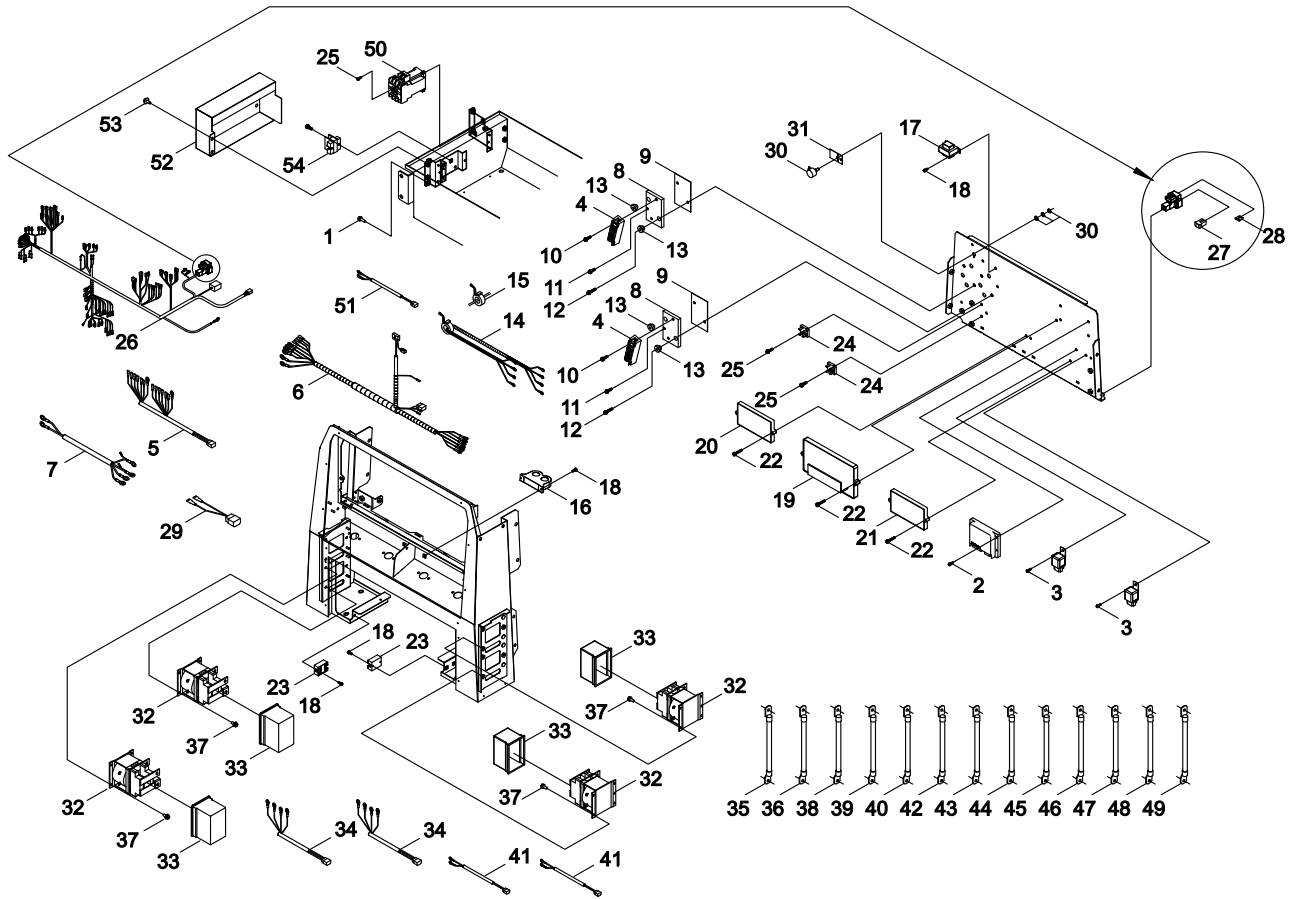
12. CONTROL UNIT

DGW420DM/ANZ

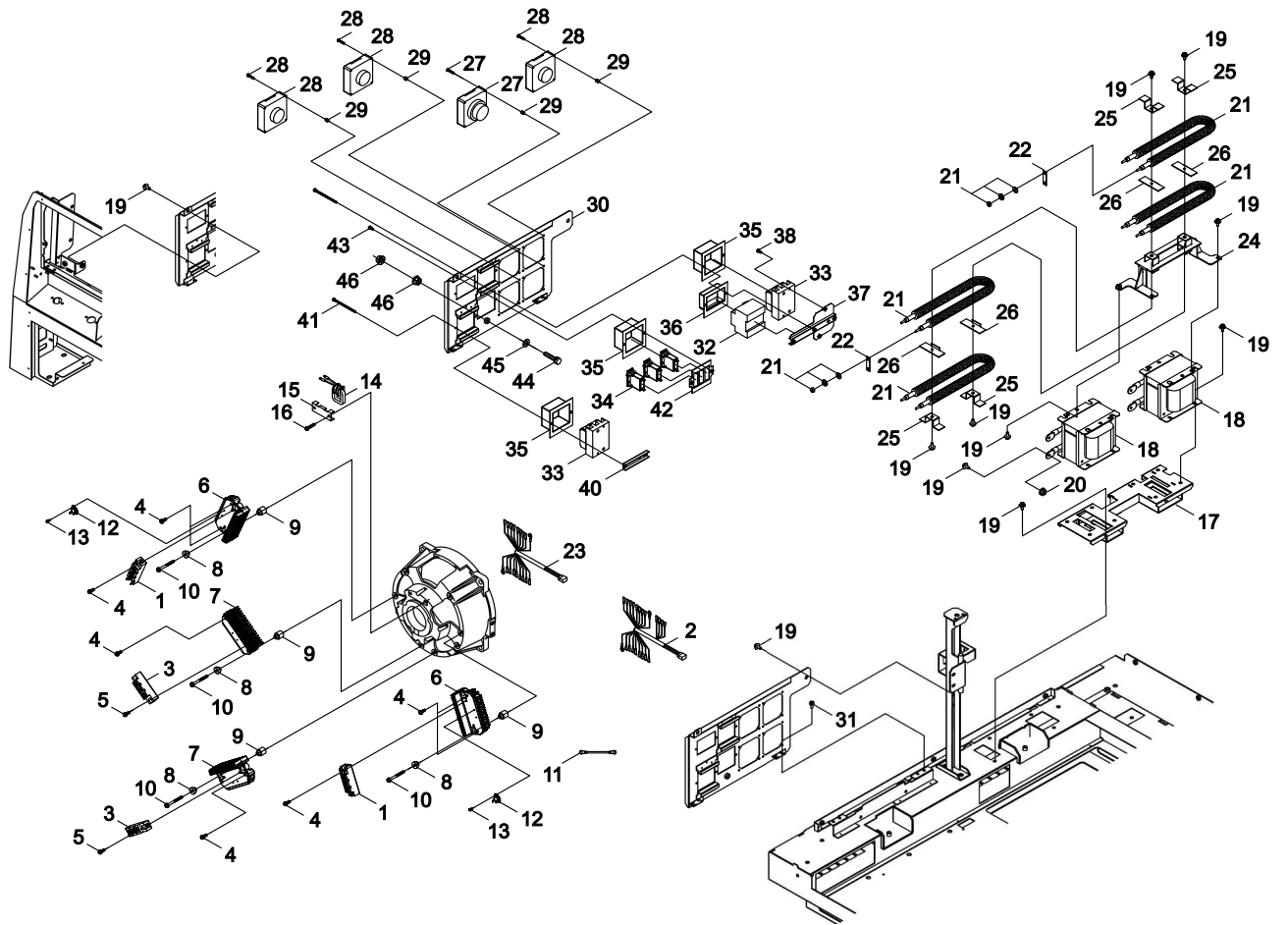


KEY	LV	PART NUMBER	Q'TY	DESCRIPTION	REMARKS	NOTE1	NOTE2
1		C124-000110	1	PRINTED CIRCUIT			
2		C124-000060	1	PRINT CIRCUIT			
3		91461-04014	8	SCREW			
4		G319-000060	1	HOUR METER			
5		G318-000010	1	FUEL METER			
6		G327-000340	1	LAMP ASSY			
7	+	G327-000330	1	PILOT LAMP			
8		M112-000030	4	VOLUME COMP			
9		M702-000050	4	INS PAPER			
10		E145-000070	2	DIAL			
11		E145-000080	2	DIAL			
12		M613-000240	2	KNOB			
13		A045-000510	4	TOGGLE SWITCH			
14		A440-001730	1	TOGGLE SWITCH			
15		G334-001110	2	SWITCH			
16		V494-000460	7	CAP			
17		G334-001530	2	SWITCH			
18		G334-000870	1	SWITCH			
19		G334-000880	1	SWITCH			
20		G317-000010	1	KEY			
21		C154-000350	1	RECEPTACLE			
22		C154-000360	2	RECEPTACLE			
23		M470-000540	3	REMOTE CONTROL COVER			
24		91491-03012	12	SCREW TAPPING			
25		C137-000410	1	PROTECTOR,CIRCUIT			
26		V494-000430	1	CAP			

13. ELECTRICAL EQUIPMENT, HARNESS



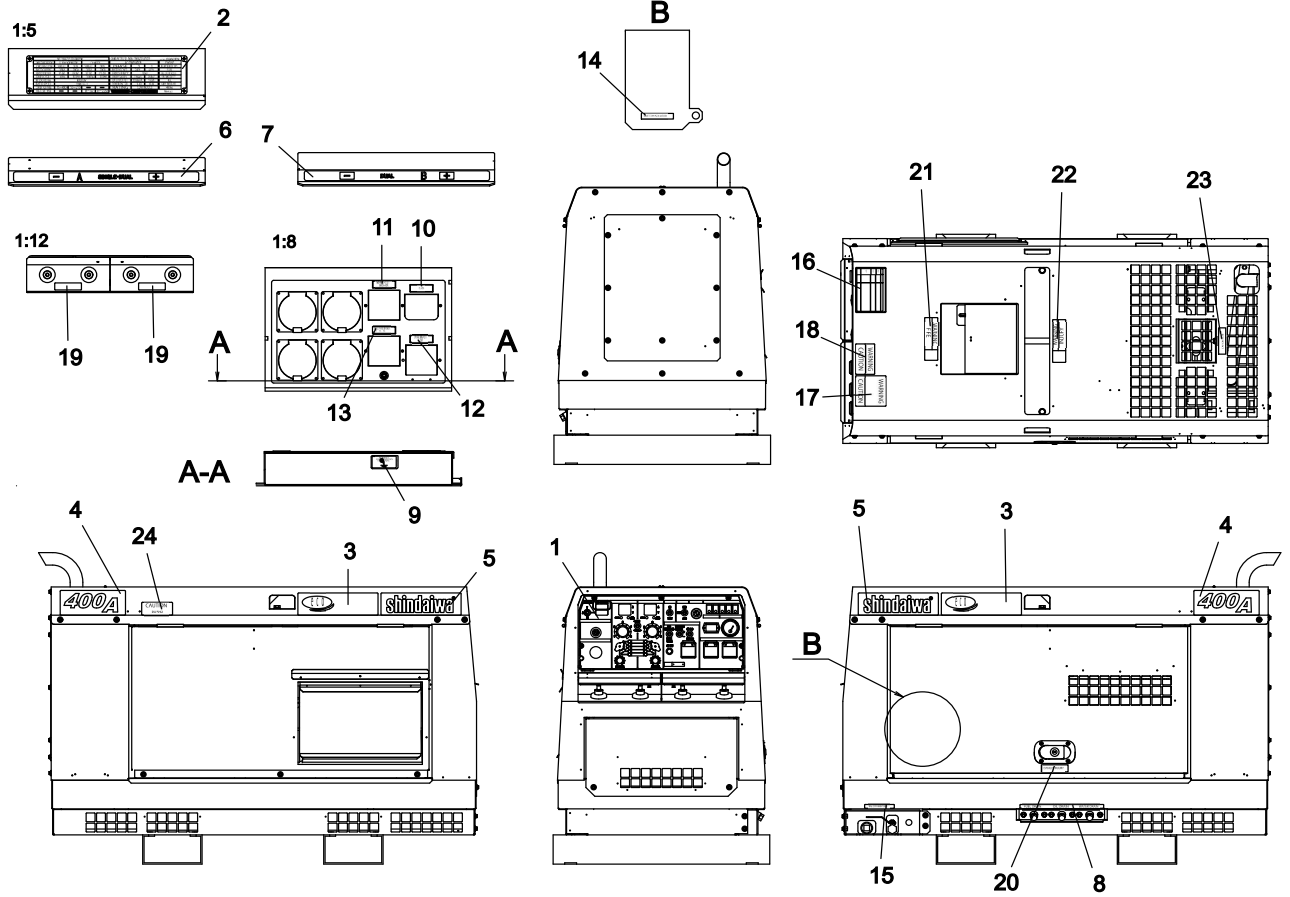
KEY	LV	PART NUMBER	Q'TY	DESCRIPTION	REMARKS	NOTE1	NOTE2
1		91036-06016	1	BOLT SW			
2		91564-05020	4	SCREW SW			
3		91564-05016	2	SCREW SW			
4		M101-000000	2	THYRISTOR			
5		G363-000050	1	HARNESS,WIRE			
6		G363-000060	1	HARNESS,WIRE			
7		G363-000070	2	HARNESS,WIRE			
8		A471-000410	2	STACK PLATE			
9		C557-000220	2	SHEET			
10		91564-06020	4	SCREW SW			
11		91564-06012	2	SCREW SW			
12		91565-06030	4	SCREW SPW			
13		V376-001460	4	INS RING			
14		M010-000080	1	CT,ASM			
15		M108-000190	1	CT,ASM			
16		M108-000060	1	CT			
17		C163-000040	1	TRANS			
18		91564-04012	8	SCREW SW			
19		G370-001630	1	UNIT,CONTROL			
20		G370-000770	1	PRINTED CIRCUIT			
21		G370-001640	1	UNIT,CONTROL			
22		91036-05025	6	BOLT SW			
23		M105-000050	2	RECTIFIRE			
24		M105-000000	2	RECTIFIER			
25		91564-04016	6	SCREW SPW			
26		G031-004010	1	HARNESS,WIRE			
27	+	G350-000250	1	FUSE	50A		
28	+	G350-000240	1	FUSE			
29		G363-000080	1	HARNESS,WIRE			
30		M112-000030	1	VOLUME COMP			
31		M702-000050	1	INS PAPER			
32		G334-000850	4	MAGNET SWITCH			
33		J139-000180	4	DUST COVER			
34		G362-000290	2	WIRING HARNESS			
35		M385-000360	1	LEAD			
36		M385-000370	1	LEAD			
37		91037-05012	12	BOLT SPW			
38		M385-000320	1	LEAD			
39		M385-000330	1	LEAD			
40		M385-000340	1	LEAD			
41		G360-000750	2	WIRING HARNESS			
42		M385-000350	1	LEAD			
43		M385-000380	1	LEAD			
44		M385-000390	1	LEAD			
45		M385-000400	1	LEAD			
46		M385-000410	1	LEAD			
47		M385-000420	1	LEAD			
48		M385-000420	1	LEAD			
49		M385-000440	1	LEAD			
50		G334-000890	1	MAGNET SWITCH			
51		G362-000310	1	WIRING HARNESS			
52		M470-002310	1	COVER			
53		V204-001600	4	BOLT,6	M6*16		
54		M308-000480	1	BLOCK,TERMINAL			



KEY	LV	PART NUMBER	Q'TY	DESCRIPTION	REMARKS	NOTE1	NOTE2
1		M101-000070	2	THYRISTOR			
2		G363-000140	1	HARNESS,WIRE			
3		M105-000010	2	RECTIFIER			
4		91564-06016	10	SCREW SW			
5		91564-05016	4	SCREW SW			
6		M615-000100	2	FIN			
7		M615-000110	2	FIN			
8		V376-001460	8	INS RING			
9		V376-001470	8	INS RING			
10		91564-06055	8	SCREW SW			
11		M380-000160	6	LEAD WIRE			
12		M100-000000	2	THERMOSTAT			
13		91564-03012	4	SCREW SW			
14		M010-000010	1	CT COMP			
15		V150-002660	1	CORE PLATE			
16		91341-06025	2	SCREW SW			
17		C527-000980	1	STAY			
18		M116-000000	2	REACTOR			
19		V204-001600	26	BOLT,6	M6*16		
20		V264-000220	4	FLANGE NUT			
21		M110-000410	4	RESISTER			
22		V150-002670	2	BUS BAR			
23		G363-000090	1	HARNESS,WIRE			
24		C527-000990	1	STAY			
25		V150-003230	4	PLATE,EYE			
26		V150-003150	4	PLATE,EYE			
27		C154-000260	1	SOCKET			
28		C154-000270	3	SOCKET			
29		C690-000150	16	FASTENER			
30		J420-000210	1	PLATE,ELECTRIC			
31		900182-04010	4	BOLT	4*10 W,SW		
32		M111-001110	1	BREAKER	4RC440/30 4P4E		
33		M111-000790	2	BREAKER			
34		C137-000140	3	CIRCUIT PROTECTOR			
35		J139-000230	3	DUST COVER			
36		J139-000411	1	COVER,DUST	ELCB		
37		C519-005150	1	STAY			
38		91564-04020	2	SCREW SPW			
40		C519-004590	1	STAY			
41		91461-04060	5	SCREW			
42		C527-000720	1	STAY			
43		91564-04012	2	SCREW SW			
44		91034-08040	1	BOLT SW			
45		900602-00008	1	WASHER 8	8.4*17*1.6		
46		V265-000450	2	NUT,8			

15. LABEL

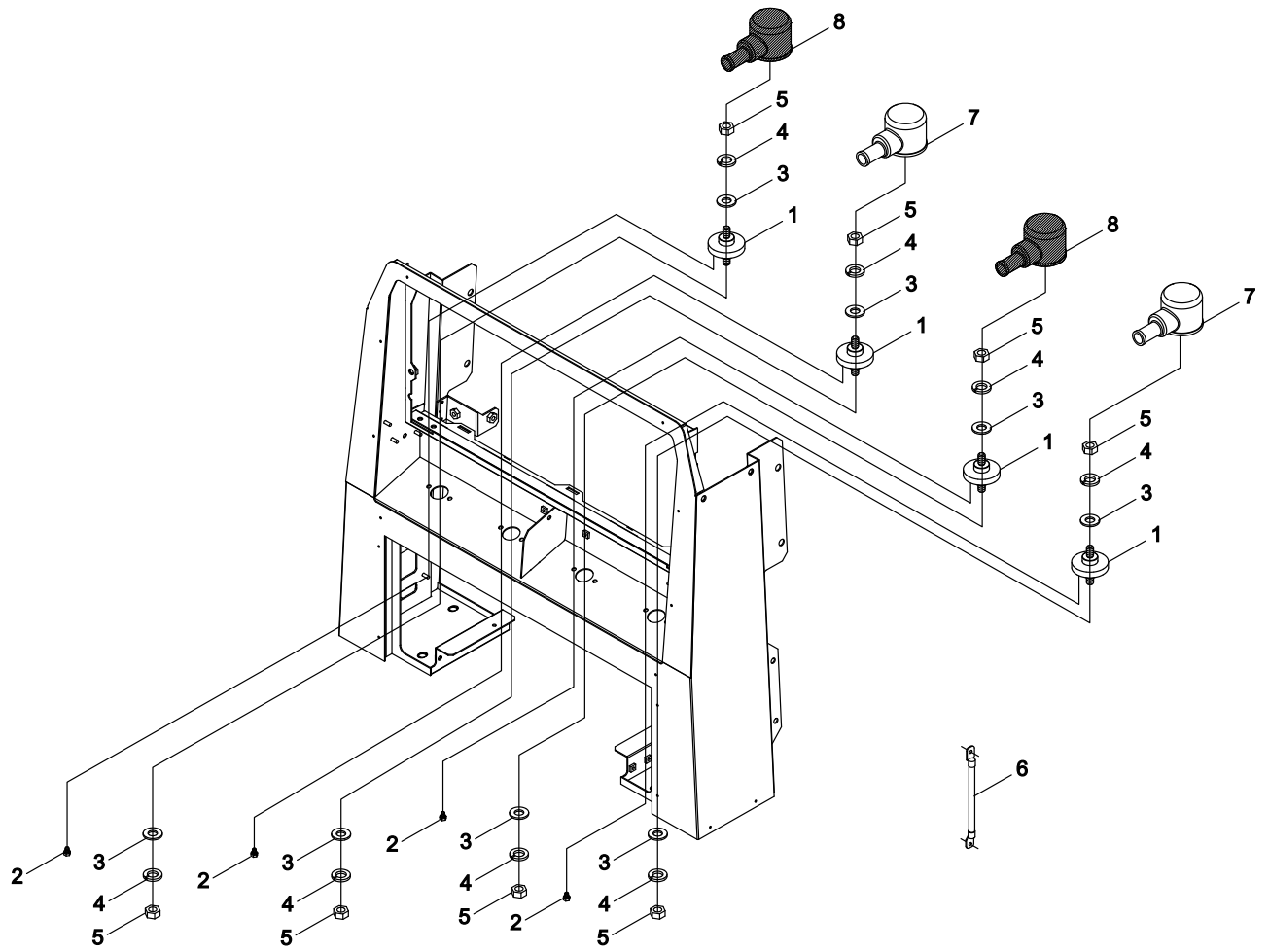
DGW420DM/ANZ



KEY	LV	PART NUMBER	Q'TY	DESCRIPTION	REMARKS	NOTE1	NOTE2
1		X532-003650	1	LABEL,OPERATION			
2		X533-001020	1	LABEL,SPEC			
3		M705-000850	2	LABEL,FEATURE			
4		M705-000380	2	LABEL AMPERE			
5		X504-006550	2	LABEL,BRAND			
6		M704-002340	1	LABEL,INST			
7		M704-002350	1	LABEL,INST			
8		M704-001520	1	LABEL INST			
9		M704-001400	1	LABEL INST			
10		M704-002360	1	LABEL,INST			
11		M704-000680	1	LABEL INST			
12		M704-001690	1	LABEL INST			
13		M704-001680	1	LABEL,INST			
14		M704-001550	1	LABEL INST			
15		M707-000580	1	LABEL,INST			
16		M707-000640	1	LABEL,INST			
17		X505-007590	1	LABEL,CAUTION			
18		X505-007600	1	LABEL,CAUTION			
19		X505-007610	2	LABEL,CAUTION			
20		X505-007630	1	LABEL,CAUTION			
21		X505-007650	1	LABEL,CAUTION			
22		X505-007550	1	LABEL,CAUTION			
23		X505-007620	1	LABEL,CAUTION			
24		X505-007660	1	LABEL,CAUTION			

16. FRONT COVER

DGW420DM/ANZ



KEY	LV	PART NUMBER	Q'TY	DESCRIPTION	REMARKS	NOTE1	NOTE2
1		M603-000010	4	TERMINAL REST			
2		91031-05008	8	BOLT SW			
3		92227-12000	8	WASHER			
4		92237-12000	8	WASHER SPRING	SW-12		
5		92005-12000	8	NUT			
6		M385-000310	1	LEAD			
7		G305-000170	2	CAP,TERMINAL			
8		G305-000180	2	CAP,TERMINAL			

Index

Patrs Number	Key No.	Patrs Number	Key No.	Patrs Number	Key No.
900147-08020	2 - 9	91564-04012	13 - 18	C557-000220	13 - 9
900147-08020	5 - 2	91564-04012	14 - 43	C603-000820	7 - 15
900147-08020	8 - 10	91564-04016	13 - 25	C619-000130	7 - 36
900147-08025	4 - 4	91564-04020	14 - 38	C690-000150	14 - 29
900147-08025	11 - 18	91564-05016	7 - 25	C701-000900	8 - 5
900147-10025	7 - 6	91564-05016	13 - 3	E145-000070	12 - 10
900182-04010	6 - 4	91564-05016	14 - 5	E145-000080	12 - 11
900182-04010	14 - 31	91564-05020	13 - 2	E265-000190	7 - 10
900209-05010	8 - 6	91564-06012	13 - 11	E325-000040	3 - 9
900212-04010	8 - 12	91564-06016	14 - 4	E328-000220	7 - 11
900212-04010	9 - 5	91564-06020	13 - 10	E328-000230	7 - 12
900500-00005	7 - 26	91564-06055	14 - 10	G031-004010	13 - 26
900500-00010	8 - 17	91565-06030	13 - 12	G121-000560	2 - 1
900602-00008	5 - 9	92005-12000	16 - 5	G126-000480	3 - 12
900602-00008	9 - 13	92190-08000	7 - 23	G231-000560	2 - 7
900602-00008	10 - 6	92227-12000	16 - 3	G231-000970	2 - 6
900602-00008	14 - 45	92237-12000	16 - 4	G231-000980	2 - 2
900605-00010	11 - 12	92423-34000	11 - 15	G234-000060	2 - 10
900605-00012	11 - 6	93003-08000	10 - 7	G250-000990	3 - 1
900617-00010	7 - 35	A045-000510	12 - 13	G255-000110	3 - 4
900617-00012	11 - 7	A171-000090	11 - 17	G257-000760	8 - 8
900703-00004	9 - 6	A300-001430	2 - 5	G280-000160	10 - 1
91014-10030	11 - 16	A354-000060	9 - 16	G303-000290	7 - 21
91024-05040	11 - 21	A369-000180	3 - 2	G304-000020	7 - 17
91024-10030	8 - 16	A440-001730	12 - 14	G304-000030	7 - 18
91024-10030	11 - 10	A471-000410	13 - 8	G305-000030	7 - 19
91027-10025	11 - 11	A473-000070	7 - 28	G305-000170	16 - 7
91031-05008	16 - 2	C124-000060	12 - 2	G305-000180	16 - 8
91034-08040	14 - 44	C124-000110	12 - 1	G305-000210	7 - 20
91036-05025	13 - 22	C137-000140	14 - 34	G317-000010	12 - 20
91036-06016	5 - 3	C137-000410	12 - 25	G318-000010	12 - 5
91036-06016	6 - 2	C154-000260	14 - 27	G319-000060	12 - 4
91036-06016	7 - 39	C154-000270	14 - 28	G327-000330	12 - 7
91036-06016	13 - 1	C154-000350	12 - 21	G327-000340	12 - 6
91036-06020	1 - 3	C154-000360	12 - 22	G334-000850	13 - 32
91036-06020	5 - 8	C160-001361	6 - 1	G334-000870	12 - 18
91036-06020	9 - 14	C163-000040	13 - 17	G334-000880	12 - 19
91036-06030	5 - 10	C390-000010	9 - 9	G334-000890	13 - 50
91036-06030	10 - 4	C454-000500	10 - 5	G334-001080	7 - 3
91037-05012	13 - 37	C519-004590	14 - 40	G334-001110	12 - 15
91142-10025	7 - 37	C519-004730	11 - 2	G334-001320	7 - 24
91341-06025	14 - 16	C519-004741	11 - 8	G334-001530	12 - 17
91461-04014	12 - 3	C519-004750	11 - 9	G350-000240	13 - 28
91461-04060	14 - 41	C519-005150	14 - 37	G350-000250	13 - 27
91463-05012	3 - 11	C527-000720	14 - 42	G360-000750	13 - 41
91491-03012	12 - 24	C527-000960	7 - 27	G362-000290	13 - 34
91564-03010	9 - 10	C527-000970	10 - 2	G362-000310	13 - 51
91564-03012	10 - 3	C527-000980	14 - 17	G363-000050	13 - 5
91564-03012	14 - 13	C527-000990	14 - 24	G363-000060	13 - 6

Index

Patrs Number	Key No.	Patrs Number	Key No.	Patrs Number	Key No.
G363-000070	13 - 7	M380-000170	7 - 33	V150-002620	9 - 4
G363-000080	13 - 29	M385-000240	7 - 31	V150-002660	14 - 15
G363-000090	14 - 23	M385-000250	7 - 32	V150-002670	14 - 22
G363-000140	14 - 2	M385-000260	7 - 34	V150-003140	7 - 38
G370-000770	13 - 20	M385-000310	16 - 6	V150-003150	14 - 26
G370-001630	13 - 19	M385-000320	13 - 38	V150-003230	14 - 25
G370-001640	13 - 21	M385-000330	13 - 39	V204-001600	1 - 2
J139-000180	13 - 33	M385-000340	13 - 40	V204-001600	3 - 8
J139-000230	14 - 35	M385-000350	13 - 42	V204-001600	5 - 14
J139-000411	14 - 36	M385-000360	13 - 35	V204-001600	6 - 8
J405-002890	7 - 1	M385-000370	13 - 36	V204-001600	7 - 14
J415-000780	7 - 4	M385-000380	13 - 43	V204-001600	8 - 4
J415-000790	7 - 5	M385-000390	13 - 44	V204-001600	9 - 7
J420-000210	14 - 30	M385-000400	13 - 45	V204-001600	13 - 53
J447-001010	7 - 8	M385-000410	13 - 46	V204-001600	14 - 19
J447-001020	7 - 13	M385-000420	13 - 47	V204-001610	6 - 3
J480-000791	9 - 8	M385-000420	13 - 48	V205-001120	1 - 5
J485-000570	7 - 29	M385-000440	13 - 49	V205-001120	4 - 7
J485-000610	9 - 3	M404-001020	8 - 3	V205-001120	7 - 9
J492-001830	5 - 1	M406-001450	8 - 1	V206-000580	9 - 1
J492-001840	5 - 15	M416-000070	6 - 7	V207-000120	11 - 5
J492-001850	9 - 2	M470-000540	12 - 23	V240-000150	7 - 22
J500-000640	5 - 16	M470-002280	5 - 4	V261-000010	9 - 11
J500-000640	5 - 17	M470-002290	5 - 5	V263-000330	8 - 7
J500-000650	5 - 13	M470-002300	8 - 13	V264-000220	5 - 11
J500-000660	6 - 6	M470-002310	13 - 52	V264-000220	14 - 20
M010-000010	14 - 14	M603-000010	16 - 1	V265-000290	2 - 4
M010-000080	13 - 14	M613-000240	12 - 12	V265-000450	14 - 46
M100-000000	14 - 12	M615-000100	14 - 6	V268-000060	2 - 11
M101-000000	13 - 4	M615-000110	14 - 7	V268-000060	11 - 1
M101-000070	14 - 1	M702-000050	12 - 9	V375-000410	8 - 15
M102-000650	11 - 13	M702-000050	13 - 31	V375-000460	8 - 9
M105-000000	13 - 24	M704-000680	15 - 11	V375-000480	5 - 7
M105-000010	14 - 3	M704-001400	15 - 9	V375-000480	9 - 15
M105-000050	13 - 23	M704-001520	15 - 8	V376-001460	13 - 13
M106-001070	11 - 20	M704-001550	15 - 14	V376-001460	14 - 8
M106-001220	11 - 19	M704-001680	15 - 13	V376-001470	14 - 9
M108-000060	13 - 16	M704-001690	15 - 12	V420-003080	8 - 14
M108-000190	13 - 15	M704-002340	15 - 6	V420-003140	7 - 2
M110-000410	14 - 21	M704-002350	15 - 7	V420-003160	5 - 6
M111-000790	14 - 33	M704-002360	15 - 10	V420-003160	9 - 12
M111-001110	14 - 32	M705-000380	15 - 4	V420-003170	5 - 12
M112-000030	12 - 8	M705-000850	15 - 3	V475-006130	4 - 1
M112-000030	13 - 30	M707-000580	15 - 15	V475-006170	4 - 3
M116-000000	14 - 18	M707-000640	15 - 16	V475-006230	1 - 7
M305-000080	11 - 3	V104-001740	2 - 3	V475-007230	3 - 13
M305-000090	11 - 4	V107-000140	3 - 5	V475-008020	7 - 7
M308-000480	13 - 54	V145-000510	3 - 14	V475-008030	4 - 6
M380-000160	14 - 11	V150-002620	8 - 11	V476-000270	1 - 1

Index

Patrs Number	Key No.	Patrs Number	Key No.	Patrs Number	Key No.
V476-000280	4 - 5				
V476-000330	1 - 6				
V476-000340	4 - 2				
V481-000180	7 - 16				
V489-000120	3 - 3				
V494-000420	6 - 5				
V494-000430	12 - 26				
V494-000460	12 - 16				
V495-002100	2 - 8				
V500-000020	3 - 10				
V540-000440	3 - 6				
V542-000010	1 - 4				
V542-000020	3 - 7				
V592-000200	11 - 14				
V649-000130	7 - 30				
X504-006550	15 - 5				
X505-007550	15 - 22				
X505-007590	15 - 17				
X505-007600	15 - 18				
X505-007610	15 - 19				
X505-007620	15 - 23				
X505-007630	15 - 20				
X505-007650	15 - 21				
X505-007660	15 - 24				
X532-003650	15 - 1				
X533-001020	15 - 2				

YAMABIKO CORPORATION

7-2 SUEHIROCHO 1-CHOME, OHME, TOKYO 198-8760, JAPAN
PHONE: 81-428-32-6118. FAX: 81-428-32-6145.

shindaiwa[®]

13Jb
No. 06-002