

shindaiwa

PARTS PRICE LIST

DGW500DM

Shindaiwa Corporation

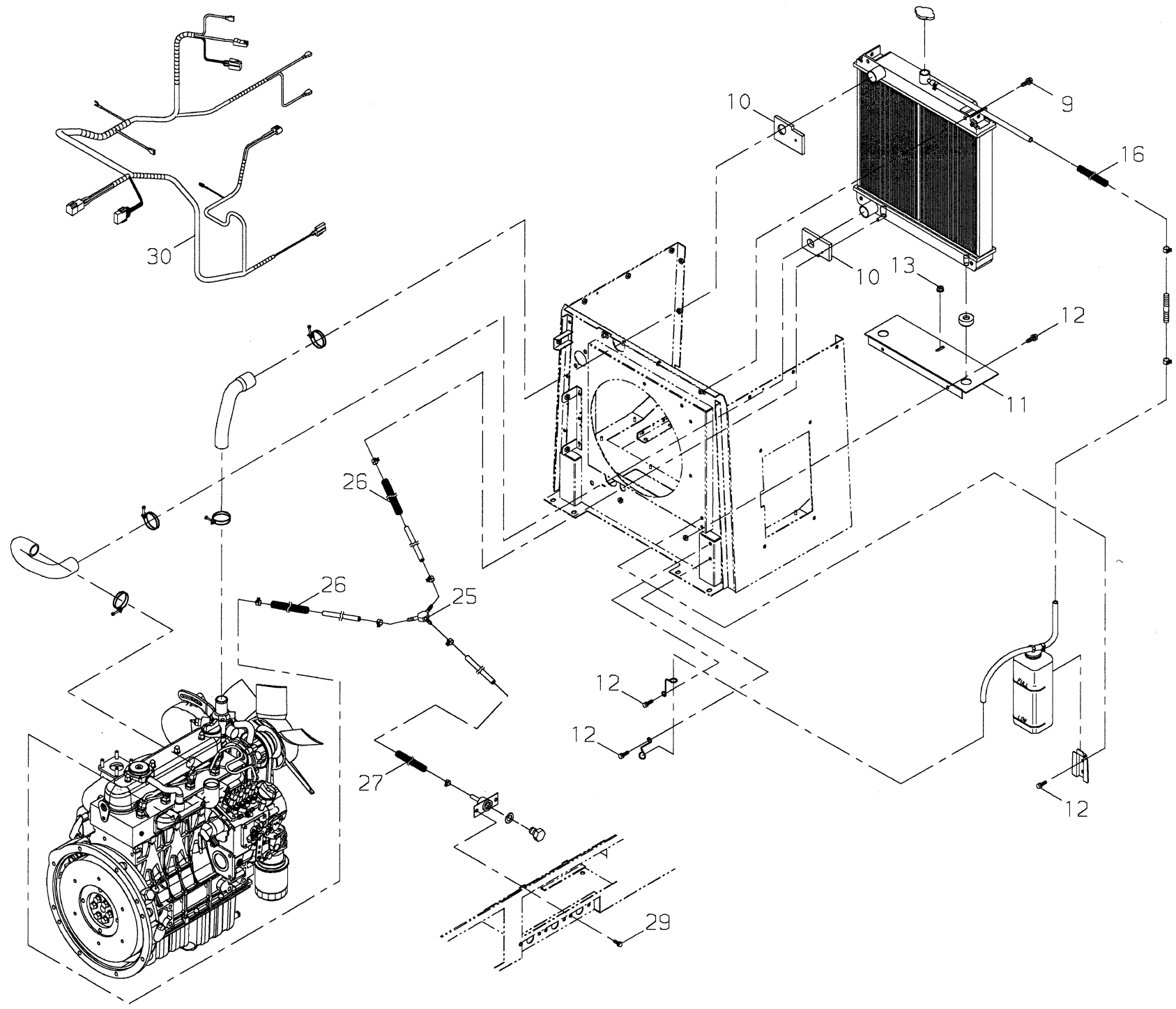
6-2-11, Ozuka-Nishi, Asaminami-ku, Hiroshima, 731-3167, Japan

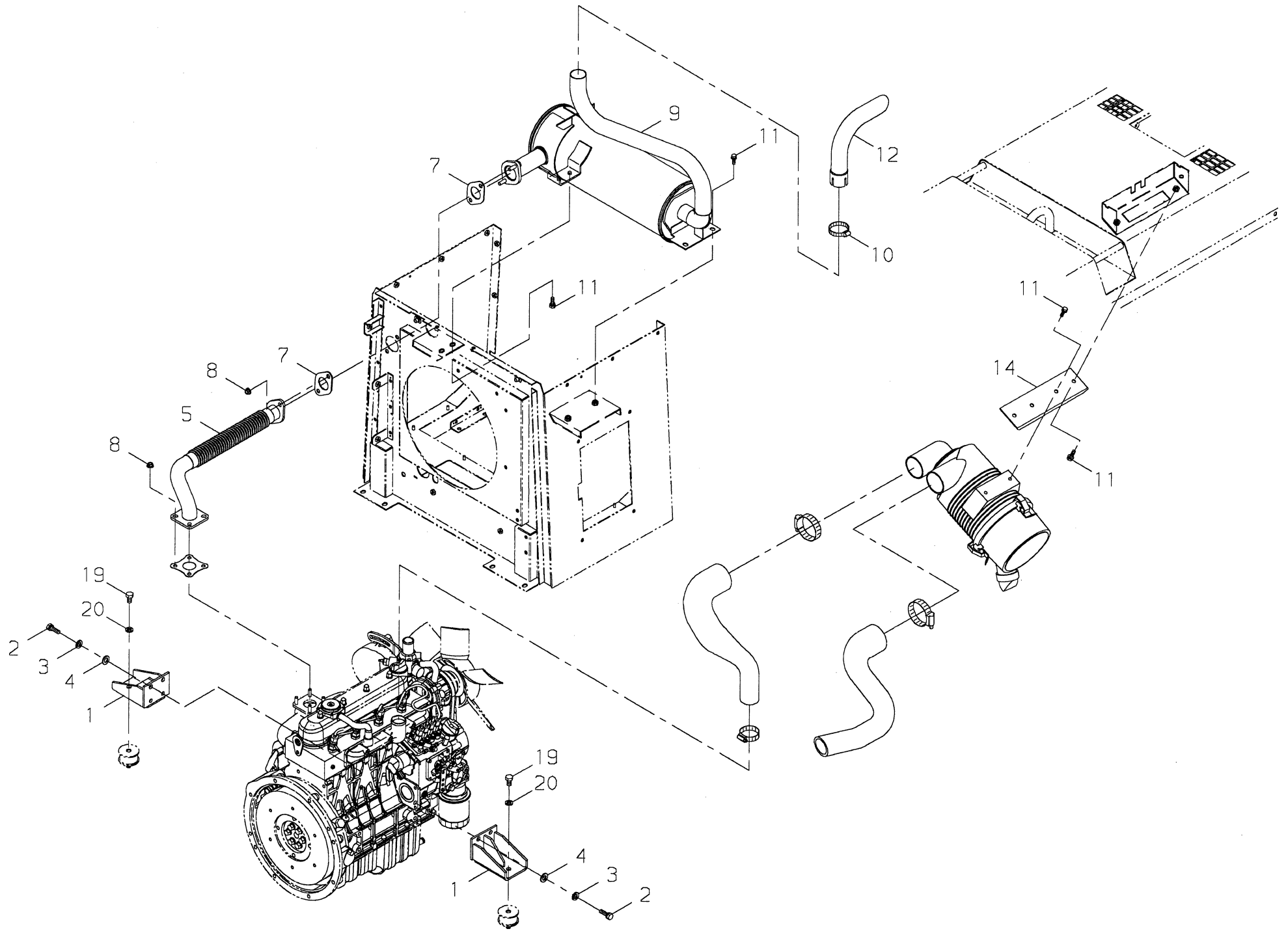
Telephone (082) 849-2005 Fax (082) 849-2481

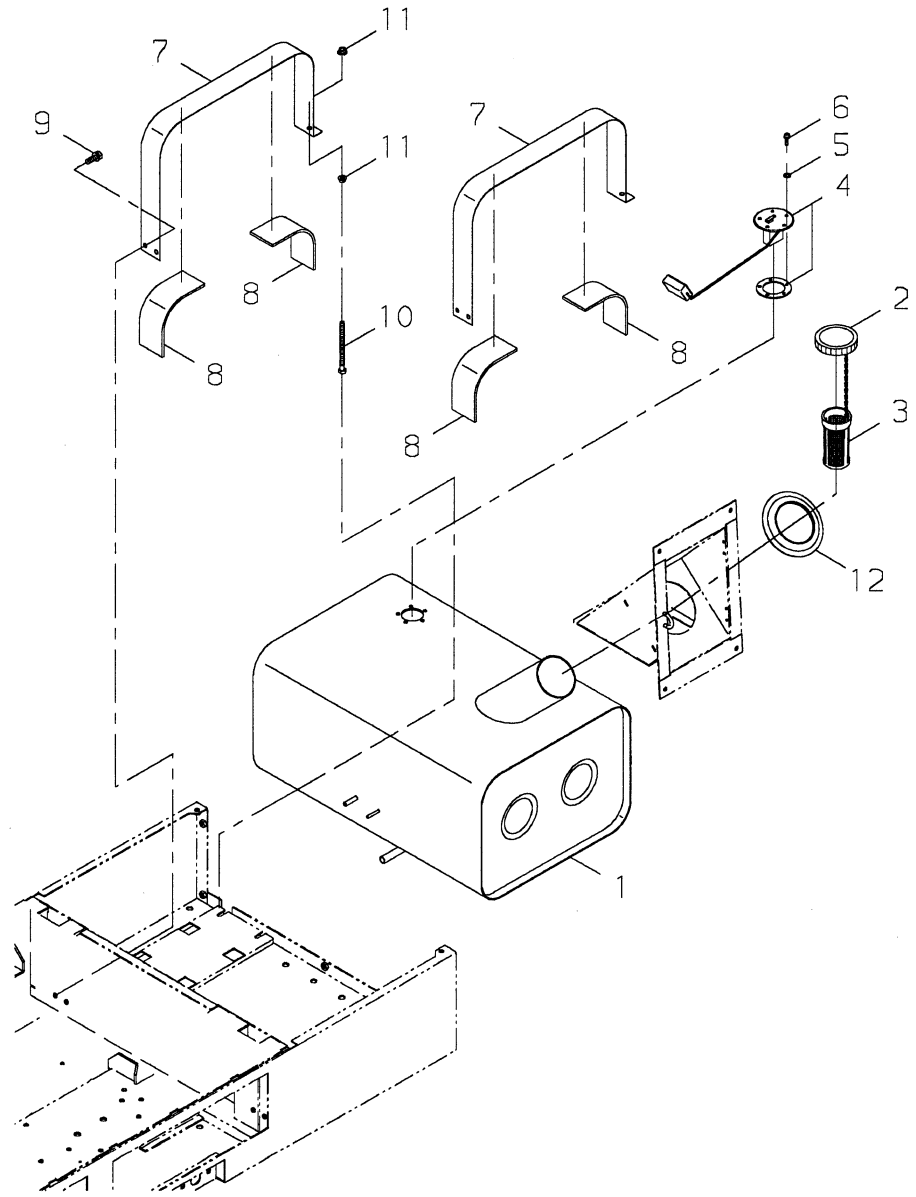
DGW500DM/ANZ

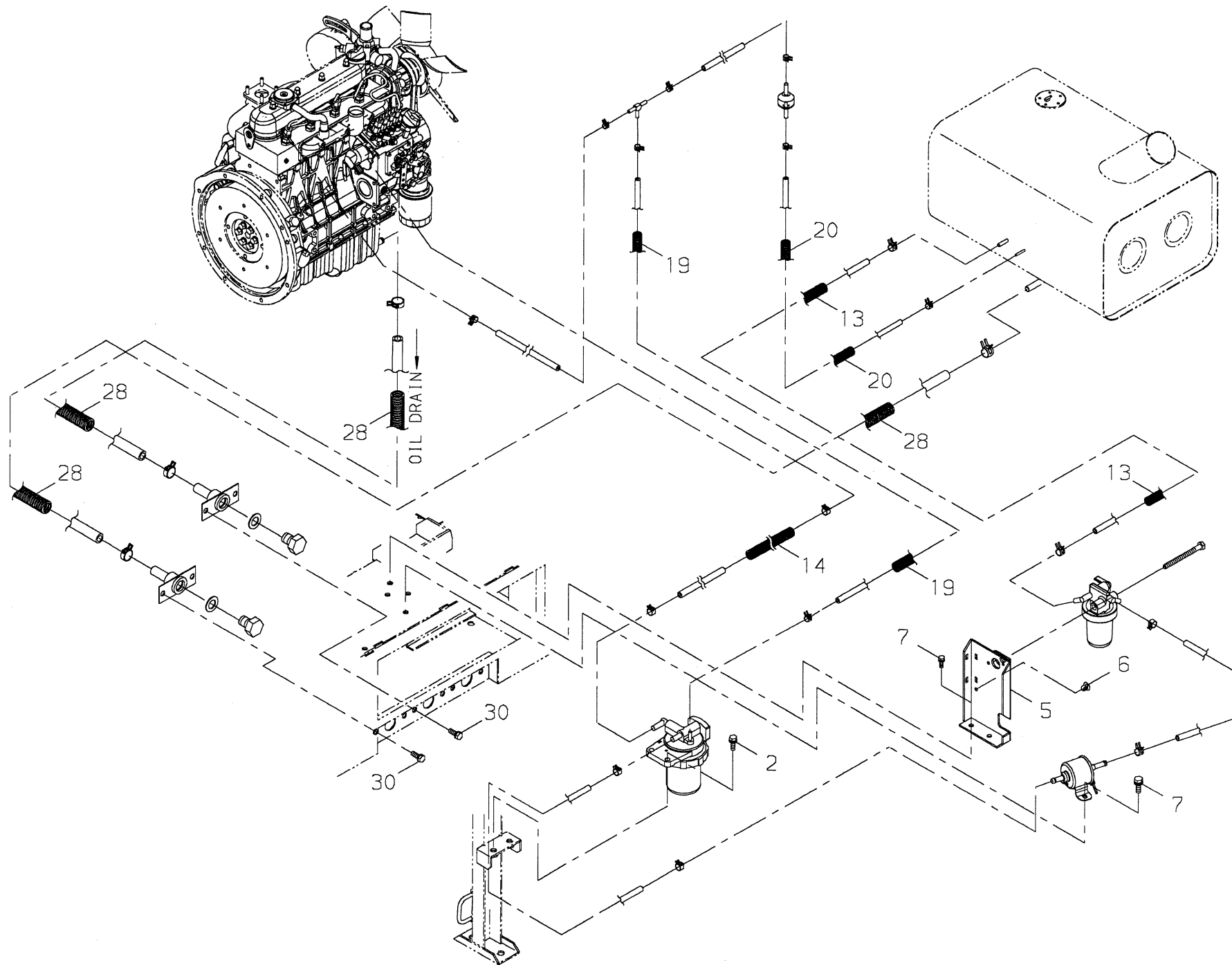
JUN. 2009

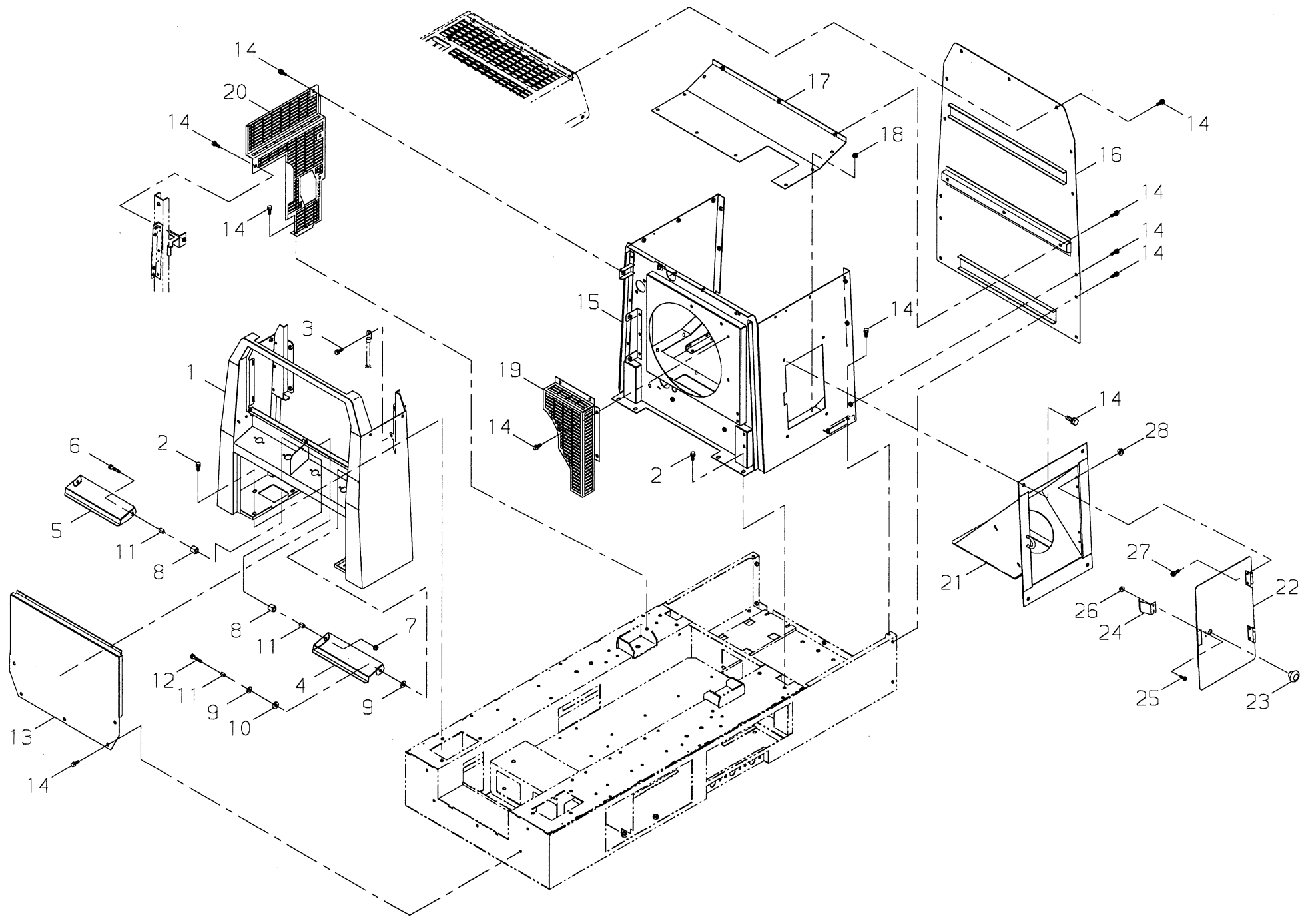
Printed in Japan

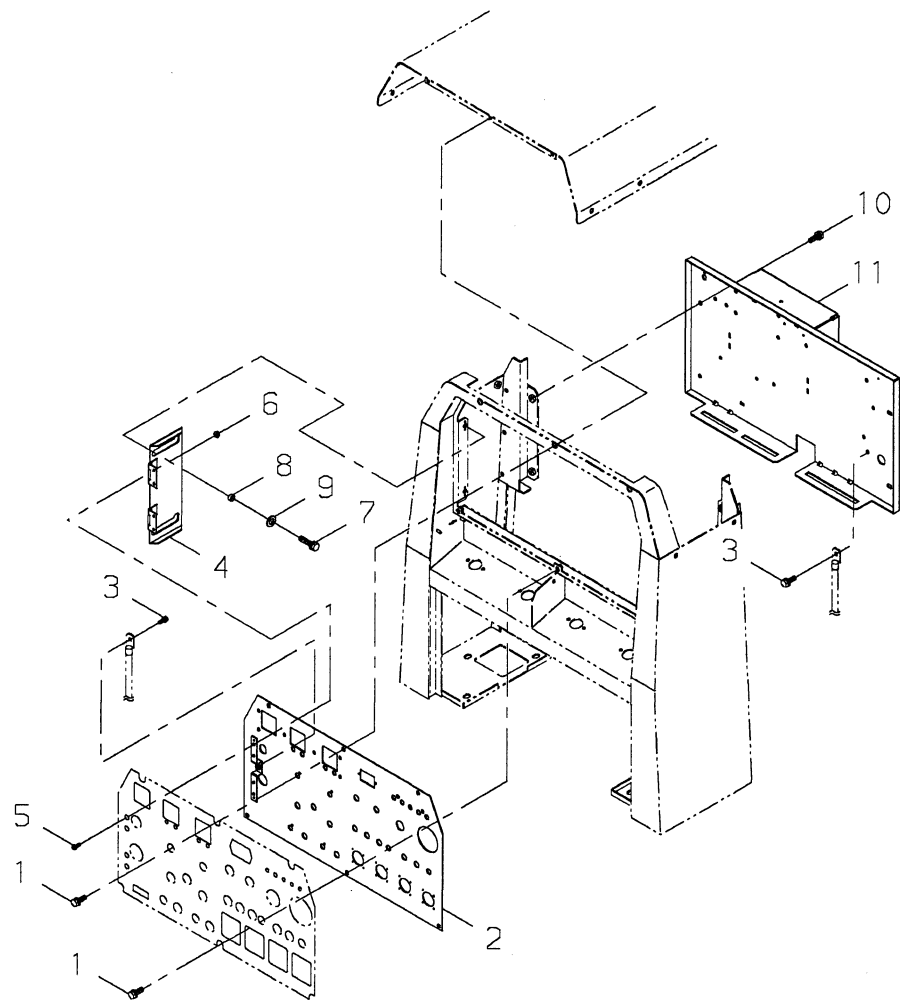


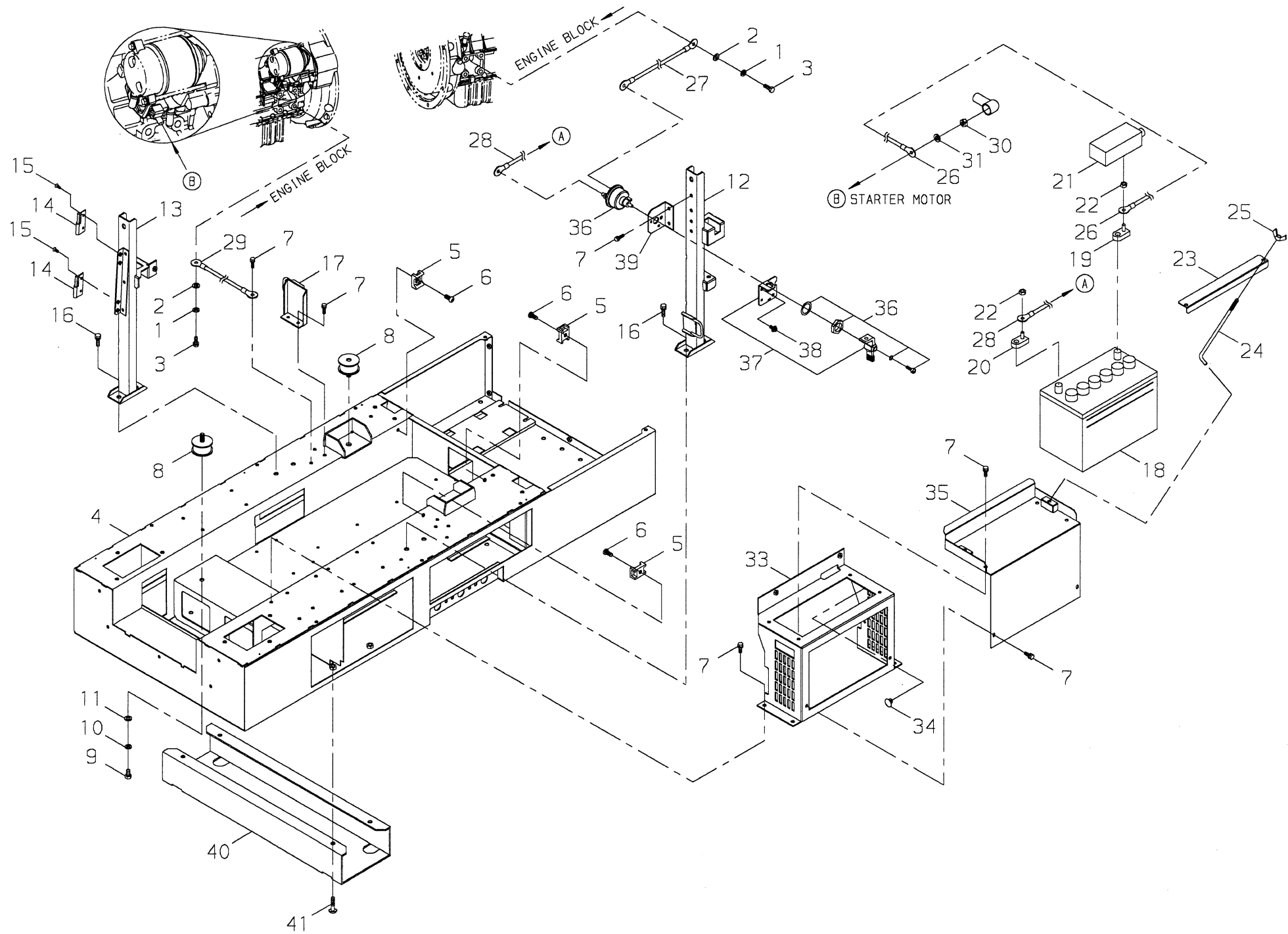






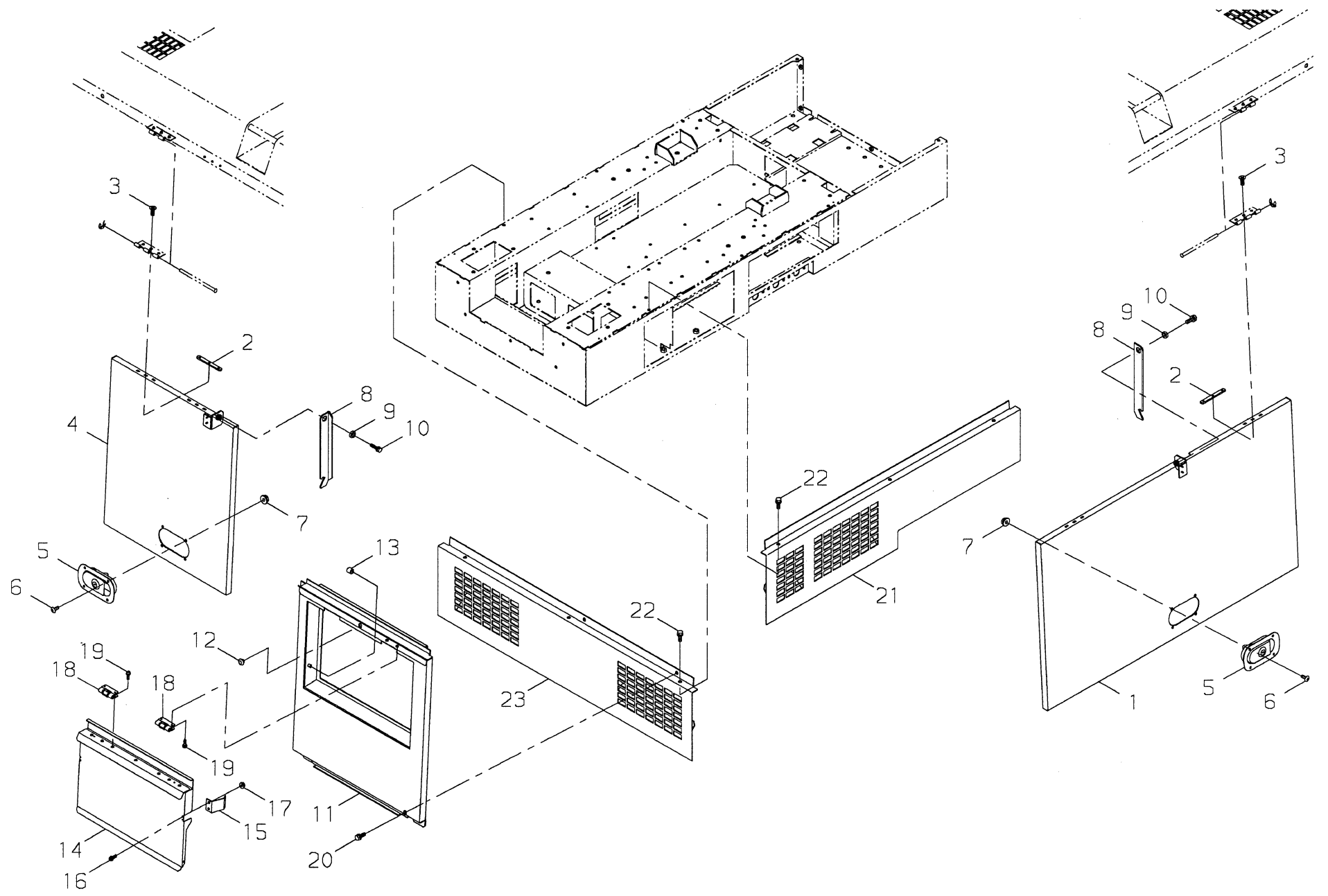


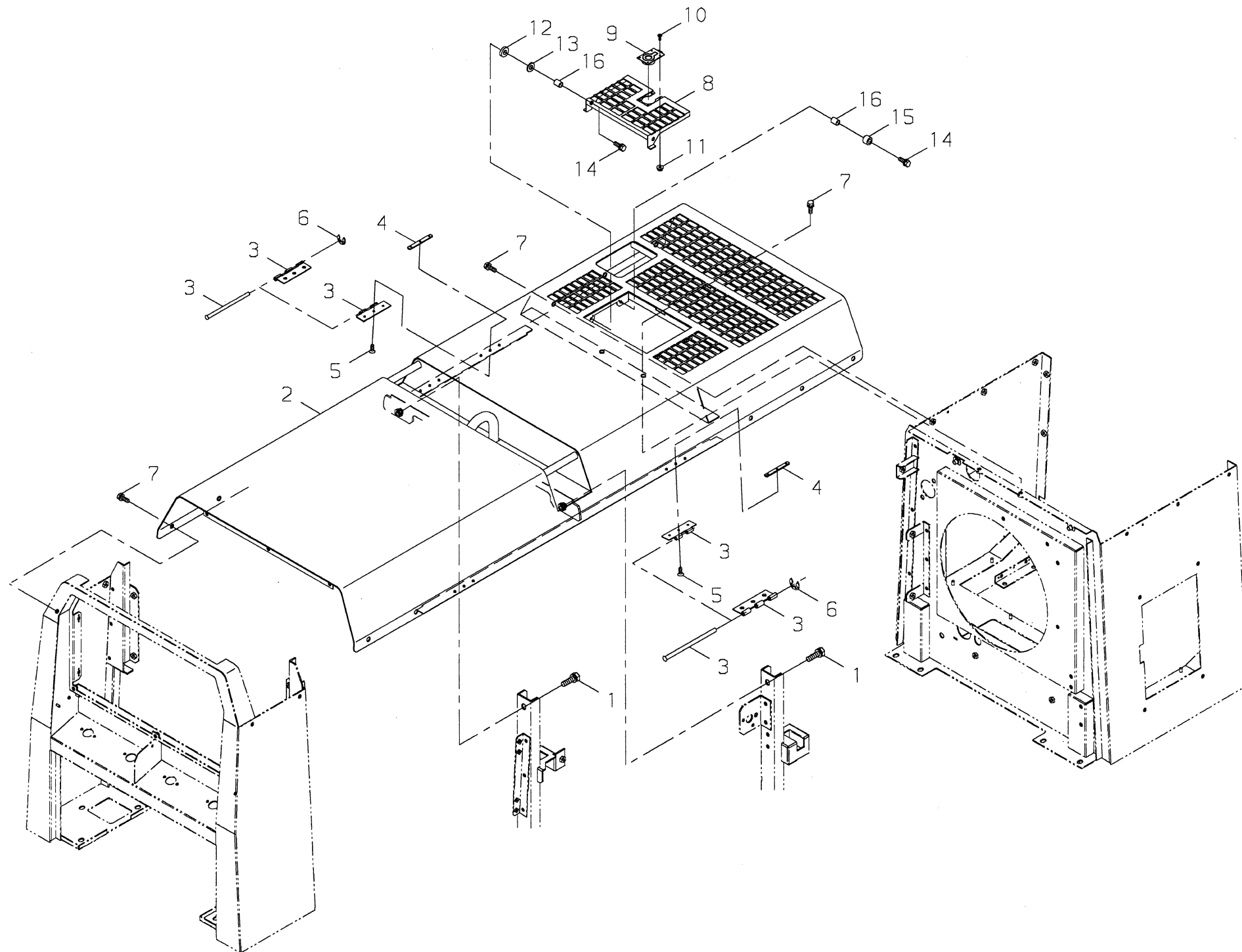


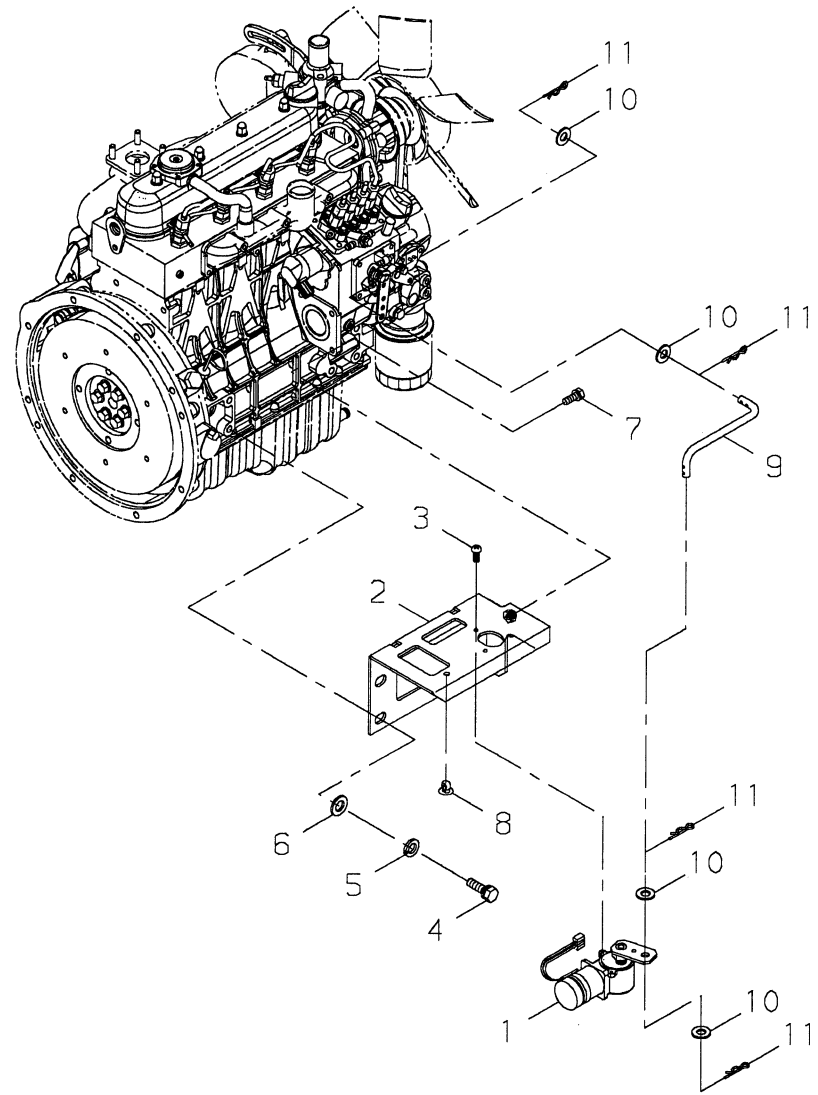


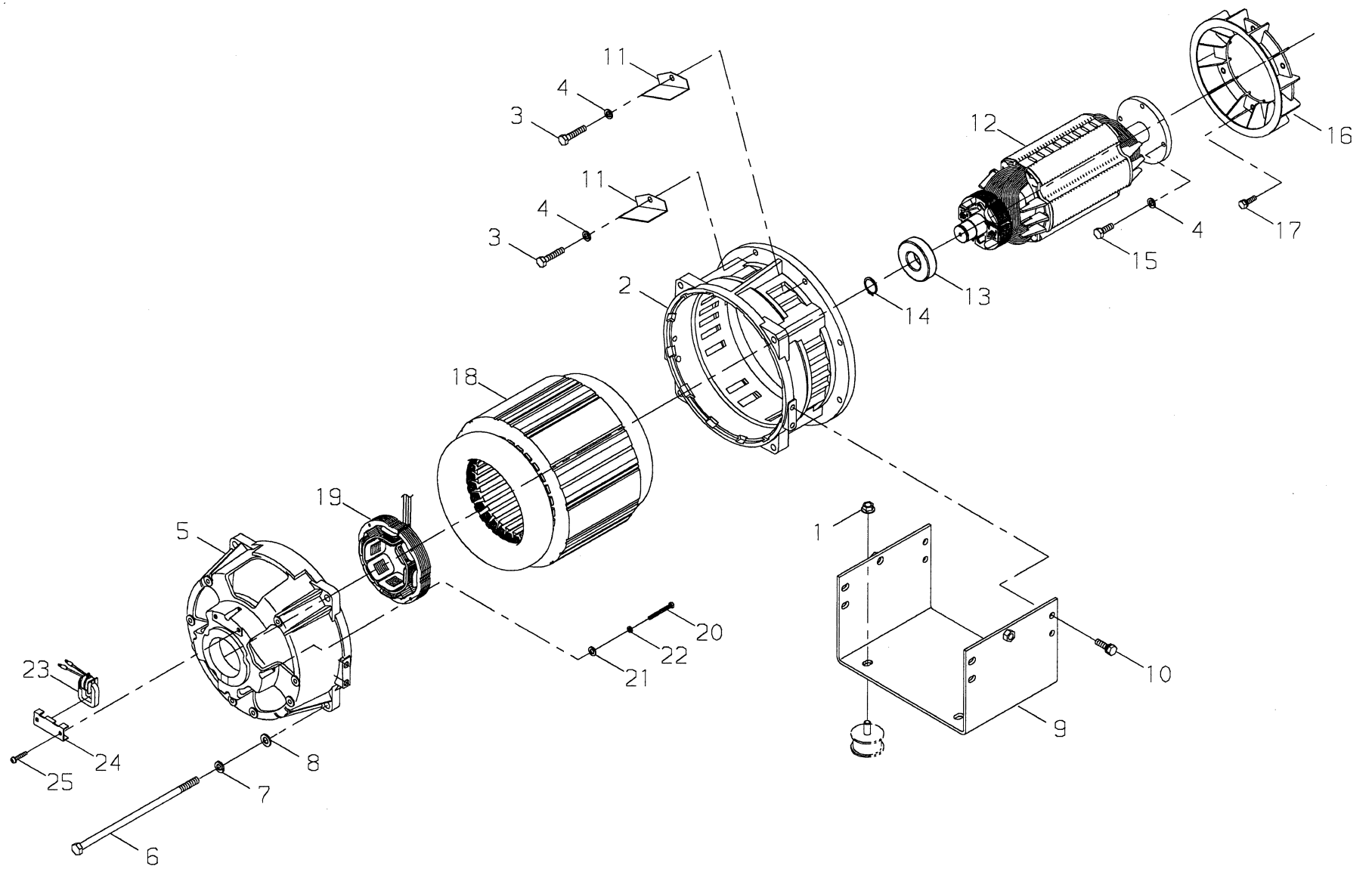
PRICE:(\\$)

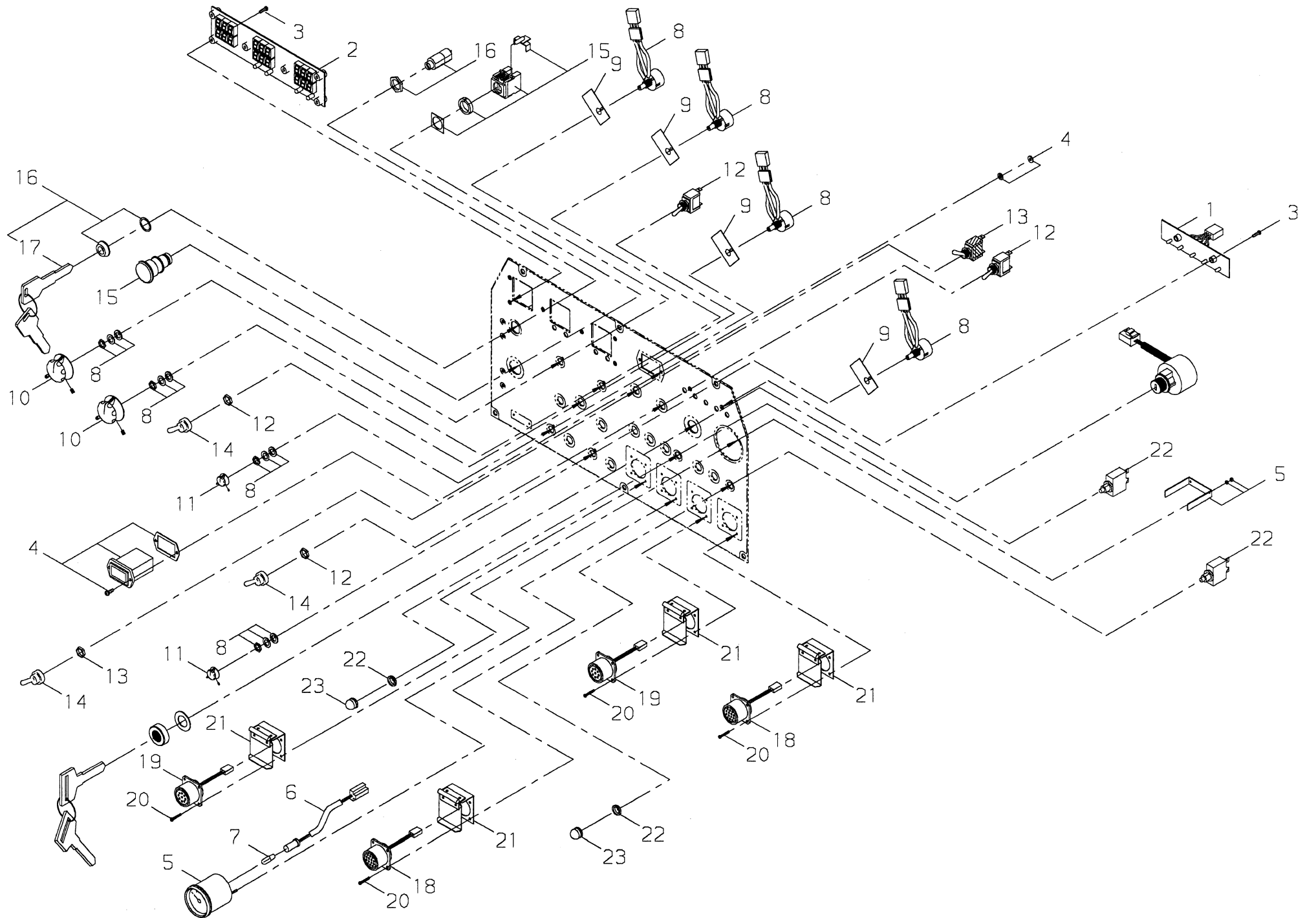
Ref. No.	Part No.	Part Name	Q`ty	Unit Price(\\$)	Remarks
7-1	01600-10251	SPRING WASHER	2		φ 1 0
2	01611-10200	WASHER	2		φ 1 0
3	01002-10161	BOLT	2		M 1 0 × 1 6
4	71923-21310	BED	1		
5	21945-21080	TIE MOUNT	3		
6	01210-06120	SCREW	3		M 6 × 1 2
7	11041-06168	BOLT FT SW	15		M 6 × 1 6
8	17003-33003	AV RUBBER	4		H s = 5 0
9	01000-12221	BOLT	2		M 1 2 × 2 2
10	01600-12301	SPRING WASHER	2		φ 1 2
11	01611-12250	WASHER	2		φ 1 2
12	71923-21422	STAND BAR RIGHT	1		
13	71923-21450	STAND BAR,LEFT	1		
14	21783-23310	HINGE	2		
15	01201-04100	SCREW	4		M 4 × 1 0
16	01013-10250	BOLT SW	4		M 1 0 × 2 5
17	71923-21460	DOOR CATCH	1		
18	05901-75364	BATTERY 75D31R	1		
19	05908-01003	TERMINAL	1		
20	05908-01008	TERMINAL	1		
21	05908-02000	TERMINAL CAP	1		
22	05908-03000	NUT	2		M 8
23	71923-28310	BATTERY STAY	1		
24	21995-28120	BOLT BATTERY	2		
25	01520-10822	WING NUT	2		M 8
26	14350-89100	LEAD WIRE	1		
27	14350-86000	LEAD WIRE	1		
28	14350-83200	LEAD WIRE	1		
29	14350-72000	LEAD WIRE	1		
30	01500-08061	NUT	1		M 8
31	01600-08201	SPRING WASHER	1		φ 8
33	71923-28320	BATTERY BED	1		
34	27731-21020	BAND STOPPER	2		
35	71923-28340	BATTERY TRAY	1		
36	71220-28310	BATTERY SWITCH	1		
37	71220-28320	SWITCH LEVER SET	1		
38	11217-05128	SCREW SLPW	2		M 5 × 1 2
39	71923-28370	SWITCH BRACKET	1		

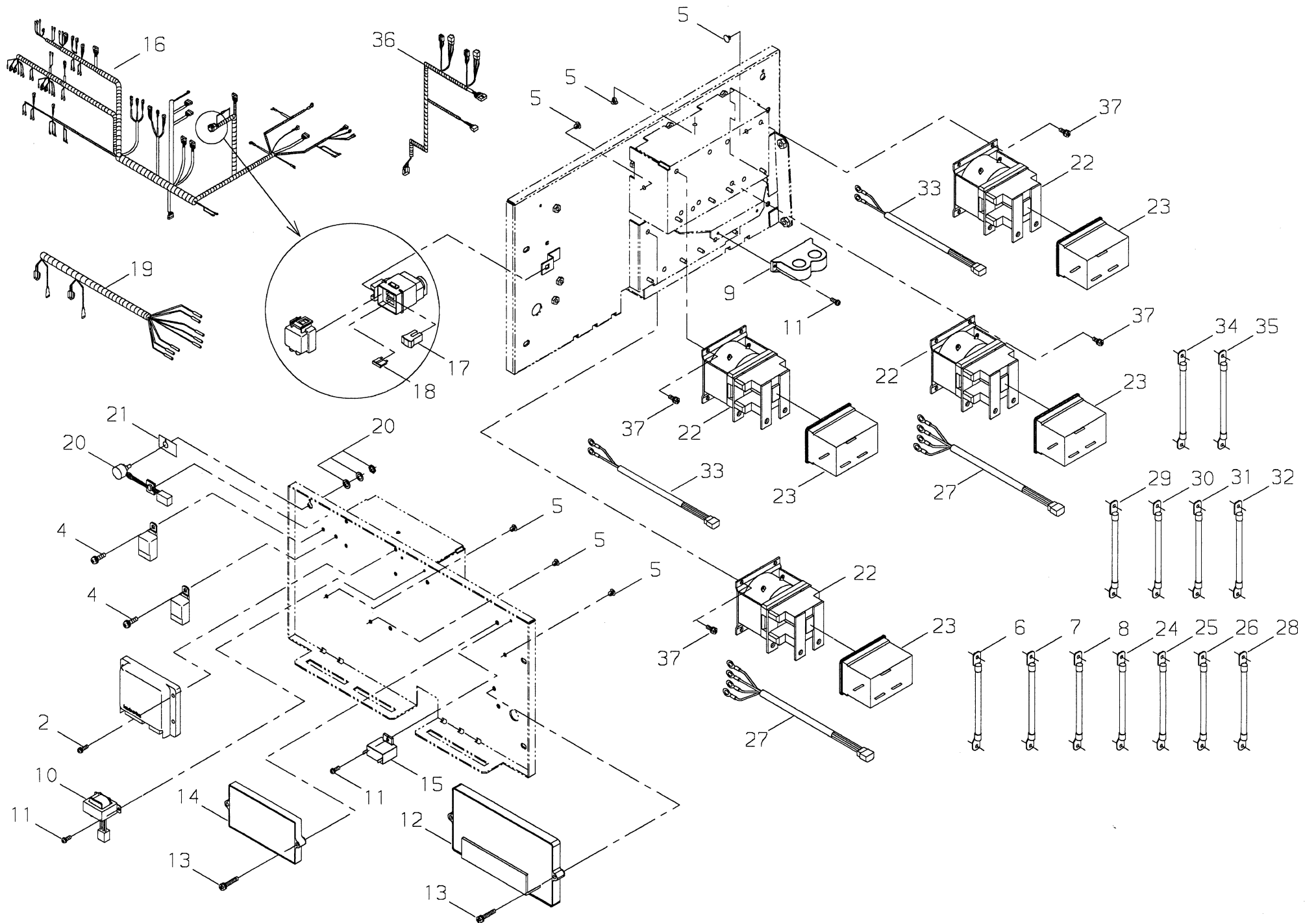






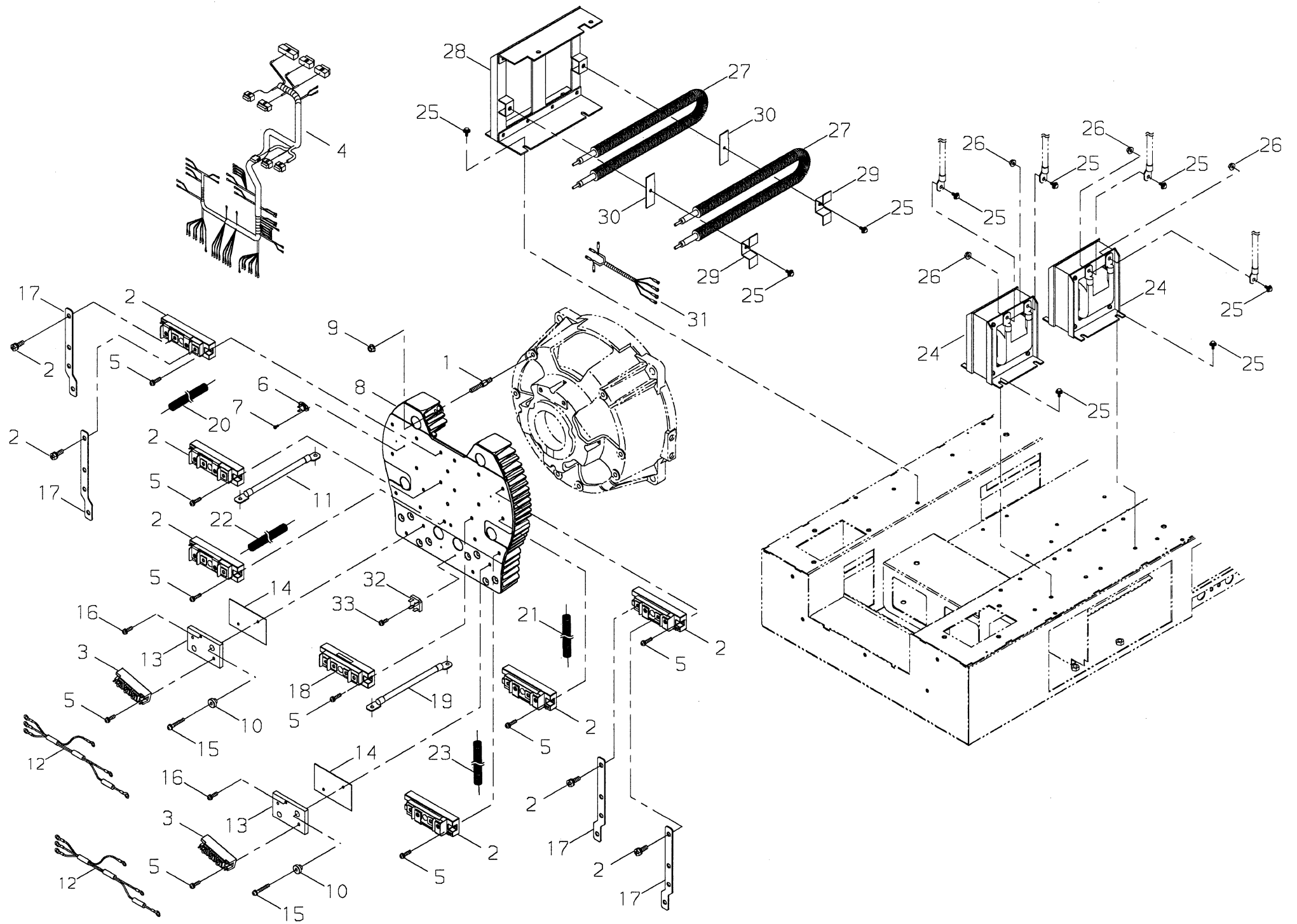






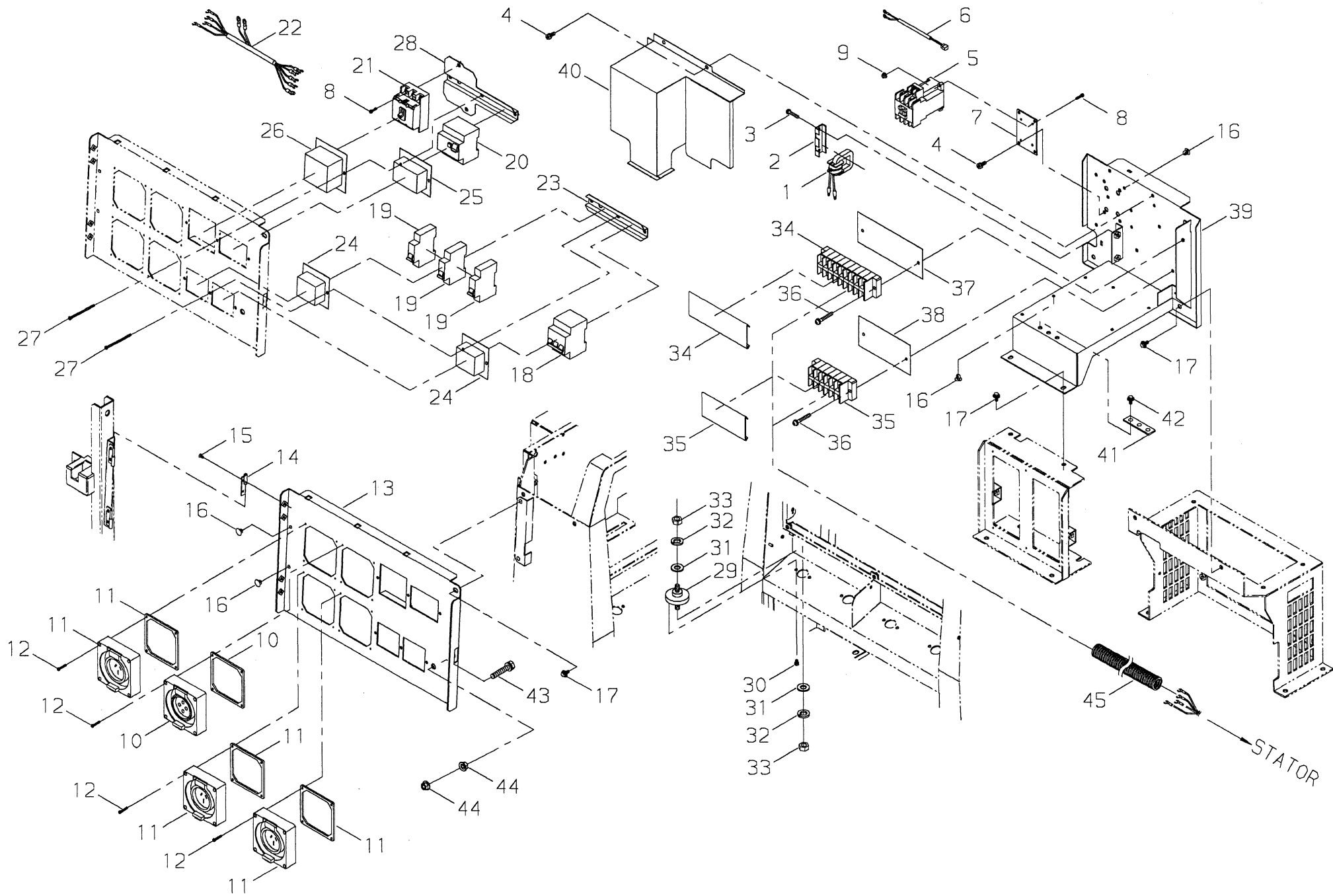
PRICE:(\\$)

Ref. No.	Part No.	Part Name	Q`ty	Unit Price(\$)	Remarks
13-2	01213-05200	SCREW SW	4		M5×20
4	01213-05160	SCREW SW	2		M5×16
5	27731-21020	BAND STOPPER	6		
6	14320-86800	LEAD WIRE	1		
7	14320-85601	LEAD WIRE	1		
8	14320-86801	LEAD WIRE	1		
9	71906-72110	CT	1		
10	71923-72320	TRANSFORMER COMP	1		
11	11270-04121	SCREW TAPPING	5		φ4×12
12	71923-75310	PRINTED CIRCUIT	1		
13	01017-05250	BOLT SW	4		M5X25
14	71923-75330	PRINTED CIRCUIT	1		
15	14102-10631	CONDENSER	1		
16	71923-78310	WIRING HARNESS ASSY	1		
17	05285-00600	FUSE	1		
18	05284-10200	FUSE	1		
19	71923-78350	WIRING HARNESS	1		
20	71923-81310	VOLUME COMP	1		
21	20929-81030	INS PAPER	1		
22	05290-27000	MAGNET SWITCH	4		
23	21590-82320	DUST COVER	4		
24	14320-84500	LEAD WIRE	1		
25	14320-85300	LEAD WIRE	1		
26	14320-87800	LEAD WIRE	1		
27	71923-82320	WIRING HARNESS	2		
28	14320-85501	LEAD WIRE	1		
29	14320-83900	LEAD WIRE	1		
30	14320-88500	LEAD WIRE	1		
31	14320-89001	LEAD WIRE	1		
32	14320-85800	LEAD WIRE	1		
33	21590-82350	WIRING HARNESS	2		
34	14320-89200	LEAD WIRE	1		
35	14320-82700	LEAD WIRE	1		
36	71923-82360	WIRING HARNESS	1		
37	01017-05128	BOLT SPW	12		M5×12



PRICE:(\$)

Ref. No.	Part No.	Part Name	Q`ty	Unit Price(\$)	Remarks
14-1	71923-31320	STUD BOLT	6		
2	14639-15500	THYRISTOR	6		
3	14636-80004	THYRISTOR	2		
4	71923-71321	WIRING HARNESS	1		
5	01213-06200	SCREW SW	25		M 6 × 2 0
6	71923-71331	THERMOSTAT	2		
7	01210-03060	SCREW	4		M 3 × 6
8	71923-71341	STACK FIN	1		
9	11500-06000	NUT	6		
10	14875-61000	INS RING	4		
11	14320-86700	LEAD WIRE	1		
12	71923-71350	WIRING HARNESS	2		
13	21944-71040	STACK PLATE	2		
14	71923-71360	SHEET	2		
15	01213-06250	SCREW SW	4		M 6 × 2 5
16	01213-06120	SCREW SW	2		M 6 × 1 2
17	71923-71370	BUS BAR	4		
18	14609-15500	RECTIFIER	1		
19	14320-61601	LEAD WIRE	2		
20	21000-15320	TUBE	1		L 1 5 0
21	71923-71380	TUBE	1		
22	71923-71390	TUBE	1		
23	20786-15460	TUBE	1		L 2 5 0
24	71923-72310	REACTOR	2		
25	11041-06168	BOLT FT SW	18		M 6 × 1 6
26	11526-06112	FLANGE NUT	4		M 6
27	20929-74020	RESISTOR	2		1.6 ohms
28	71923-74310	RESISTOR STAY	1		
29	20970-74341	RESISTOR STAY	2		
30	20970-74350	RESISTOR PLATE	2		
31	71923-74320	WIRING HARNESS	1		
32	14600-15008	RECTIFIER	2		GBPC-15-08
33	01213-04200	SCREW SPW	2		M 4 × 2 0



PRICE:(\$)

Ref. No.	Part No.	Part Name	Q`ty	Unit Price(\$)	Remarks
15-1	21780-72120	CT	1		
2	20930-72010	CORE PLATE	1		
3	01211-06250	SCREW SW	2		M 6 × 2 5
4	01017-05128	BOLT SPW	8		M5×12
5	71923-82400	MAGNET SWITCH	1		
6	71923-82420	WIRING HARNESS	1		
7	71923-82430	SWITCH PLATE	1		
8	01213-04200	SCREW SPW	6		M 4 × 2 0
9	11526-04112	FLANGE NUT	4		M 4
10	05201-43300	SOCKET	1		
11	05201-22206	SOCKET	3		
12	11270-03253	SCREW TAPPING	16		
13	71923-83351	CONTROL PLATE	1		
14	21783-26210	HINGE	2		
15	01201-04100	SCREW	4		M 4 × 1 0
16	27731-21020	BAND STOPPER	12		
17	11041-06168	BOLT FT SW	6		M 6 × 1 6
18	05280-54404	BREAKER	1		
19	05281-03303	CIRCUIT PROTECTOR	3		
20	71906-84400	LEAKAGE RELAY	1		
21	05280-54201	BREAKER	1		
22	71923-84320	WIRING HARNESS	1		
23	71923-84330	BREAKER STAY	1		
24	71906-84390	DUST COVER	2		
25	71923-84340	DUST COVER	1		
26	71923-84350	DUST COVER	1		
27	01210-04700	SCREW	6		M 4 × 4 7
28	71923-84360	RELAY STAY	1		
29	15201-00100	TERMINAL REST	4		
30	01015-05080	BOLT SW	8		M5X8
31	01613-12236	WASHER	8		φ 1 2
32	01600-12306	SPRING WASHER	8		
33	01500-12106	NUT	8		M 1 2
34	15241-49401	TERMINAL BLOCK	1		
35	15241-29403	TERMINAL BLOCK	1		
36	01213-05250	SCREW SPW	4		M 5 × 2 5
37	71923-86310	SHEET	1		
38	71923-86320	SHEET	1		

